

# SHARP



## User manual

AF-GS404A

Air Fryer

EN

BG

CS

DA

DE

EL

ES

ET

FI

FR

HR

HU

IT

LT

LV

NL

NO

PL

PT

RO

SK

SL

SR

SV

UA

\*Product images are for illustration purpose only. Actual product may vary.





### Attention:

Your product is marked with this symbol.

It means that used electrical and electronic products should not be mixed with general household waste. There is a separate collection system for these products.



[www.sharpconsumer.com/  
contact/](http://www.sharpconsumer.com/contact/)



[www.sharpconsumer.com/  
support/](http://www.sharpconsumer.com/support/)



[www.sharpconsumer.com/  
documents-of-conformity/](http://www.sharpconsumer.com/documents-of-conformity/)

## A. Information on Disposal for Users (private households)

### 1. In the European Union

Attention: If you want to dispose of this equipment, please do not use the ordinary dustbin!

Used electrical and electronic equipment must be treated separately and in accordance with legislation that requires proper treatment, recovery and recycling of used electrical and electronic equipment.

Following the implementation by member states, private households within the EU states may return their used electrical and electronic equipment to designated collection facilities free of charge\*.

In some countries\* your local retailer may also take back your old product free of charge if you purchase a similar new one.

\*) Please contact your local authority for further details.

If your used electrical or electronic equipment has batteries or accumulators, please dispose of these separately beforehand according to local requirements. By disposing of this product correctly you will help ensure that the waste undergoes the necessary treatment, recovery and recycling and thus prevent potential negative effects on the environment and human health which could otherwise arise due to inappropriate waste handling.

### 2. In other Countries outside the EU

If you wish to discard this product, please contact your local authorities and ask for the correct method of disposal.

For Switzerland: Used electrical or electronic equipment can be returned free of charge to the dealer, even if you don't purchase a new product.

Further collection facilities are listed on the homepage of [www.swico.ch](http://www.swico.ch) or [www.sens.ch](http://www.sens.ch).

## B. Information on Disposal for Business Users

### 1. In the European Union

If the product is used for business purposes and you want to discard it:

Please contact your SHARP dealer who will inform you about the take-back of the product. You might be charged for the costs arising from take-back and recycling. Small products (and small amounts) might be taken back by your local collection facilities.

For Spain: Please contact the established collection system or your local authority for take-back of your used products.

### 2. In other Countries outside the EU

If you wish to discard this product, please contact your local authorities and ask for the correct method of disposal.

For service, please refer to [www.sharpconsumer.com/contact/](http://www.sharpconsumer.com/contact/), for your warranty rights go to [www.sharpconsumer.com/support/](http://www.sharpconsumer.com/support/) or contact the retailer where you purchased your product.

Declarations of conformity are available from [www.sharpconsumer.com/documents-of-conformity/](http://www.sharpconsumer.com/documents-of-conformity/)

---


# CONTENTS

SAFETY INSTRUCTIONS.....	3
SPECIFICATIONS.....	6
AIR FRYER AND ACCESSORIES.....	7
CONTROL PANEL.....	8
BEFORE USING YOUR AIR FRYER .....	8
OPERATION INSTRUCTIONS.....	9
Automatic Cooking.....	9
Cook From Frozen .....	10
Pre-Heat.....	11
DIAL CONTROL .....	12
MAINTENANCE WHILE IN USE .....	12
CLEANING INSTRUCTIONS .....	12
STORAGE .....	12
TROUBLESHOOTING.....	13

## SAFETY INSTRUCTIONS

**When using an electrical appliance, basic safety precautions should always be followed, including the following:**

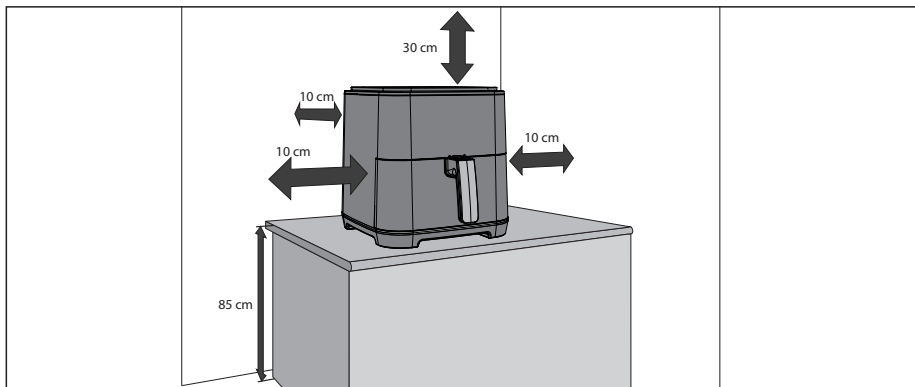
- Children should be supervised to ensure that they DO NOT play with the appliance.
- This appliance is not intended for use by persons (including children) with reduced physical, sensory or mental capabilities or lack of experience and knowledge, unless they have been given supervision or instruction concerning use of the appliance by a person responsible for their safety.
- Clean the air fry basket and inner pot with damp, soapy cloth. Make sure only use mild, soapy water.
- DO NOT clean with metal scouring pads. Pieces can break off the pad and touch electrical parts, creating a risk of electric shock. Damage to the surface will also occur.
- Dry the unit and all the assemblies with a soft cloth before storage or use.
- If there are any stains on the basket or inner pot which are too difficult to clean, let them soak in warm water for about 10 minutes before cleaning.
- The frying basket and inner pot can be cleaned in a dishwasher.
- DO NOT overfill when cooking. Overfilling may cause personal injury or property damage or affect the safe use of the appliance.
- DO NOT use oil or any other liquid in the inner pot.
- DO NOT use this appliance for deep-frying.
- Ensure that food is correctly prepared and cooked to avoid any danger to health.
- Prevent food contact with heating elements.
- ALWAYS ensure the appliance is properly assembled before use.

- 
- DO NOT place any of the following materials in the air fryer: cardboard, plastic, paper, or anything similar.
  - DO NOT store any materials, other than the supplied accessories, in the air fryer when not in use.
  - DO NOT use appliance for other than its intended use.
  - DO NOT use outdoors.
  - If any advice is required regarding this product, contact your Sharp Help Line
  - Only hold the appliance by the correct handles and use such heat protection measures such as gloves or potholders.
  - Read all of these instructions to ensure that you are familiar with the operation of this air fryer. DO NOT touch hot surfaces, where possible use handles or controls (dependent on model).
  - The use of accessory attachments not recommended by us as this may cause a hazard or injury.
  - This appliance is for HOUSEHOLD USE ONLY.
  - To prevent the inner pot dropping on the ground, put the inner pot on a stable surface before lifting the air fry basket.
  - When using ensure that the handle is pointing towards you.
  - CAUTION: The mark  means APPLIANCE SURFACES ARE HOT WHEN OR AFTER USE. DO NOT touch hot surfaces.
  - DO NOT cover the air intake vent or air exhaust vent while unit is operating. Doing so will prevent even cooking and may damage the unit or cause it to overheat.
  - DO NOT touch accessories during or immediately after cooking.
  - Extreme caution must be used when the appliance contains hot food. Improper use may result in personal injury.
  - Leave the unit after use so it has sufficient time to cool.
  - Let your air fryer cool before cleaning.
  - WARNING: As this air fryer gets hot during use and some surfaces may develop high temperatures. As people perceive temperatures, this device should be used with care.

- Wear protective insulated gloves when touching hot surfaces or hot air fry basket, inner pot, and food.
- When using this appliance, provide adequate space above and on all sides for air circulation. ALWAYS ensure that the inner pot is properly closed before operating.
- DO NOT allow the power cable to hang over edge of the work surface or touch hot surfaces.
- DO NOT operate appliance if the mains lead or plug is damaged in any way or after the appliance malfunctions or has been damaged in any other way.
- DO NOT replace or modify the mains cable or plug.
- DO NOT use an extension cord.
- Ensure that the mains socket/switch is accessible when the air fryer is in use.
- This air fryer is not intended to be operated by means of an external timer or separate remote-control system.
- Unplug from the mains supply when not in use, or before cleaning.
- When unplugging the power plug from the mains supply, always hold the plug, never pull the cord.
- When you have stopped using the air fryer, press the STOP/CANCEL button to return the standby mode, then unplug from the mains supply.
- To protect against electric shock, DO NOT immerse the air fryer into water or other liquids.
- DO NOT cover any part of the air fryer while it is operating, as this will cause it to overheat.
- DO NOT place the air fryer on any hot surfaces, near hot gas/ electric burners or in a heated oven.

- When operating the air fryer, keep at least 100mm of space on all sides to allow for adequate air circulation.

KEEP THESE INSTRUCTIONS IN A SAFE PLACE FOR FUTURE REFERENCE



## SPECIFICATIONS

Model name	GS404A
Air Fryer Power (W)	1300
Air Fryer Temperature Levels (Celsius)	80 °C to 200 °C
8 Automatic Programmes	Fries, Beef, Vegetables, Small Chicken, Bacon, Fish, Potato, Pizza
2 Functions	Pre-Heat, Cook from Frozen
Capacity (litres)	4.0
Control Panel	Digital with rotary control
Frying Basket Coating	Non stick
Frying Basket Size (Diameter x Height in mm)	Ø190 x 50
Inner Pot Coating	Non-stick
Inner Pot Size (Diameter x Height in mm)	200 x 120
Mains Lead Length (mm)	900
Noise Level (dB)	55 - 62
Power Consumption (W)	1300
Power Requirements	220-240V 50 Hz
Standby Power Consumption (W)	<0.5
Size (W x H x D in mm)	261 x 338 x 327
Weight (kg)	4.5

This product complies with relevant Regulations and Standards for the UK and EU.

AS PART OF A POLICY OF CONTINUOUS IMPROVEMENT, WE RESERVE THE RIGHT TO ALTER DESIGN AND SPECIFICATIONS WITHOUT NOTICE.



## AIR FRYER AND ACCESSORIES

**Please familiarize yourself with the following Air Fryer functions and accessories prior to first use:**

**Inner pot:** Place the frying basket onto the inner pot, and then put the inner pot into the air fryer.

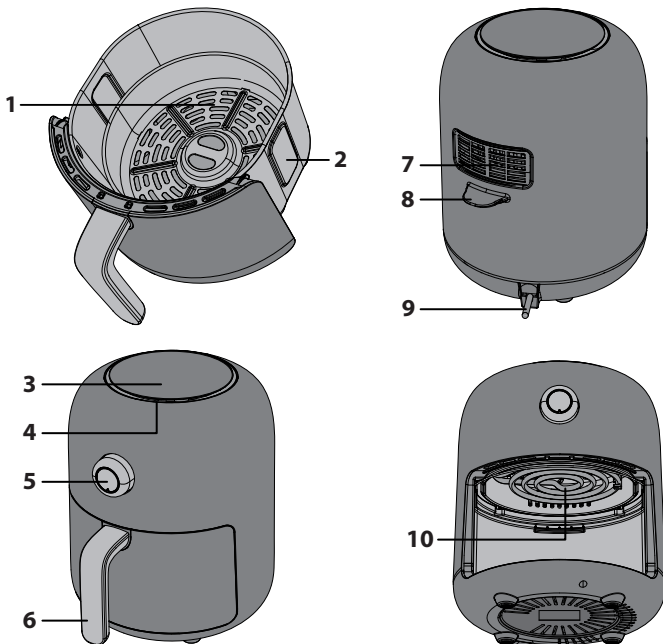
**Frying basket:** Place the food in the frying basket and then put the frying basket into the inner pot to cook.

**NOTE:** to prevent the inner pot dropping on the ground, put the inner pot on a stable surface before lifting out the frying basket.

**Air exhaust vent:** There will be hot steam venting from the exhaust vent during use (this is normal), keep your hands and face away from the air exhaust vent when cooking to prevent scalding.

**Handle:** This is used for moving the inner pot and frying basket in and out of the air fryer.

1. Air Frying Basket
2. Inner Pot
3. Control Panel
4. Air Intake
5. Jog Dial
6. Frying Basket Handle
7. Air Exhaust Vent
8. Holding Handle
9. Mains Lead
10. Heating Element



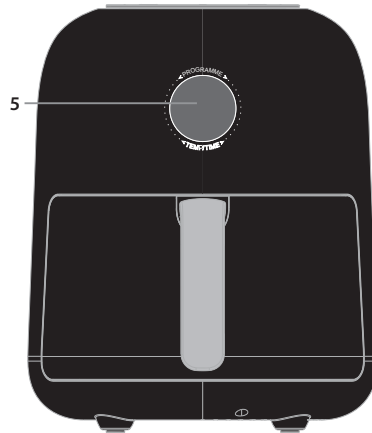
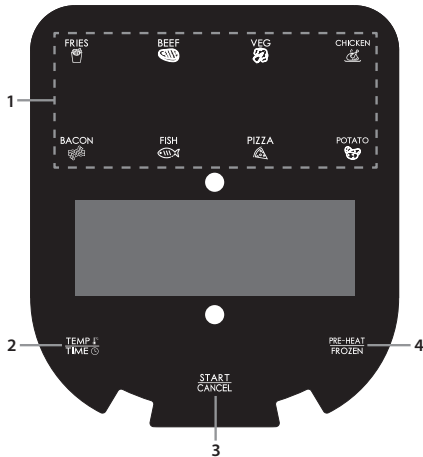
### AIR FLOW DIRECTION

When cooking, the hot air from the element is moved around as shown in the picture below. This ensures that your food is cooked evenly at the set temperature and time period. Do not use any materials such as metal foil which may obstruct this air flow or over fill the frying basket.



## CONTROL PANEL

1. **Auto Cook buttons** – Automatic cooking programmes, select from 8 options.
2. **Temperature/Time** – Use this button to control the temperature and time manually.
3. **Start/Cancel** – Start the operation of the Air Fryer or cancel/pause operation.
4. **Pre-Heat/Frozen** – For preheating the Air Fryer to the correct cooking temperature or cooking from frozen.
5. **Dial Control** – Used to adjust the time and temperature.



## BEFORE USING YOUR AIR FRYER

Before using your air fryer for the first time, it is recommended that after you have fully unpacked and removed any packaging that the inner pot and frying basket are cleaned in hot soapy water or in dishwasher. Then thoroughly dry all accessories and re-assemble in Air Fryer. Wipe the outer body and inner parts with damp cloth and dry before using.

Plug into the mains supply and set the unit to cook Fries (do not put any food into the unit). This will turn the unit on at 180°C for 23 minutes, allowing any residue which may have adhered to the heating element during manufacture to dissipate.

It is advised to fully read these instructions before use.

# OPERATION INSTRUCTIONS

**Your Air Fryer has several modes of operation:**

**Automatic cooking** – select one of the 8 pre-programmed cooking options.

**Cook from Frozen** – Cook from frozen (Vegetables, Pizza, and Fries only).

**Pre-Heat** – Make sure that your Air Fryer is at the correct temperature before cooking.

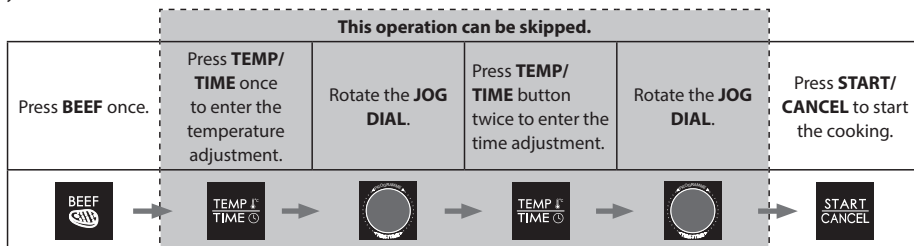
## Notes on cooking

- The amount of the food should not fill more than the 4/5 of total amount of the air fry basket.
- The cooking temperature and time can be adjusted during the cooking.
- To pause the cooking, pull the inner pot out of the unit; when pushed back in the unit will start automatically.
- To cancel the cooking, press the "START/CANCEL" button twice.
- Some food will need to be stirred/shaken during the cooking: Pull the inner pot out of the unit, stir/shake as necessary and then return the inner pot to the Air Fryer; the Air Fryer will restart automatically.
- Make sure that the food has cooked correctly. If the food is undercooked, then return to the air fryer and cook for longer.
- To prevent the inner pot dropping on the ground, put the inner pot on a stable and heat proof surface before lifting out the basket.
- Only cook food in this air fryer.
- DO NOT use for deep fat frying.

## Automatic Cooking

For your ease and convenience there are 8 automatic cooking programmes. These are easily accessed via the dedicated buttons on the control panel.

In the example below, beef is being cooked. It is not necessary to adjust the temperature or time unless you would like your food cooked more or less.



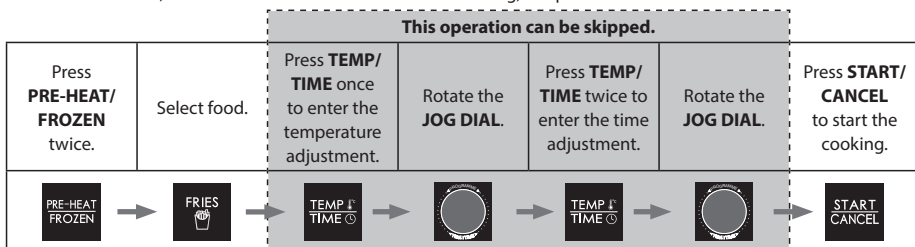
1. Evenly place the food to be cooked in the frying basket.
2. Place the frying basket into the inner pot. Insert the inner pot into the air fryer.
3. Plug the air fryer into mains supply.
4. Select the desired food by pressing the auto cook button on the control panel. The default temperature and time will blink in the LED display.
  - a. If needed, press the "TEMP/TIME" button once, and then rotate the **JOG DIAL** to set the desired cooking temperature.
  - b. If needed, press the "TEMP/TIME" button twice, and then rotate the **JOG DIAL** to set the desired cooking time.
5. Press "START/CANCEL" button once to start the cooking; the time counts down.
6. When the cooking is complete the air fryer will make a sound, and the unit returns to standby mode.
7. Pull out the inner pot with care and take the food out of the air fry basket immediately or the heat remaining in the air fryer will continue to cook and dry out your food.

**Note:** If you are changing the cooking time for the auto cook foods it is only possible to increase the maximum by 30%. This is to avoid the potential of burning your food.

Food	Weight	Initial Food Temperature	Cooking Time	Maximum Extra Time	Turn Over	Cook From Frozen Time	Temperature	Comments
Fries	200g to 500g	Room temperature	15 to 20	23	Yes	26	180	Do not overload the pot
Beef	150g to 500g		8 to 12	16	Yes	-	200	Upto 270g of beef steak can be cooked
Vegetable	100g to 400g		10	13	Yes	14	190	Cut up vegetables into pieces 2 x 3cm
Chicken	800g to 1000g		30	39	Yes	-	190	Whole chicken or large pieces
Bacon	4 to 6 rashers		9	12	-	-	180	Evenly space the rashers of bacon in the frying basket
Fish	100g to 500g		12	16	Yes	-	200	Place fish pieces directly onto the base of the frying basket
Potato	250g each		40	52	Yes	-	200	Place up to 3 potatoes of 250g each into the frying basket
Pizza	100g to 400g		13	17	-	18	160	Place whole or pizza pieces directly onto the base of the frying basket

## Cook From Frozen

To cook from frozen, follow the instructions for automatic cooking, but press the **"FROZEN"** button first.



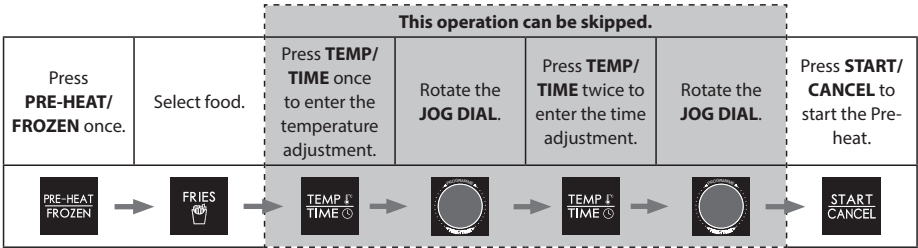
- Evenly place the food to be cooked in the frying basket.
- Place the frying basket into the inner pot. Insert the inner pot into the air fryer.
- Plug the air fryer into mains supply.
- Press the **"PRE-HEAT/FROZEN"** button twice.
- Select the desired function by pressing the function button on the control panel. The default temperature and time will blink in the LED display.
  - If needed, press the **"TEMP/TIME"** button once, and then rotate the **JOG DIAL** to set the desired cooking temperature.
  - If needed, press the **"TEMP/TIME"** button twice, and then rotate the **JOG DIAL** to set the desired cooking time.
- Press **"START/CANCEL"** button once to start the cooking; the time counts down.
- When the cooking is complete, the unit will make a sound, and return to the standby mode.
- Press the open button and pull out the inner pot handle with care and take the food out.

Cooking from frozen is only possible for **FRIES, VEGETABLES** and **PIZZA**.

For cooking of other frozen foods, please refer to the manual cooking advice.

## Pre-Heat

To ensure that your Air Fryer is at the correct temperature for cooking your food, there is a pre-heat function which can be used before auto and manual cooking functions. Just press the pre-heat button once before selecting any other function.



- Place the frying basket into the inner pot. Insert the inner pot into the air fryer.
- Plug the air fryer into mains supply.
- Press the **PRE-HEAT/FROZEN** button once.
- Select the desired food by pressing the relevant auto cook button on the control panel. The default temperature and time will blink in the LED display.
  - If needed, press the "**TEMP/TIME**" button once, and then rotate the **JOG DIAL** to set the desired cooking temperature.
  - If needed, press the "**TEMP/TIME**" button twice, and then rotate the **JOG DIAL** to set the desired cooking time.
- Press the "**START/CANCEL**" button.
- When the unit has reached the correct pre-heat temperature it will make a sound.
- Take out the inner pot and evenly place the food to be cooked in the frying basket.
- Return the inner pot/frying basket to the air fryer.
- The Air Fryer will start automatically and the time counts down.
- When the cooking is complete, the unit will make a sound, and returns to the standby mode.
- Pull out the inner pot and remember to handle with care and take the food out of the air fry basket immediately or the heat remaining in the air fryer will continue to cook and dry out your food.

## DIAL CONTROL

The dial control knob on your Air Fryer has several functions, some of these duplicate the buttons on the control panel.

When the Air Fryer is plugged into the mains supply it will enter the function setting mode and display the temperature and time for the first auto programme mode.

To select the desired auto menu, turn the knob, then press the center of the knob to confirm once your menu name is flashing. If the temperature and time shown in the display is suitable, press the **"START/CANCEL"** button on the top control panel to start cooking.

If required, you can adjust the cooking temperature and time of the selected menu, before pressing the **"START/CANCEL"** button to start cooking.

1. Press the knob and the temperature display will start to flash.
2. Turn the knob to set your desired cooking temperature.
3. Press the knob to confirm the temperature setting. The time digits will now flash.
4. Turn the knob to set the desired cooking time.
5. Press the center of the knob to start the cooking process.

To cancel cooking, press the center of the knob.

## MAINTENANCE WHILE IN USE

This appliance requires little maintenance when in use. Clean your Air Fryer after every use to prolong its useable lifetime.

This Air Fryer contains no user serviceable parts. Do not try to repair it yourself. In the unlikely event of failure, contact the SHARP Call Centre using the details at the start of this User Manual.

## CLEANING INSTRUCTIONS

**CAUTION:** To protect against electrical shock, DO NOT IMMERSE THE AIR FRYER IN WATER OR ANY OTHER LIQUIDS. Your air fryer should be cleaned regularly for best performance and long life. Regular cleaning will also reduce the risk of fire. To clean follow the instructions as below:

1. Remove mains plug from electrical outlet. Allow your Air Fryer to cool down.
2. Clean the air fry basket and inner pot with damp, soapy cloth. Make sure to only use mild, soapy water. If the stains in the basket or inner pot are too difficult to clean, let them soak in warm water for about 10 minutes.
3. Clean the heating elements with dry and soft cloth.
4. Wipe the outside of your air fryer with a soft, damp cloth, then dry.

**CAUTION:** DO NOT USE ABRASIVE CLEANERS OR ANY TYPE OF SCOURING MATERIAL on the surface of the frying basket and inner pot. Make sure to only use mild, soapy water. Abrasive cleaners, scrubbing brushes and chemical cleaners will damage the coating on this unit.

Other than the recommended cleaning, no further user maintenance should be necessary.

Any other servicing should be performed by an authorized service representative.

## STORAGE

Unplug unit, allow it to cool, and clean before storing. Store the air fryer in its box in a clean, dry place. Never store appliance while it is hot or still plugged in. Never wrap cord tightly around the Air Fryer. Do not put any stress on the cord where it enters the unit, as it could cause the cord to fray and break.

If storing the air fryer for long periods of time, make certain that the air fryer is clean and free of food particles. Store the air fryer in a dry location such as on a table or countertop or cupboard shelf.

## TROUBLESHOOTING

If you are experiencing issues with your air fryer, follow the guidance below.

The Air Fryer does not work	The appliance is either not plugged in or switched on.	Make sure the mains plug is inserted in an electrical wall socket and is switched on.
	You have not set the time or temperature.	Set the time and temperature and then press <b>"START/CANCEL"</b> .
	The inner pot is not properly locked into the unit	Push the inner pot into the Air Fryer so it "clicks".
The ingredients fried with the Air Fryer are not done.	There is too much food in the frying basket.	Put smaller batches of ingredients in the frying basket. Smaller batches are fried more evenly.
	The set temperature is too low.	Adjust the temperature to the required temperature setting.
	The cooking time is too short.	Adjust the timer to the required preparation time.
Fried snacks are not crispy when they come out of the Air Fryer.	You used a type of snack meant to be prepared in a traditional deep fryer.	Use snacks made to be prepared in the oven, or lightly brush some oil onto the snacks for a crispier result.
It is difficult or not possible to slide the inner pot and frying basket into the appliance properly.	There is too much food in the frying basket.	Do not over fill the frying basket.
	The frying basket is not placed properly into the inner pot	Push the frying basket down into the inner pot until you hear a slight click.
White smoke comes out of the appliance.	You are preparing greasy ingredients.	When you fry greasy ingredients in the Air Fryer, a large amount of oil will leak into the pan. This oil may white smoke and the pan may heat up more than usual. This does not affect the appliance or the end result.
	The pan still contains grease residues from previous use.	White smoke is caused by grease heating up in the inner pot; make sure you clean the frying basket and inner pot thoroughly after each use.
Fresh fries are fried unevenly in the Air Fryer.	You did not use the right type of potato.	Use fresh potatoes and make sure they stay firm during frying.
	You did not rinse the potato sticks properly before you fried them.	Rinse the potato sticks thoroughly to remove starch from the outside of the sticks.
Fresh fries are not crispy when they come out of the Air Fryer.	The crispiness of the fries depends on the amount/type of oil and water in the fries.	Make sure you dry the potato sticks properly before you add the oil.
		Cut the potatoes into thinner sticks for a crispier result.
		Add slightly more oil for a crispier result.

Should you still have issues, please contact the SHARP Call Centre using the details at the start of this User Manual.



### Внимание:

Вашият продукт е маркиран с този символ.

Това означава, че излезлите употреба електрически и електронни уреди не трябва да се смесват с общите битови отпадъци. Има отделна система за събиране на тези продукти.



[www.sharpconsumer.com/contact/](http://www.sharpconsumer.com/contact/)



[www.sharpconsumer.com/support/](http://www.sharpconsumer.com/support/)



[www.sharpconsumer.com/documents-of-conformity/](http://www.sharpconsumer.com/documents-of-conformity/)

## А. Информация за извеждане от употреба (частни домакинства)

### 1. В Европейския съюз

Внимание: Ако желаете да изхвърлите този уред, моля не използвайте обикновена кофа за боклук.

Използваното електрическо оборудване трябва да бъде поставено отделно съгласно законодателството, което изисква правилно третиране, оползотворяване и рециклиране на излязлото от употреба електрическо и електронно оборудване.

Следвайки практиката на страните-членки, частните домакинства в ЕС могат връщат своите излезли от употреба електрически и електронни уреди на определени места за безплатно събиране.

В някои страни\* местният търговски представител може да вземе Вашия стар уред безплатно при покупката на нов продукт.

\*) За повече информация можете да се обърнете към местните власти.

Ако Вашите електрически или електронни уреди имат батерии или акумулатори, е необходимо да ги изхвърлите отделно, съгласно местните изисквания. Чрез правилното извеждане на този продукт от експлоатация, Вие подпомагате преработката на отпадъци, тяхното оползотворяване и рециклиране. По този начин се предотвратяват възможните негативни въздействия върху околната среда и човешкото здраве, които биха могли да възникнат при неправилно изхвърляне.

### 2. В страни извън ЕС

Ако искате да изхвърлите този продукт, моля свържете се с местните власти и разберете правилния начин за изхвърляне.

За Швейцария: Излязлото от употреба електрическо и електронно оборудване може да бъде върнато на търговеца и без да се купува нов продукт. Допълнителните съоръжения за събиране са изброени на началната страница на [www.swico.ch](http://www.swico.ch) или [www.sens.ch](http://www.sens.ch).

## Б. Информация за изхвърляне и преработка от промишлени потребители

### 1. В Европейския съюз

Ако продуктът е бил използван за стопански цели и искате да го изхвърлите:

За информация относно обратно приемане на продукта се обърнете към най-близкия представител на SHARP. Възможно е да бъдете таксувани за разходите, произтичащи от обратно приемане и рециклиране. Малки продукти (и малки количества) биха могли да бъдат взети обратно от местния пункт за събиране.

За Испания: Моля, свържете се с установената система за събиране, или се обърнете към местните власти за обратно приемане на Вашите употребявани продукти.

### 2. В страни извън ЕС

Ако искате да изхвърлите този продукт, моля свържете се с местните власти и разберете правилния начин за изхвърляне.

При необходимост от обслужване, посетете [www.sharpconsumer.com/contact/](http://www.sharpconsumer.com/contact/). За да научите повече относно гаранционните си права, отидете на [www.sharpconsumer.com/support/](http://www.sharpconsumer.com/support/) или се свържете с местния търговски представител.

Можете да намерите декларациите за съответствие на [www.sharpconsumer.com/documents-of-conformity/](http://www.sharpconsumer.com/documents-of-conformity/)



# СЪДЪРЖАНИЕ

УКАЗАНИЯ ОТНОСНО БЕЗОПАСНОСТТА .....	3
ХАРАКТЕРИСТИКИ .....	7
ФРИТЮРНИК С ГОРЕЩ ВЪЗДУХ И АКСЕСОАРИ .....	8
ПАНЕЛ ЗА УПРАВЛЕНИЕ .....	9
ПРЕДИ ПЪРВОНАЧАЛНА УПОТРЕБА.....	9
УКАЗАНИЯ ЗА РАБОТА.....	10
Автоматично готвене.....	10
Готвене на замразени храни.....	11
Предварително затопляне .....	12
РОТАЦИОНЕН СЕЛЕКТОР .....	12
ПРОФИЛАКТИКА И ПОДДРЪЖКА .....	13
УКАЗАНИЯ ЗА ПОЧИСТВАНЕ.....	13
СЪХРАНЕНИЕ .....	13
ОТСТРАНЯВАНЕ НА НЕИЗПРАВНОСТИ.....	14

## УКАЗАНИЯ ОТНОСНО БЕЗОПАСНОСТТА


**При използване на електрически уреди е необходимо винаги да бъдат следвани основни правила за безопасност, включващи:**

- Децата трябва да бъдат наблюдавани, за да НЕ СИ ИГРАЯТ с уреда.
- Уредът не е предназначен да бъде използван от лица (включително деца) с намалени физически, сетивни или умствени способности или с липсата на опит и знания, освен ако са под надзор или са инструктирани от лице, отговорно за тяхната безопасност.
- Почистването на кошницата и вътрешния контейнер трябва да бъде изпълнявано с кърпа, навлажнена в сапунена вода. Не използвайте силни почистващи препарати.
- НЕ ПОЧИСТВАЙТЕ с домакинска тел. Възможно е да се отчупят парченца, които да влизат в съприкосновение с електрическите компоненти, създавайки опасност от токов удар. Освен това, повърхностите могат да бъдат увредени.
- Преди да оставите уреда за съхранение или преди неговата употреба, подсушете всички компоненти с мека кърпа.
- При наличие на трудни за почистване петна върху кошницата или вътрешния контейнер, накиснете в топла вода за около 10 минути, след което почистете.
- Кошницата и вътрешният контейнер подлежат на почистване в съдомиялна машина.
- НЕ ПРЕПЪЛВАЙТЕ при готвене! Това може да доведе до нараняване или повреда на имущество, както и да окаже въздействие върху безопасността на работа.
- НЕ ПОСТАВЯЙТЕ масло или други течности във вътрешния контейнер.

- НЕ ИЗПОЛЗВАЙТЕ този уред за пържене.
- Храната трябва да бъде приготвена надлежно, за да бъдат избегнати рисковете за човешкото здраве.
- Храната не трябва да се докосва до нагревателите.
- Преди употреба **ВИНАГИ ПРОВЕРЯВАЙТЕ** дали уредът е комплектован надлежно.
- НЕ ПОСТАВЯЙТЕ следните материали в уреда: картон, пластмаса, хартия и др. подобни.
- Когато уредът не се използва, НЕ ОСТАВЯЙТЕ ЗА СЪХРАНЕНИЕ в него материали, различни от прилежащите му аксесоари.
- НЕ ИЗПОЛЗВАЙТЕ този уред по предназначение, различно от указаното.
- НЕ ИЗПОЛЗВАЙТЕ на открито.
- В случай че се нуждаете от консултация относно този продукт, се свържете с телефонната линия за техническа помощ на Sharp.
- Хващайте уреда единствено за предназначенията за целта дръжки, като използвате средства за защита (кухненски ръкавици).
- Прочетете това ръководство докрай, за да се запознаете с начините на работа с фритюрника. НЕ ДОКОСВАЙТЕ нагорещени повърхности. При възможност, използвайте кухненски ръкавици или ръкохватки (в зависимост от модела).
- Употребата на допълнителни приставки не се препоръчва. Възможно е това да доведе до опасност или нараняване.
- Този продукт е предназначен единствено за **УПОТРЕБА В ДОМАШНИ УСЛОВИЯ**.
- За да предотвратите възможността от падане на вътрешния контейнер на пода, го поставете върху стабилна повърхност, преди да повдигнете кошницата.
- По време на употреба дръжката трябва да бъде насочена

---

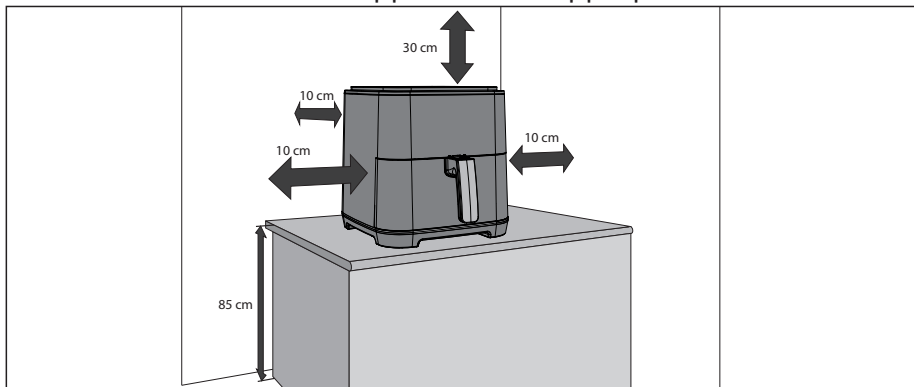
към Вас.

- **ВНИМАНИЕ:** Този знак  показва, че **ПОВЪРХНОСТИТЕ НА УРЕДА СЕ НАГОРЕЩАВАТ ПО ВРЕМЕ ИЛИ СЛЕД УПОТРЕБА. НЕ ДОКОСВАЙТЕ** нагорещени повърхности.
- **НЕ ПОКРИВАЙТЕ** входния вентилационен отвор или въздушното отворение, докато уредът работи. Това би възпрепятствало равномерното изпичане и е възможно да доведе до повреда или прегряване на уреда.
- **НЕ ДОКОСВАЙТЕ** аксесоарите по време или непосредствено след готвене.
- Бъдете много внимателни, когато в уреда има гореща храна. При неправилна употреба съществува опасност от нараняване.
- След употреба изчакайте, докато се охлади достатъчно.
- Преди да пристъпите към почистване, изчакайте докато уредът се охлади.
- **ПРЕДУПРЕЖДЕНИЕ:** По време на употреба този уред се нагрива значително и някои от повърхностите могат да се нагорещат. Използвайте с повишено внимание.
- Когато докосвате нагорещени повърхности (кошницата, вътрешния контейнер, приготвената храна и т.н.), използвайте готварски ръкавици.
- Когато използвате този уред, винаги обръщайте внимание около и над него да има достатъчно пространство, така че въздушната циркулация да не е възпрепятствана. Преди да стартирате готвене, **ВИНАГИ ПРОВЕРЯВАЙТЕ** дали вътрешният контейнер е надлежно затворен.
- **НЕ ПОЗВОЛЯВАЙТЕ** хранящият кабел да провисва от ръба на работната повърхност или да се докосва до нагорещени повърхности.
- **НЕ ВКЛЮЧВАЙТЕ** уреда ако хранящият кабел или щепселът са повредени или ако установите някаква друга неизправност.

- НЕ ЗАМЕНЯЙТЕ и не модифицирайте захранващия кабел и щепсела.
- Не използвайте удължител.
- Когато фритюрникът се използва, е необходимо да има свободен достъп до електрическия контакт/ превключвателя.
- Този уред не е пригоден за употреба с външен таймер или отделна система за дистанционно управление.
- Когато уредът не се използва, както и преди почистване, го изключвайте от електрическата мрежа.
- При изваждане на захранващия кабел, винаги хващайте щепсела, без да дърпате кабела.
- Когато приключвате работа с уреда, натиснете бутон STOP/CANCEL, за да го приведете в режим на готовност, след което изключете захранващия кабел.
- За да предотвратите възможността от токов удар, НЕ ПОТАПЯЙТЕ уреда във вода или друга течност.
- НЕ ПОКРИВАЙТЕ никоя част от уреда по време на работа. В противен случай може да се стигне до прегряване.
- НЕ ПОСТАВЯЙТЕ фритюрника върху нагорещени повърхности, в близост до нагорещен газов котлон или готварски плот или в гореща фурна.

- Когато използвате фритюрника, е необходимо да бъде осигурено свободно пространство от поне 100 mm от всяка от страните му, с цел адекватна въздушна циркулация.

## ЗАПАЗЕТЕ ТОВА РЪКОВОДСТВО ЗА БЪДЕЩИ СПРАВКИ



## ХАРАКТЕРИСТИКИ

Наименование на модела	GS404A
Мощност (W)	1300
Температурен диапазон (°C)	80 °C до 200 °C
8 автоматични програми	Пържени картофи, Говеждо, Зеленчуци, Малко пиле, Бекон, Риба, Картофи, Пица
2 функции	Предварително затопляне, готвене на замразени храни
Капацитет (литри)	4,0
Панел за управление	Цифров, с ротационен селектор
Покритие на кошницата	Незалепащо
Размери на кошницата (диаметър x височина в mm)	Ø190 x 50
Покритие на вътрешния контейнер	Незалепащо
Размери на вътрешния контейнер (диаметър x височина в mm)	200 x 120
Дължина на захранващия кабел (mm)	900
Ниво на шум (dB)	55 - 62
Консумация на енергия (W)	1300
Изисквания за захранване	220-240 V 50 Hz
Консумация на енергия в режим на готовност (W)	<0.5
Размери (Ш x В x Д в mm)	261 x 338 x 327
Тегло (kg)	4,5

Този продукт е в съответствие с приложимите Разпоредби и Стандарти в Обединеното кралство и ЕС.  
КАТО ЧАСТ ОТ ПОЛИТИКАТА ЗА НЕПРЕКЪСНАТО УСЪВЪРШЕНСТВАНЕ, НИЕ СИ ЗАПАЗВАМЕ ПРАВОТО ДА ПРОМЕНЯМЕ ДИЗАЙНА И СПЕЦИФИКАЦИИТЕ БЕЗ ПРЕДУПРЕЖДЕНИЕ.

# ФРИТЮРНИК С ГОРЕЩ ВЪЗДУХ И АКСЕСОАРИ

**Моля, преди да пристъпите към употреба, се запознайте със следните функции и аксесоари:**

**Вътрешен контейнер:** Поставете кошницата във вътрешния контейнер, след което ги сложете във фритюрника.

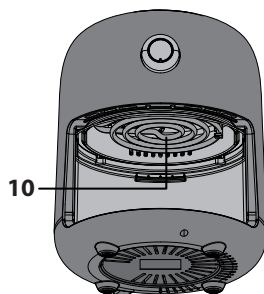
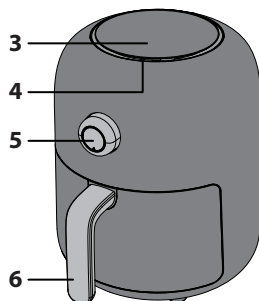
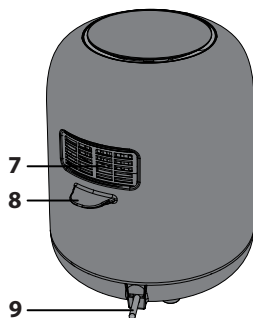
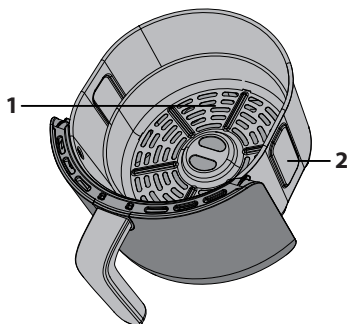
**Кошница:** Сложете храната кошницата. Поставете кошницата във вътрешния контейнер.

**ЗАБЕЛЕЖКА:** За да предотвратите възможността от падане на вътрешния контейнер на пода, го поставете върху стабилна повърхност, преди да повдигнете кошницата.

**Вентилационен отвор за отработен въздух:** По време на употреба от него се отделя нагорещена пара. Това е напълно нормално. Пазете лицето и ръцете си далеч от вентилационния отвор, за да избегнете изгаряне.

**Дръжка:** Използва се за изваждане и поставяне на вътрешния контейнер и кошницата във фритюрника.

1. Кошница
2. Вътрешен контейнер
3. Панел за управление
4. Смукателен отвор
5. Селектор
6. Дръжка на кошницата
7. Вентилационен отвор за отработен въздух
8. Дръжка за пренасяне
9. Захранващ кабел
10. Нагревател



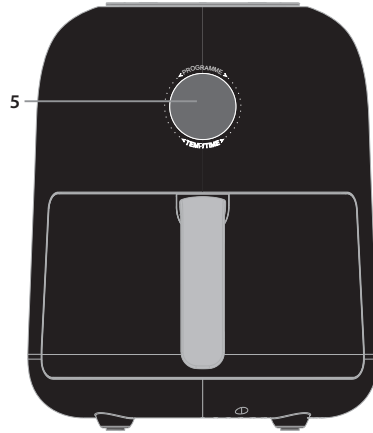
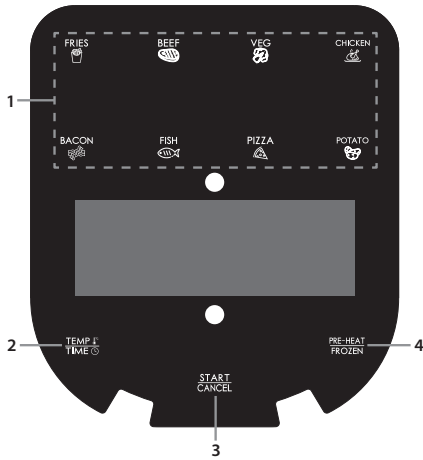
## ПОСОКА НА ВЪЗДУШНИЯ ПОТОК

По време на готвене горещият въздух от нагревателя циркулира по начина, посочен на изображението. По този начин храната се приготвя равномерно при зададената температурна стойност и времетраене. Не използвайте допълнителни материали (напр. метално фолио), тъй като това може да възпрепятства въздушния поток или да доведе до преплъване на кошницата.



## ПАНЕЛ ЗА УПРАВЛЕНИЕ

1. **Бутони за автоматично готвене** – програми за автоматично готвене, възможност за избор от 8 опции.
2. **Temperature/Time** – ръчно управление на температурната и времевата стойност.
3. **Start/Cancel** – стартиране на работа; отмяна или поставяне на функцията в пауза.
4. **Pre-Heat/Frozen** – използва се за предварително затопляне на уреда до достигане на необходимата температура за готвене, както и за готвене на замразени храни.
5. **Ротационен селектор** – служи за регулиране на времетраенето и температурата на готвене.



## ПРЕДИ ПЪРВОНАЧАЛНА УПОТРЕБА

Преди да използвате фритюрника с горещ въздух за пръв път, е препоръчително след като го разпакувате напълно и отстраните всички опаковъчни материали от него, да почистите кошницата и вътрешния контейнер с гореща сапунена вода или в съдомиялна машина. След това подсушете напълно всички аксесоари и сглобите фритюрника. Преди употреба избършете външните повърхности и вътрешните компоненти с влажна кърпа, след което ги подсушете.

Включете уреда в електрическата мрежа и го настройте за приготвяне на пържени картофи (не поставяйте никакви храни в уреда). Това ще включи уреда на 180°C за 23 минути, за да се разсеят всички остатъци, които може да са поленали по нагревателния елемент по време на производството.

Препоръчително е преди употреба да прочетете настоящото ръководство докрай.



## УКАЗАНИЯ ЗА РАБОТА

**Фритюрникът с горещ въздух разполага с няколко режима на работа:**

**Автоматично готвене** – изберете една от осемте предварително програмирани опции.

**Готвене на замразени храни** – приготвяне на замразени хранителни продукти (зеленчуци, пица или пържени картофи).

**Предварително затопляне** – използва се за достигане на необходимата температура преди начало на готвене.

**Бележки относно процеса на готвене**

- Количеството на поставената храна не бива да надвишава 4/5 от общия капацитет на кошницата.
- Температурата и времетраенето могат да бъдат регулирани по време на готвене.
- За да спрете готвенето, издърпайте вътрешния съд от уреда; когато го поставите обратно, уредът ще започне автоматично.
- За отмяна на зададената програма за готвене, натиснете бутон **START/CANCEL** два пъти.
- По време на готвенето някои храни трябва да се разбъркват/разклатят: Издърпайте вътрешния съд от уреда, разбъркайте/разклатете, ако е необходимо, и след това върнете вътрешния съд във фритюрника; фритюрникът ще се рестартира автоматично.
- Погрижете се храната да бъде достатъчно добре изпечена. В случай че има нужда от допълнително изпичане, я поставете обратно във фритюрника и изчакайте, докато се приготви.
- За да предотвратите възможността от падане на вътрешния контейнер на пода, го поставете върху стабилна повърхност, преди да повдигнете кошницата.
- Служи единствено за приготвяне на храна.
- НЕ ИЗПОЛЗВАЙТЕ за пържене с мазнина!

## Автоматично готвене

За Ваше улеснение и удобство уредът предлага 8 програми за автоматично готвене. Можете да ги изберете като използвате специалните бутони върху панела за управление.

По-долу е посочен пример за приготвяне на говеждо. Не е необходимо да регулирате температурата или времетраенето, освен ако не искате храната да бъде по-малко или по-добре изпечена.



1. Разпределете храната равномерно в кошницата.
2. Поставете кошницата във вътрешния контейнер. Сложете двата съда във фритюрника.
3. Включете уреда в електрическата мрежа.
4. Изберете желаната храна, като натиснете съответния бутон за автоматично готвене върху панела за управление. Зададените по подразбиране температура и времетраене ще започнат да премигват върху дисплея.
  - a. При необходимост, натиснете еднократно бутон **TEMP/TIME**, след което задайте желаната температура на готвене чрез завъртане на **СЕЛЕКТОРА**.
  - b. В случай че е необходимо, натиснете бутон **TEMP/TIME** два пъти, след което завъртете **СЕЛЕКТОРА**, за да зададете желаното времетраене на готвене.
5. Натиснете еднократно бутон **START/CANCEL**, за да стартирате готвене. Времетраенето ще започне обратно отброяване.
6. След завършване на процеса на готвене, ще бъде издаден аудио сигнал и уредът ще премине в режим на готовност.
7. Внимателно издърпайте вътрешния контейнер и кошницата. Извадете храната от уреда незабавно, тъй като остатъчната топлина ще продължи процеса на готвене и изсушаване.

**Забележка:** Имайте предвид, че ако решите да добавяте допълнителни минути към програмите от автоматичното меню, максималното времетраене може да бъде увеличено само в рамките на 30%. Това е с цел избягване на възможността от прегаряне на храната.

Храна	Тегло	Първоначална температура на храната	Времетраене на готвене	Максимално допълнително време	Обръщане на храната	Времетраене за готвене на замразени храни	Температура	Коментари
Пържени картофи	200 g до 500 g	Стайна температура	15 до 20	23	Да	26	180	Do not overload the pot.
Телешко	150 g до 500 g		8 до 12	16	Да	-	200	Могат да бъдат приготвени до 270 g телешки стек
Зеленчуци	100 g до 400 g		10	13	Да	14	190	Cut up vegetables into pieces 2 x 3cm.
Пиле	800 g до 1000 g		30	39	Да	-	190	Цяло пиле или големи късове
Бекон	4 до 6 резенчета		9	12	-	-	180	Разпределете резенчетата бекон равномерно в кошницата
Риба	100 g до 500 g		12	16	Да	-	200	Place fish pieces directly onto the base of the frying basket.
Картофи	До 250 g на бр.		40	52	Да	-	200	Поставете до 3 картофа по 250 g в кошницата
Пица	100 g до 400 g		13	17	-	18	160	Place whole or pizza pieces directly in the frying basket.

## Готвене на замразени храни

За готвене на замразени храни натиснете бутон **FROZEN** и следвайте указанията за автоматично готвене.



1. Разпределете храната равномерно в кошницата.
2. Поставете кошницата във вътрешния контейнер. Сложете двата съда във фритюрника.
3. Включете уреда в електрическата мрежа.
4. Натиснете бутон **PRE-HEAT/FROZEN** два пъти.
5. Изберете желаната функция чрез натискане на съответния бутон върху панела за управление. Зададените по подразбиране температура и времетраене ще започнат да премигват върху дисплея.
  - a. При необходимост, натиснете еднократно бутон **TEMP/TIME**, след което задайте желаната температура на готвене чрез завъртане на **СЕЛЕКТОРА**.
  - b. В случай че е необходимо, натиснете бутон **TEMP/TIME** два пъти, след което завъртете **СЕЛЕКТОРА**, за да зададете желаното времетраене на готвене.
6. Натиснете еднократно бутон **START/CANCEL**, за да стартирате готвене. Времетраенето ще започне обратно отброяване.
7. След завършване на процеса на готвене, ще бъде издаден аудио сигнал и уредът ще премине в режим на готовност.
8. Натиснете бутона за отваряне и внимателно извадете храната с помощта на дръжката.

Функцията за готвене на замразени храни може да бъде избрана единствено за **ПЪРЖЕНИ КАРТОФИ, ЗЕЛЕНЧУЦИ и ПИЦА**.

За приготвяне на друг вид замразени храни, моля вж. препоръките за ръчно готвене.

## Предварително затопляне

За да се гарантира, че правилната температура за приготвяне на храната е достигната, уредът разполага с функция за предварително затопляне. Тя може да бъде използвана преди функциите за автоматично и ръчно готвене. Необходимо е само да натиснете бутон **PRE-HEAT** преди да изберете някоя от посочените функции.



- Поставете кошницата във вътрешния контейнер. Сложете двата съда във фритюрника.
- Включете уреда в електрическата мрежа.
- Натиснете еднократно бутон **PRE-HEAT/FROZEN**.
- Изберете желаната вид храна чрез натискане на съответния бутон от функциите за автоматично готвене върху панела за управление. Зададените по подразбиране температура и времетраене ще започнат да премигват върху дисплея.
  - При необходимост, натиснете еднократно бутон **TEMP/TIME**, след което задайте желаната температура на готвене чрез завъртане на **СЕЛЕКТОРА**.
  - В случай че е необходимо, натиснете бутон **TEMP/TIME** два пъти, след което завъртете **СЕЛЕКТОРА**, за да зададете желаното времетраене на готвене.
- Натиснете бутон **START/CANCEL**.
- След достигане на необходимата температура на предварително затопляне, ще бъде издаден аудио сигнал.
- Извадете вътрешния контейнер и разположете храната равномерно в кошницата.
- Поставете двата съда обратно в уреда.
- Фритюрникът ще се стартира автоматично и времето ще се отброява.
- След завършване на процеса на готвене, ще бъде издаден аудио сигнал и уредът ще премине в режим на готовност.
- Издърпайте вътрешния съд и не забравяйте да боравите внимателно и да извадите храната от кошницата за пържено веднага, защото топлината, която остава във фритюрника, ще продължи да готви и ще изсуши храната ви.

## РОТАЦИОНЕН СЕЛЕКТОР

Ротационният селектор на фритюрника с горещ въздух разполага с няколко функции, някои от които се препокриват с бутоните върху панела за управление.

Когато фритюрникът с горещ въздух бъде включен в електрическата мрежа, ще се активира режим за настройване на функции. Върху дисплея ще бъдат показани температурата и времетраенето на първия режим за готвене с автоматична програма.

За избор на желаното автоматично меню, завъртете селектора. Когато започне да премигва върху дисплея, натиснете центъра на селектора, за да потвърдите избора си. Ако показаните температура и времетраене са подходящи, натиснете бутон **START/CANCEL** върху горния панел за управление, за да стартирате готвене.

В случай че е необходимо, можете да регулирате температурата и времетраенето на избраното меню. След като направите това, натиснете бутон **START/CANCEL**, за да стартирате готвене.

- Натиснете селектора и температурната стойност ще започне да премигва върху дисплея.
- Завъртете селектора, за да зададете желаната температура на готвене.

3. Натиснете селектора, за да потвърдите зададената температура. Стойността на времетраенето ще започне да премигва.
4. Завъртете селектора, за да зададете желаното времетраене на готвене.
5. Натиснете центъра на селектора, за да стартирате процеса на приготвяне на храната.

Ако желаете да анулирате програмата за готвене, натиснете центъра на селектора.

## ПРОФИЛАКТИКА И ПОДДРЪЖКА

Този уред се нуждае от елементарни стъпки на профилактика, след като е бил използван. Почиствайте фритюрника след всяка употреба, за да удължите експлоатационния му живот. Фритюрникът с горещ въздух не съдържа части, които подлежат на обслужване от потребителя. Не се опитвайте да изпълнявате самостоятелни ремонтни дейности. Ако все пак възникне неизправност, се свържете с център за обслужване на клиенти на SHARP, като използвате данните от началото на настоящото ръководство.

## УКАЗАНИЯ ЗА ПОЧИСТВАНЕ

**ВНИМАНИЕ:** За да предотвратите възможността от токов удар, НЕ ПОПАПАЙТЕ УРЕДА ВЪВ ВОДА ИЛИ ДРУГА ТЕЧНОСТ.

Фритюрникът с горещ въздух трябва да бъде почистван редовно. По този начин ефективността на работа и експлоатационният му живот ще бъдат съхранени в максимална степен. Освен това, редовното почистване намалява опасността от възникване на пожар. При почистване спазвайте посочените указания:

1. Извадете щепсела от контакта. Изчакайте докато уредът се охлади.
2. Почистването на кошницата и вътрешния контейнер трябва да бъде изпълнявано с кърпа, навлажнена в сапунена вода. Не използвайте силни почистващи препарати. При наличие на трудности за почистване петна върху кошницата или вътрешния контейнер, накиснете в топла вода за около 10 минути, след което почистете.
3. Почистването на нагревателите трябва да се извършва със суха и мека кърпа.
4. Избършете външните повърхности на уреда с мека навлажнена кърпа, след което ги подсушете.

**ВНИМАНИЕ:** НЕ УПОТРЕБЯВАЙТЕ АБРАЗИВНИ ПОЧИСТВАЩИ ПРЕПАРАТИ ИЛИ ДОМАКИНСКА ТЕЛ, докато почиствате повърхностите на кошницата и вътрешния контейнер. Използвайте единствено мека сапунена вода. Абразивните почистващи препарати и химикали, както и телените четки, ще увредят покритието на този уред. Освен препоръчителните действия по почистване, не е необходима допълнителна поддръжка от потребителя. При необходимост от ремонтни дейности, същите трябва да бъдат изпълнявани единствено от упълномощени сервизни представители.

## СЪХРАНЕНИЕ

Преди да приберете уреда за съхранение, го изключете от контакта, изчакайте докато се охлади и го почистете. Поставете го в кутията и го оставете на чисто и сухо място. Никога не прибирайте за съхранение уреда, докато е все още топъл или включен в електрическата мрежа. Никога не увивайте захранващия кабел плътно около уреда. Не упражнявайте усилие върху мястото, на което кабелът влиза в уреда. Това може да доведе до протриване и прекъсване.

В случай че планирате съхранение за продължителен период се уверете, че фритюрникът е почистен и в него няма остатъци от храна. Съхранявайте уреда на сухо място, напр. върху маса, кухненски плот или в шкаф.

## ОТСТРАНЯВАНЕ НА НЕИЗПРАВНОСТИ

В случай че с фритюрника възникне проблем, разгледайте посочените по-долу предложения.

Фритюрникът с горещ въздух не работи.	Уредът не е свързан към електрическата мрежа или не е включен.	Проверете дали щепселът е поставен надлежно в електрически контакт и дали уредът е включен.
	Не е зададено времетраене или температура.	Задайте времетраене и температура, след което натиснете бутон <b>START/CANCEL</b> .
	Вътрешният контейнер не е надлежно заключен във фритюрника.	Натиснете вътрешния контейнер, докато чуете леко щракване.
Съставките, поставени във фритюрника, не са сготвени добре.	В кошницата има прекалено голямо количество храна.	Поставете по-малко количество храна. По този начин тя се изпича по-равномерно.
	Зададената температура е прекалено ниска.	Регулирайте температурата до необходимата стойност.
	Времетраенето на готвене е твърде кратко.	Регулирайте таймера до достигане на необходимото времетраене.
Пригответената във фритюрника храна не е хрупкава.	Използвали сте вид храна, предназначен за пържене в конвенционален фритюрник.	Използвайте видове храна, предназначени за приготвяне във фурна или леко намажете храната с масло.
Вътрешният контейнер и кошницата се плъзгат трудно или не влизат във фритюрника.	В кошницата има прекалено голямо количество храна.	Не препълвайте кошницата.
	Кошницата не е поставена правилно във вътрешния контейнер.	Натиснете кошницата в контейнера, докато чуате леко щракване.
От уреда излиза бял дим.	Пригответе храна с богато съдържание на мазнини.	Ако пригответе храни с богато съдържание на мазнини във фритюрника, голямо количество от тях ще изтече във вътрешния контейнер. Това може да доведе до отделяне на бял дим и по-голямо нагорещаване на контейнера от обичайното. Това не оказва въздействие върху уреда или резултатите от готвенето.
	Във вътрешния контейнер има остатъци от мазнина.	Белият дим се появява вследствие на нагорещаването на мазнината в контейнера. Почиствайте старателно кошницата и вътрешния контейнер след всяка употреба.
Пържените картофи се приготвят неравномерно.	Не сте използвали правилния вид картофи.	Използвайте пресни картофи и проверявайте дали остават твърди по време на приготвяне.
	Нарязаните картофи не са изплакнати добре преди да бъдат поставени във фритюрника.	Изплакнете нарязаните картофи добре, така че скорбялата да бъде отмита.
Пресните картофи не са хрупкави, когато бъдат приготвени с фритюрника с горещ въздух.	Степента на хрупкавост на пържените картофи зависи от количеството/типа на мазнината и водата в тях.	Уверете се, че нарязаните картофи са добре изсушени, преди да добавите мазнината.
		За по-хрупкав резултат, нарежете картофите на по-тънко.
		За да станат картофите по-хрупкави, добавете съвсем малко мазнина.

В случай че проблемът не бъде отстранен, се свържете с център за обслужване на клиенти на SHARP, като използвате данните от началото на настоящото ръководство.



**Pozor:**

Váš produkt je označen tímto symbolem.

To znamená, že použité elektrické a elektronické produkty by se neměli míchat s běžným odpadem domácnosti. Pro tyto produkty existuje zvláštní sběrný systém.



[www.sharpconsumer.com/contact/](http://www.sharpconsumer.com/contact/)



[www.sharpconsumer.com/support/](http://www.sharpconsumer.com/support/)



[www.sharpconsumer.com/documents-of-conformity/](http://www.sharpconsumer.com/documents-of-conformity/)

## A. Informace pro uživatele ohledně likvidace (domácnosti)

### 1. V Evropské unii

Pozor: Pokud chcete toto zařízení zlikvidovat, nevyhazujte ho do běžného odpadkového koše!

S použitými elektrickými a elektronickými zařízeními se musí nakládat zvlášť a v souladu s legislativou, která vyžaduje správné ošetření, opětné zužitkování a recyklaci použitých elektrických a elektronických zařízení. Po implementaci členskými státy mohou soukromé domácnosti v státech EU bezplatně\* odevzdat svá použitá elektrická a elektronická zařízení na příslušná sběrná místa.

V některých zemích\* někteří maloobchodníci přijmou bezplatně váš starý produkt, pokud si zakoupíte podobný nový produkt.

\*) Další podrobnosti vám sdělí orgány vaší místní samosprávy.

Pokud má vaše použité elektrické nebo elektronické zařízení baterie nebo akumulátory, zlikvidujte je předem v souladu s místními požadavky. Správnou likvidací vašeho produktu pomůžete zajistit, že odpad projde potřebným ošetřením, opětovným zužitkováním a recyklací, a tím se předejde potenciálním negativním vlivům na životní prostředí a zdraví člověka, které by mohla způsobit nesprávná manipulace s odpadem.

### 2. V zemích mimo EU

Pokud chcete tento produkt zlikvidovat, kontaktujte prosím své místní orgány a informujte se na správný způsob likvidace.

Pro Švýcarsko: Použitá elektrická nebo elektronická zařízení se dají bezplatně vrátit obchodníkovi, a to i v případě, že nezakoupíte nový produkt. Další sběrná místa jsou uvedena na webové stránce [www.swico.ch](http://www.swico.ch) nebo [www.sens.ch](http://www.sens.ch).

## B. Informace o likvidaci - pro obchodní uživatele

### 1. V Evropské unii

Pokud se produkt používá na obchodní účely a chcete ho zlikvidovat: Kontaktujte prosím svého prodejce SHARP, který vám podá informace o navrácení produktu. Může dojít k tomu, že vám budou účtovány poplatky vycházející z navrácení a recyklace produktu. Malé produkty (a malá množství) mohou být přijaty vašimi místními sběrnými místy.

Pro Španělsko: Kontaktujte prosím zřízený sběrný systém nebo vaše místní orgány pro vrácení vašich použitých produktů.

### 2. V zemích mimo EU

Pokud chcete tento produkt zlikvidovat, kontaktujte prosím své místní orgány a informujte se na správný způsob likvidace.

Informace o servisních službách naleznete na [www.sharpconsumer.com/contact/](http://www.sharpconsumer.com/contact/), informace o vašich záručních právech naleznete na [www.sharpconsumer.com/support/](http://www.sharpconsumer.com/support/) nebo kontaktujte prodejce, u kterého jste svůj produkt zakoupili.

Prohlášení o shodě je dostupné na [www.sharpconsumer.com/documents-of-conformity/](http://www.sharpconsumer.com/documents-of-conformity/)

---

# OBSAH


BEZPEČNOSTNÍ POKYNY .....	3
TECHNICKÉ ÚDAJE .....	7
HORKOVZDUŠNÁ FRITÉZA A PŘÍSLUŠENSTVÍ .....	8
OVLÁDACÍ PANEL .....	9
PŘED POUŽITÍM HORKOVZDUŠNÉ FRITÉZY .....	9
POKYNY PRO PROVOZ .....	10
Automatická příprava jídla .....	10
Příprava zmrazeného jídla .....	11
Předehřátí .....	12
OVLÁDACÍ KOLEČKO .....	13
ÚDRŽBA BĚHEM POUŽÍVÁNÍ .....	13
POKYNY PRO ČIŠTĚNÍ .....	13
SKLADOVÁNÍ .....	13
ODSTRAŇOVÁNÍ PROBLÉMŮ .....	14



## BEZPEČNOSTNÍ POKYNY

### **Při používání elektrického spotřebiče vždy dbejte na dodržování základních bezpečnostních opatření včetně těchto:**

- Na děti je potřeba dohlížet, aby se zaručilo, že si se spotřebičem NEBUDOU hrát.
- Tento spotřebič není určen k používání osobami (včetně dětí) se sníženými fyzickými, smyslovými nebo mentálními schopnostmi, nebo nedostatkem zkušeností a znalostí, pokud na ně nedohlíží osoba zodpovědná za jejich bezpečnost, nebo pokud jim tato osoba nedala pokyny ohledně používání.
- Čistěte koš horkovzdušné fritézy a vnitřní nádobu vlhkým hadrem s mýdlovým přípravkem. Používejte pouze jemnou mýdlovou vodu.
- NEČISTĚTE kovovými drátěnkovými hadříky. Z hadříků se mohou odlamovat kousky materiálu a při kontaktu s elektrickými součástmi způsobit riziko zásahu elektrickým proudem. Dojde také k poškození povrchu.
- Jednotku i součásti osušte před uskladněním nebo použitím měkkým hadříkem.
- Pokud budou na koši nebo vnitřní nádobě nějaké nečistoty, které bude těžké vyčistit, nechejte je před čištním asi 10 minut namočené v teplé vodě.
- Koš na smažení a vnitřní nádobu můžete mýt v myčce na nádobí.
- NEPŘEPLŇUJTE spotřebič při přípravě jídel. Nadměrné naplnění může způsobit zranění nebo poškození majetku nebo může ovlivnit bezpečnost používání spotřebiče.
- NEPOUŽÍVEJTE ve vnitřní nádobě olej ani jinou tekutinu.
- NEPOUŽÍEJTE tento spotřebič na fritování.
- Dbejte na správnou přípravu a vaření jídla, abyste předešli ohrožení zdraví.
- Zabraňte kontaktu jídla s topnými prvky.

- 
- VŽDY se před použitím přesvědčte, že je spotřebič správně sestaven.
  - NEUMIŠŤUJTE do horkovzdušné fritézy žádné z následujícím materiálů: papírová lepenka, plast, papír ani cokoli podobného.
  - Když horkovzdušnou fritézu nepoužíváte, NESKLADUJTE v ní nic jiného kromě příslušenství dodaného s produktem.
  - Spotřebič NEPOUŽÍVEJTE k jiným účelům, než pro jaké je určen.
  - NEPOUŽÍVEJTE venku.
  - Pokud budete potřebovat jakoukoli radu týkající se tohoto produktu, kontaktujte svou asistenční linku Sharp.
  - Držte spotřebič pouze za správná držadla a používejte opatření chránící před horkem, jako jsou chňapky nebo jiné produkty na držení horkého nádobí.
  - Přečtěte si všechny tyto pokyny, abyste se řádně seznámili s provozem této horkovzdušné fritézy. NEDOTÝKEJTE se horkých povrchů a pokud to bude možné, použijte rukojeti nebo ovládací prvky (v závislosti na modelu).
  - Použití příslušenství v podobě nástavců se nedoporučuje, protože to může způsobit nebezpečí nebo zranění.
  - Tento spotřebič je určen pouze pro POUŽITÍ V DOMÁCNOSTI.
  - Abyste předešli upadnutí vnitřní nádoby na zem, položte vnitřní nádobu před zvednutím koše horkovzdušné fritézy na stabilní povrch.
  - Při použití dbejte, aby rukojeť směřovala směrem k vám.
  - UPOZORNĚNÍ: Značka  znamená, ŽE POVRCHY SPOTŘEBIČE JSOU BĚHEM POUŽÍVÁNÍ NEBO PO NĚM HORKÉ.
  - NEZAKRÝVEJTE během používání spotřebiče průduch pro vstup vzduchu nebo výstup vzduchu. Příprava jídla nebude rovnoměrná a může dojít k poškození jednotky vlivem přehřátí.
  - NEDOTÝKEJTE se během přípravy jídla nebo ihned po ní

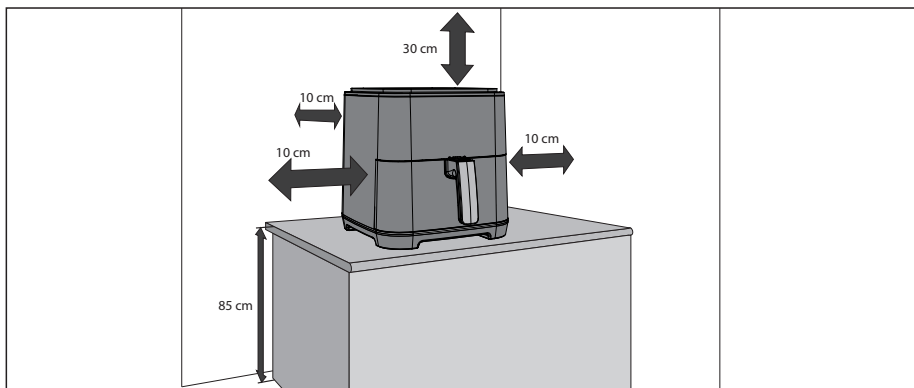
příslušenství spotřebiče.

- Budte mimořádně opatrní, pokud je ve spotřebiči horké jídlo. Nesprávné použití může mít za následek osobní zranění.
- Po použití nechejte jednotku stát, aby měla dostatek času vychladnout.
- Před čištěním nechejte horkovzdušnou fritézu vychladnout.
- **UPOZORNĚNÍ:** Protože se horkovzdušná fritéza během používání zahřívá, může být na některých površích vysoká teplota. Protože lidé jsou citliví vůči teplotám, je třeba být při používání tohoto spotřebiče opatrný.
- Když se budete dotýkat horkých povrchů nebo horkého koše horkovzdušné fritézy, vnitřní nádoby nebo jídla, použijte ochranné rukavice.
- Při používání tohoto spotřebiče dbejte, aby byl nad ním a po všech jeho stranách dostatečný prostor pro cirkulaci vzduchu. **VŽDY** dbejte, aby byla před spuštěním správně zavřená vnitřní nádoba.
- Napájecí kabel NESMÍ viset přes hranu pracovní desky nebo se dotýkat horkých povrchů.
- **NEPOUŽÍVEJTE** spotřebič, pokud jsou napájecí kabel nebo zástrčka jakkoli poškozené, došlo k poruše spotřebiče nebo byl nějak poškozen.
- **NEVYMĚŇUJTE** a **NEUPRAVUJTE** napájecí kabel ani zástrčku.
- **NEPOUŽÍVEJTE** prodlužovací šňůru.
- Dbejte, aby byly zástrčka/spínač při používání horkovzdušné fritézy přístupné.
- Tato horkovzdušná fritéza není určena pro provoz pomocí externího časovače nebo samostatného systému dálkového ovládání.
- Pokud spotřebič nepoužíváte nebo se ho chystáte čistit, odpojte ho ze zdroje napájení.
- Při odpojování zástrčky ze zdroje vždy držte zástrčku – nikdy netahejte za kabel.
- Když dokončíte používání horkovzdušné fritézy, stisknutím

tlačítka STOP/ZRUŠIT ji přepněte do pohotovostního režimu a pak ji odpojte od zdroje napájení.

- Abyste předešli úrazu elektrickým proudem, **NEPONOŘUJTE** horkovzdušnou fritézu do vody ani do jiných kapalin.
- **NEZAKRÝVEJTE** žádnou část horkovzdušné fritézy, když je puštěná – došlo by k přehřátí.
- **NEUMISŤUJTE** horkovzdušnou fritézu na horký povrch, poblíž plynových nebo elektrických hořáků ani do rozehráté trouby.
- Při provozování horkovzdušné fritézy ponechte ze všech stran prostor alespoň 100 mm, aby mohlo docházet k dostatečné cirkulaci vzduchu.

**UCHOVEJTE TYTO POKYNY NA BEZPEČNÉM MÍSTĚ PRO PŘÍPAD, ŽE JE BUDETE POTŘEBOVAT V BUDOUCNOSTI.**



## TECHNICKÉ ÚDAJE

<b>Název modelu:</b>	<b>GS404A</b>
Výkon horkovzdušné fritézy (W)	1300
Teplotní stupně horkovzdušné fritézy (Celsius)	80 °C až 200 °C
8 automatických programů	hranolky, hovězí, zelenina, malé kuře, slanina, ryba, brambora, pizza
2 funkce	Přehřátí, příprava zmrazeného jídla
Objem (litry)	4,0
Ovládací panel	Digitální s otočným ovládacím prvkem
Povrchová úprava koše na smažení	Nepřilnavá
Velikost koše na smažení (průměr × výška v mm)	Ø190 × 50
Povrchová úprava vnitřní nádoby	Nepřilnavá
Velikost vnitřní nádoby (průměr × výška v mm)	200 × 120
Délka napájecího kabelu (mm)	900
Hladina hluku (dB)	55–62
Spotřeba energie (W)	1300
Potřebné napětí	220–240 V 50 Hz
Spotřeba energie v pohotovostním režimu (W)	<0.5
Velikost (š × v × h mm)	261 × 338 × 327
Hmotnost (kg)	4,5

Tento produkt vyhovuje příslušným nařízením a normám pro Spojené království a EU.

JAKO SOUČÁST POLITIKY NEUSTÁLÉHO ZLEPŠOVÁNÍ SI VYHRAZUJEME PRÁVO NA ÚPRAVY DESIGNU A TECHNICKÝCH ÚDAJŮ BEZ PŘEDCHOZÍHO UPOZORNĚNÍ.

# HORKOVZDUŠNÁ FRITÉZA A PŘÍSLUŠENSTVÍ

**Před prvním použitím se seznamte s následujícími funkcemi a příslušenstvím horkovzdušné fritézy:**

**Vnitřní nádoba:** Umístěte koš na smažení na vnitřní nádobu a vložte vnitřní nádobu do horkovzdušné fritézy.

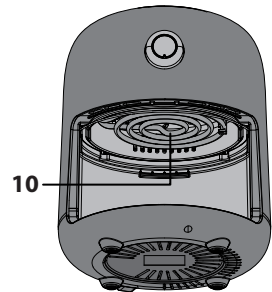
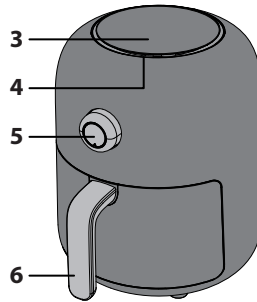
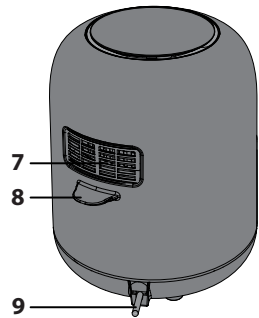
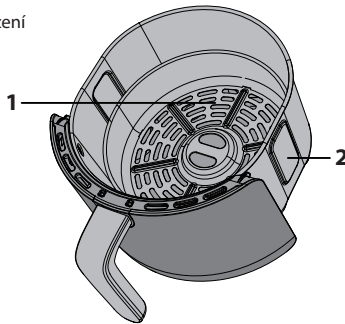
**Koš na smažení:** Umístěte jídlo do koše na smažení a pak vložte koš na smažení do vnitřní nádoby, kde se bude jídlo připravovat.

**POZNÁMKA:** Abyste předešli upadnutí vnitřní nádoby na zem, položte vnitřní nádobu před zvednutím koše na smažení na stabilní povrch.

**Průduch pro výstup vzduchu:** Během používání spotřebiče odchází z průduchu pro výstup vzduchu horká pára (to je normální jev). Udržujte ruce a obličej při vaření mimo výstupy vzduchu, abyste předešli opaření.

**Rukojeť:** Používá se pro přemístování vnitřní nádoby a koše na smažení do horkovzdušné fritézy a z horkovzdušné fritézy.

1. Koš na horkovzdušné smažení
2. Vnitřní nádoba
3. Ovládací panel
4. Vstup vzduchu
5. Ovládací kolečko
6. Rukojeť koše na smažení
7. Otvor pro výstup vzduchu
8. Rukojeť pro držení
9. Napájecí kabel
10. Topné těleso



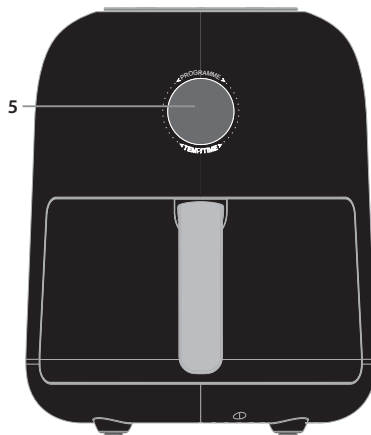
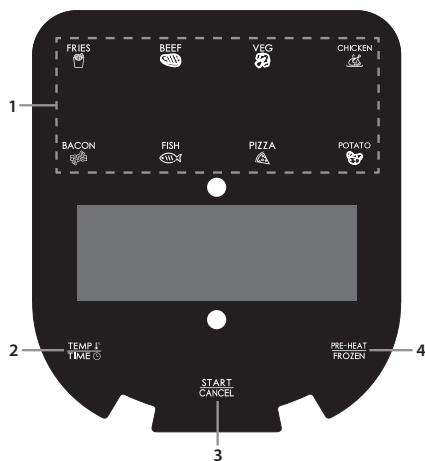
## SMĚR PROUDĚNÍ VZDUCHU

Při přípravě jídla horký vzduch z topného tělesa proudí tak, jak můžete vidět na obrázku níže. To zajišťuje, že se jídlo při nastavené teplotě a v nastaveném čase připraví rovnoměrně. Nepoužívejte žádné materiály, jako je kovová fólie, protože by bránily tomuto proudění vzduchu. Nenapíňujte koš na smažení přílišným množstvím jídla.



## OVLÁDACÍ PANEL

1. **Tlačítka pro automatickou přípravu jídla** – automatické programy, výběr z 8 možností.
2. **Teplota/Čas** – použijte toto tlačítko pro manuální nastavení teploty a času.
3. **Start/Zrušit**– spuštění chodu horkovzdušné fritézy nebo zrušení/pozastavení chodu.
4. **Předehřátí/Mražené**– při předehřívání nastavte horkovzdušnou fritézu na správnou teplotu pro přípravu jídla nebo pro přípravu zmrazeného jídla.
5. **Otočný ovládací knoflík** – používá se pro nastavení času a teploty.



## PŘED POUŽITÍM HORKOVZDUŠNÉ FRITÉZY

Před prvním použitím horkovzdušné fritézy doporučujeme, abyste ji nejprve zcela vybalili, odstranili veškeré obalové materiály a umyli vnitřní nádobu a koš na smažení v horké mýdlové vodě. Pak důkladně osušte všechno příslušenství a zase horkovzdušnou fritézu sestavte. Před použitím otřete vnější plášť a vnitřní části vlhkým hadrem a osušte je. Zapojte přístroj do elektrické sítě a nastavte jej na přípravu hranolek (nevkládejte do něj žádné potraviny). Tím se přístroj zapne na teplotu 180 °C na 23 minut, aby se rozptýlily všechny zbytky, které mohly ulpět na topném tělese během výroby.

Doporučujeme přečíst si před použitím celý tento návod k použití.

# POKYNY PRO PROVOZ

Tato horkovzdušná fritéza má několik režimů provozu:

**Automatická příprava jídla** – vyberte jeden z 8 předem nastavených programů.

**Příprava mraženého jídla** – uvařte si zmražené jídlo (pouze zeleninu, pizzu a hranolky).

**Předehřátí** – dbejte, aby byla horkovzdušná fritéza před přípravou jídla vyhřátá na správnou teplotu.

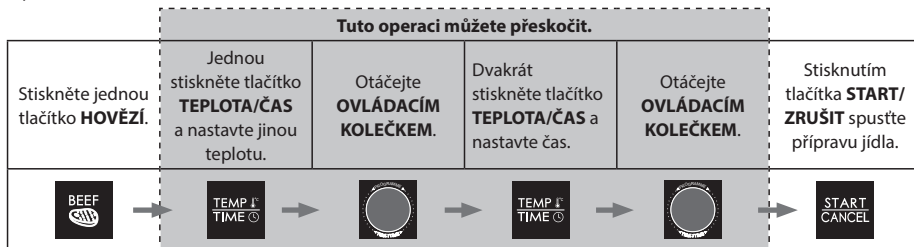
## Poznámky k přípravě jídla

- Množství jídla by mělo zaplnit maximálně 4/5 celkového objemu koše na smažení.
- Teplotu a čas pro přípravu jídla můžete během přípravy upravit.
- Chcete-li vaření pozastavit, vytáhněte vnitřní nádobu z přístroje; po zasunutí zpět se přístroj automaticky spustí.
- Pro zrušení přípravy jídla stiskněte dvakrát tlačítko „**START/ZRUŠIT**“.
- Některé potraviny je třeba během vaření míchat/třepat: Vnitřní nádobu vytáhněte z přístroje, v případě potřeby ji promíchejte/vytřepejte a poté ji vraťte zpět do fritézy; fritéza se automaticky znovu spustí.
- Přesvědčte se, že je jídlo správně připravené. Pokud ještě není dostatečně hotové, vraťte ho do horkovzdušné fritézy a připravujte déle.
- Abyste předešli upadnutí vnitřní nádoby na zem, položte vnitřní nádobu před zvednutím koše na stabilní povrch odolný proti vysokým teplotám.
- Připravujte jídlo pouze v této horkovzdušné fritéze.
- **NEPOUŽÍVEJTE** ho na fritování v oleji.

## Automatická příprava jídla

Pro vaše pohodlí a snadnou přípravu má fritéza 8 automatických programů. Ty jsou snadno přístupné přes speciální tlačítka na ovládacím panelu.

V příkladu níže se připravuje hovězí maso. Pokud nechcete maso méně či více propečené, není nutné upravovat teplotu nebo čas.



1. Jídlo, které chcete připravovat, rozmístíte rovnoměrně do koše na smažení.
2. Umístíte koš na smažení do vnitřní nádoby. Vložte vnitřní nádobu do horkovzdušné fritézy.
3. Zapněte horkovzdušnou fritézu do zásuvky.
4. Zvolte požadované jídlo stisknutím tlačítka pro automatickou přípravu jídla na ovládacím panelu. Na LED displeji bude blikat naprogramovaná teplota a čas.
  - a. Pokud to bude potřeba, stiskněte jednou tlačítko „**TEPLOTA/ČAS**“ a pak pomocí **OVLÁDACÍHO KOLEČKA** nastavte požadovanou teplotu přípravy.
  - b. Pokud to bude potřeba, stiskněte dvakrát tlačítko „**TEPLOTA/ČAS**“ a pak pomocí **OVLÁDACÍHO KOLEČKA** nastavte požadovanou dobu přípravy.
5. Jedním stisknutím tlačítka „**START/ZRUŠIT**“ spustíte přípravu jídla – začne odpočítávání času do konce přípravy.
6. Až bude příprava jídla u konce, ozve se zvukové znamení a jednotka se přepne do pohotovostního režimu.
7. Opatrně vytáhněte vnitřní nádobu a ihned vyndejte jídlo z koše na smažení. Pokud to neuděláte, zbývající teplo v horkovzdušné fritéze bude jídlo dále vařit a vysušovat.

**Poznámka:** Pokud budete měnit délku přípravy při automatické přípravě jídla, můžete ji prodloužit maximálně o 30 %. To proto, aby se předešlo potenciálnímu spálení jídla.



Jídlo	Hmotnost	Počáteční teplota jídla	Čas vaření	Maximální čas navíc	Otočení	Čas přípravy zmrazeného jídla	Teplota	Poznámky
Hranolky	200 g až 500 g	Pokojeová teplota	15 až 20	23	Ano	26	180	Do not overload the pot.
Hovězí	150 g až 500 g		8 až 12	16	Ano	-	200	Připravít lze až 270 g hověžního steaku.
Zelenina	100 g až 400 g		10	13	Ano	14	190	Cut up vegetables into pieces 2 x 3cm.
Kuře	800 g až 1000 g		30	39	Ano	-	190	Celé kuře nebo velké kusky
Slanina	4 až 6 plátků		9	12	-	-	180	Plátky slaniny rozložte rovnoměrně do koše na smažení.
Ryba	100 g až 500 g		12	16	Ano	-	200	Place fish pieces directly onto the base of the frying basket.
Brambory	Každá o hmotnosti 250 g		40	52	Ano	-	200	Vložte do koše na smažení až 3 brambory s individuální hmotností 250 g.
Pizza	100 g až 400 g		13	17	-	18	160	Place whole or pizza pieces directly in the frying basket.

## Příprava zmrazeného jídla

Pokud chcete připravovat zmrazené jídlo, postupujte podle pokynů pro automatickou přípravu jídla, ale nejprve stiskněte tlačítko „**MRAŽENÉ**“



- Jídlo, které chcete připravovat, rozmístěte rovnoměrně do koše na smažení.
- Umístěte koš na smažení do vnitřní nádoby. Vložte vnitřní nádobu do horkovzdušné fritézy.
- Zapněte horkovzdušnou fritézu do zásuvky.
- Stiskněte dvakrát tlačítko „**PŘEDEHRÁT/MRAŽENÉ**“.
- Stisknutím tlačítka pro výběr funkce na ovládacím panelu vyberte požadovanou funkci. Na LED displeji bude blikat naprogramovaná teplota a čas.
  - Pokud to bude potřeba, stiskněte jednu tlačítko „**TEPLOTA/ČAS**“ a pak pomocí **OVLÁDACÍHO KOLEČKA** nastavte požadovanou teplotu přípravy.
  - Pokud to bude potřeba, stiskněte dvakrát tlačítko „**TEPLOTA/ČAS**“ a pak pomocí **OVLÁDACÍHO KOLEČKA** nastavte požadovanou dobu přípravy.
- Jedním stisknutím tlačítka „**START/ZRUŠIT**“ spusťte přípravu jídla – začne odpočítávání času do konce přípravy.
- Až bude příprava jídla u konce, ozve se zvukové znamení a spotřebič se přepne do pohotovostního režimu.
- Stiskněte tlačítko pro otevření, opatrně zatáhněte za rukojeť vnitřní nádoby a vyndejte jídlo.

Příprava zmrazeného jídla je možná pouze u **HRANOLKŮ, ZELENINY** a **PIZZY**.

Radu pro přípravu jiného mrazeného jídla naleznete v části pro manuální vaření.

## Přehřátí

Abyste zajistili, že má horkovzdušná fritéza správnou teplotu pro přípravu vašeho jídla, použijte funkci přehřátí. Můžete ji použít před použitím funkcí automatické přípravy jídla a manuální přípravy jídla. Jednoduše před výběrem jakékoli funkce nejprve jednou stiskněte tlačítko pro přehřátí.



1. Umístěte koš na smažení do vnitřní nádoby. Vložte vnitřní nádobu do horkovzdušné fritézy.
2. Zapněte horkovzdušnou fritézu do zásuvky.
3. Stiskněte jednu tlačítko **PŘEHŘÁT/MRAŽENÉ**.
4. Zvolte požadované jídlo stisknutím tlačítka pro příslušnou automatickou přípravu jídla na ovládacím panelu. Na LED displeji bude blikat naprogramovaná teplota a čas.
  - a. Pokud to bude potřeba, stiskněte jednu tlačítko „**TEPLOTA/ČAS**“ a pak pomocí **OVLÁDACÍHO KOLEČKA** nastavte požadovanou teplotu přípravy.
  - b. Pokud to bude potřeba, stiskněte dvakrát tlačítko „**TEPLOTA/ČAS**“ a pak pomocí **OVLÁDACÍHO KOLEČKA** nastavte požadovanou dobu přípravy.
5. Stiskněte tlačítko „**START/ZRUŠIT**“.
6. Až jednotka dosáhne správné teploty přehřátí, ozve se zvukové upozornění.
7. Vyndejte vnitřní nádobu. Jídlo, které chcete připravovat, rozmístěte rovnoměrně do koše na smažení.
8. Vraťte vnitřní nádobu / koš na smažení do horkovzdušné fritézy.
9. Fritéza se automaticky spustí a čas se odpočítává.
10. Až bude příprava jídla u konce, ozve se zvukové znamení a spotřebič se přepne do pohotovostního režimu.
11. Vytáhněte vnitřní nádobu a nezapomeňte s jídlem zacházet opatrně a ihned ho vyjměte z fritovacího koše, jinak se bude ve fritéze dál vařit a jídlo se vysuší.

## OVLÁDACÍ KOLEČKO

Ovládací kolečko na vaší horkovzdušné fritéze má několik funkcí, z nichž některé duplikují tlačítka na ovládacím panelu.

Když je horkovzdušná fritéza zapojená do zdroje energie, přepne se do režimu nastavení funkce a zobrazí teplotu a čas pro režim prvního automatického programu.

Pokud chcete zvolit požadované automatické menu, otáčejte knoflíkem a až začne blikat název požadovaného menu, stiskněte střed knoflíku a potvrďte tím volbu tohoto menu. Jestliže vám vyhovuje teplota a čas zobrazené na displeji, spusťte přípravu jídla stisknutím tlačítka **START/ZRUŠIT** na horní straně ovládacího panelu.

V případě potřeby můžete upravit teplotu a čas zvoleného menu. Udělejte to ještě před tím, než spustíte přípravu jídla stisknutím tlačítka **START/ZRUŠIT**.

1. Stiskněte tlačítko – displej s teplotou začne blikat.
2. Otáčejte knoflíkem a nastavte požadovanou teplotu přípravy jídla.
3. Stisknutím knoflíku potvrďte nastavenou teplotu. Číselný údaj o teplotě nyní bude blikat.
4. Otáčejte knoflíkem a nastavte požadovaný čas přípravy jídla.
5. Stisknutím středu knoflíku spusťte přípravu jídla.

Pokud budete chtít přípravu jídla zrušit, stiskněte střed knoflíku.

## ÚDRŽBA BĚHEM POUŽÍVÁNÍ

Tento spotřebič vyžaduje při používání velmi málo údržby. Po každém použití horkovzdušnou fritézu vyčistěte, abyste prodloužili její životnost.

Tato horkovzdušná fritéza neobsahuje žádné součásti, jejichž servis může provádět uživatel. Nesnažte se spotřebič opravovat sami. V nepravděpodobném případě poruchy kontaktujte telefonické centrum SHARP – kontaktní údaje najdete na začátku tohoto Návodu k použití.

## POKYNY PRO ČIŠTĚNÍ

**UPOZORNĚNÍ:** Abyste předešli úrazu elektrickým proudem, NEPONORUJTE HORKOVZDUŠNOU FRITÉZU DO VODY ANI DO JINÝCH KAPALIN.

Tuto horkovzdušnou fritézu byste měli čistit pravidelně, aby fungovala co nejlépe a měla dlouhou životnost.

Pravidelné čištění také snižuje riziko požáru. Při čištění postupujte podle níže uvedených pokynů:

1. Vytáhněte zástrčku ze zásuvky. Nechejte horkovzdušnou fritézu vychladnout.
2. Vyčistěte koš na horkovzdušné smažení a vnitřní nádobu vlhkým hadrem s mýdlem. Použijte pouze jemnou mýdlovou vodu. Pokud budou na koši nebo vnitřní nádobě nějaké nečistoty, které bude těžké vyčistit, nechejte je před čištěním asi 10 minut namočené v teplé vodě.
3. Očistěte topná tělesa suchým měkkým hadříkem.
4. Otřete vnější prostor horkovzdušné fritézy měkkým vlhkým hadříkem a pak ho osušte.

**UPOZORNĚNÍ:** Na povrch koše na smažení ani na vnitřní nádobu NEPOUŽÍVEJTE ABRAZIVNÍ ČISTÍCÍ PROSTŘEDKY ANI DRÁTĚNKOVÉ POMŮCKY NA ČIŠTĚNÍ. Používejte pouze jemnou mýdlovou vodu. Abrasivní čisticí prostředky, drátěnky a chemické čisticí prostředky poškodí povrch jednotky.

Kromě doporučeného čištění by nemělo být potřeba, aby uživatel prováděl další údržbu.

Další servisní údržbu by měl provádět pracovník autorizovaného servisu.

## SKLADOVÁNÍ

Před uskladněním odpojte spotřebič ze zásuvky, nechejte ho vychladnout a vyčistěte ho. Skladujte horkovzdušnou fritézu v původní krabici na čistém a suchém místě. Neomotávejte kabel pevně kolem spotřebiče. Nevývíjejte na kabel tlak v místě, kde vstupuje do jednotky, protože by se mohl rozedřít a zlomit.

Pokud se chystáte horkovzdušnou fritézu uskladnit na delší dobu, přesvědčte se, že je čistá a nejsou v ní zbytky jídel.

Skladujte horkovzdušnou fritézu na suchém místě, jako je stůl, kuchyňská linka nebo police kuchyňské skříňky.

# ODSTRAŇOVÁNÍ PROBLÉMŮ

Pokud se při používání horkovzdušné fritézy setkáte s problémy, řiďte se pokyny níže.

Horkovzdušná fritéza nefunguje	Spotřebič buď není zapojený do zásuvky nebo zapnutý.	Přesvědčte se, že je zástrčka zastrčená v zásuvce a zapnutá.
	Nenastavili jste teplotu nebo čas.	Nastavte čas a teplotu a stiskněte „ <b>START/ZRUŠIT</b> “.
	Vnitřní nádoba není správně usazená uvnitř jednotky	Zatlačte vnitřní nádobu do horkovzdušné fritézy tak, aby „zacvakla“.
Ingredience připravované v horkovzdušné fritéze nejsou hotové.	V koši na smažení je příliš mnoho jídla.	Vkládejte do koše na smažení menší dávky jídla. Menší dávky se smaží rovnoměrněji.
	Nastavená teplota je příliš nízká.	Nastavte teplotu na požadovanou hodnotu.
	Čas přípravy jídla je příliš krátký.	Nastavte časovač na požadovanou délku přípravy.
Drobná jídla z polotovarů nejsou po vytažení z horkovzdušné fritézy křupavá.	Použili jste polotovary, který se má připravovat v tradičním fritovacím hrnci.	Použijte polotovary, který je určený k přípravě v troubě, nebo polotovary lehce potřete olejem, aby byl po přípravě ve spotřebiči křupavější.
Je obtížné nebo nemožné zasunout vnitřní nádobu a koš na smažení správně do spotřebiče.	V koši na smažení je příliš mnoho jídla.	Nenaplňujte koš na smažení přespíliš.
	Koš na smažení není správně umístěn ve vnitřní nádobě.	Zatlačte koš na smažení směrem dolů do vnitřní nádoby, abyste uslyšeli lehké cvaknutí.
Ze spotřebiče vychází bílý kouř.	Připravujete mastné ingredience.	Když smažíte v horkovzdušné fritéze mastné ingredience, uniká do nádoby velké množství oleje. Olej může vytvářet bílý kouř a nádoba se může ohřát na vyšší teplotu, než je obvyklé. To však nemá vliv na spotřebič ani na výsledek přípravy jídla.
	Nádoba obsahuje zbytky mastnoty z předchozího použití.	Bílý kouř je způsoben zahříváním mastnoty ve vnitřní nádobě. Nezapomeňte po každém použití důkladně vyčistit koš na smažení a vnitřní nádobu.
Čerstvé hranolky se v horkovzdušné fritéze smaží nerovnoměrně.	Nepoužili jste správný druh brambor.	Použijte čerstvé brambory a dbejte, aby během smažení zůstaly pevné.
	Před smažením jste syrové hranolky nedostatečně propláchlí.	Důkladně propláchněte syrové hranolky, aby se z jejich povrchu odstranil škrob.
Čerstvé hranolky nejsou po vytažení z horkovzdušné fritézy křupavé.	Křupavost hranolek závisí na množství/typu oleje a na vodě v hranolcích.	Před přidáním oleje syrové hranolky řádně osušte.
		Nakrájejte brambory na silnější kousky – hranolky pak budou křupavější.
		Přidejte o něco více oleje – hranolky pak budou křupavější.

Pokud budou obtíže přetrvávat, kontaktujte telefonické centrum SHARP – kontaktní údaje najdete na začátku tohoto Návodu k použití.



### Vigtigt:

Dit produkt er markeret med dette symbol.

Det betyder, at brugte elektriske og elektroniske produkter ikke må blandes med almindeligt husholdningsaffald.

Der findes et separat indsamlingssystem til disse produkter.



[www.sharpconsumer.com/contact/](http://www.sharpconsumer.com/contact/)



[www.sharpconsumer.com/support/](http://www.sharpconsumer.com/support/)



[www.sharpconsumer.com/documents-of-conformity/](http://www.sharpconsumer.com/documents-of-conformity/)

## A. Oplysninger om bortskaffelse for brugere (private husholdninger)

### 1. I EU

Vigtigt: Hvis du vil bortskaffe dette udstyr, må du ikke bruge en almindelig skraldespand.

Brugt elektrisk og elektronisk udstyr skal behandles separat og i overensstemmelse med lovgivningen, der kræver korrekt behandling, indsamling og genbrug af brugt elektrisk og elektronisk udstyr. Efter implementeringen i medlemslandene kan private husholdninger inden for landene i EU gratis returnere deres brugte elektriske og elektroniske udstyr på angivne genbrugsstationer\*.

I nogle lande\* vil din lokale forhandler muligvis også modtage dit gamle produkt uden omkostninger, hvis du køber et tilsvarende nyt produkt.

\*) Kontakt de lokale myndigheder for yderligere detaljer.

Hvis dit brugte elektriske eller elektroniske udstyr indeholder batterier eller akkumulatører, skal du bortskaffe dette produkt i henhold til lokale krav. Ved at bortskaffe dette produkt på korrekt vis, hjælper du med at sikre, at affaldet underkastes den nødvendige behandling, genindvinding og genbrug og således forebygger potentielle, negative virkninger på miljøet og menneskers sundhed, som ellers kunne opstå som følge af u hensigtsmæssig håndtering af affaldet.

### 2. I lande uden for EU

Hvis du vil bortskaffe dette produkt, bedes du kontakte de lokale myndigheder og spørge efter den korrekte bortskaffelsesmetode.

I Schweiz: Brugt elektrisk eller elektronisk udstyr kan returneres gratis til forhandleren, selv hvis du ikke køber et nyt produkt.

Yderligere genbrugsstationer er angivet på hjemmesiden [www.swico.ch](http://www.swico.ch) eller [www.sens.ch](http://www.sens.ch).

## B. Oplysninger om bortskaffelse for erhvervsbrugere

### 1. I EU

Hvis produktet anvendes til forretningsformål og du vil bortskaffe det: Kontakt venligst din SHARP-forhandler, som vil informere dig om returnering af produktet. Du kan blive opkrævet for omkostningerne i forbindelse med returnering og genbrug. Mindre produkter (og små mængder) kan muligvis afleveres til din lokale genbrugsstation.

I Spanien: Kontakt venligst det etablerede indsamlingssystem eller de lokale myndigheder for returnering af dine brugte produkter.

### 2. I lande uden for EU

Hvis du vil bortskaffe dette produkt, bedes du kontakte de lokale myndigheder og spørge efter den korrekte bortskaffelsesmetode.

For at få oplysninger om service bedes du se [www.sharpconsumer.com/contact/](http://www.sharpconsumer.com/contact/). For at få oplysninger om dine garantirettigheder bedes du se [www.sharpconsumer.com/support/](http://www.sharpconsumer.com/support/) eller kontakt forhandleren, hvor du købte produktet.

Erklæringer om overensstemmelse kan hentes fra [www.sharpconsumer.com/documents-of-conformity/](http://www.sharpconsumer.com/documents-of-conformity/)

---

# INDHOLD

SIKKERHEDSANVISNINGER.....	3
SPECIFIKATIONER .....	6
AIRFRYER OG TILBEHØR .....	7
BETJENINGSPANEL .....	8
FØR DU BRUGER DIN AIRFRYER.....	8
BETJENINGSVEJLEDNING .....	9
Automatisk tilberedning.....	9
Tilbered fra frossen tilstand .....	10
Forvarmning.....	11
DREJEKNAP .....	12
VEDLIGEHOLDELSE UNDER BRUG .....	12
RENGØRINGSVEJLEDNING .....	12
OPBEVARING .....	12
FEJLFINDING .....	13


## SIKKERHEDSANVISNINGER

### **Ved brug af elektriske apparater skal grundlæggende sikkerhedsforanstaltninger altid efterleves, herunder de nedenstående:**

- Børn bør være under opsyn for at sikre, at de ikke leger med apparatet.
- Dette apparat er ikke beregnet til anvendelse af personer (heriblandt børn) med nedsatte fysiske, sensoriske eller mentale evner, eller manglende erfaring og viden, medmindre de er under opsyn eller får instruktion i brugen af apparatet af en person, der er ansvarlig for deres sikkerhed.
- Rengør kurven og inderskålen med en fugtig sæbeklud. Sørg for, kun at bruge mildt sæbevand.
- Rengør IKKE med metalskuresvampe. Stykker kan knække af svampen og berøre elektriske dele, hvilket kan medføre elektrisk stød. Der vil også opstå skader på overfladen.
- Tør enheden og alt tilbehør med en blød klud før opbevaring eller brug.
- Hvis der er pletter på kurven eller inderskålen, som er for svære at rengøre, skal de lægges i blød i varmt vand i ca. 10 minutter før rengøring.
- Friturekurven og inderskålen kan vaskes i opvaskemaskine.
- Overfyld IKKE under tilberedning. Overfyldning kan forårsage personskade eller tingskade eller påvirke sikker brug af apparatet.
- Brug IKKE olie eller anden væske i inderskålen.
- Brug IKKE apparatet til friturestegning i olie.
- Sørg for, at maden er forberedt og tilberedt korrekt for at undgå sundhedsfare.
- Undgå, at maden kommer i kontakt med varmelegemerne.
- Sørg ALTID for, at apparatet er korrekt samlet, før det tages i brug.
- Placer IKKE følgende materialer i airfryeren: Pap, plastik,

---

papir eller lignende.

- Opbevar IKKE andre materialer end det medfølgende tilbehør i airfryeren, når de ikke er i brug.
- Brug IKKE apparatet til andre formål, end det er beregnet til.
- Brug det IKKE udendørs.
- Hvis der er behov for rådgivning om dette produkt, skal du kontakte din SHARP Help Line
- Hold kun apparatet i håndtagene, og brug sådanne varmebeskyttende foranstaltninger som f.eks. handsker eller grydelapper.
- Læs alle disse instruktioner for at sikre, at du er fortrolig med brugen af denne airfryer. Rør IKKE ved varme overflader, hvor det er muligt, brug håndtag eller betjeningsanordninger (afhængigt af model).
- Brug af tilbehør, som ikke er anbefalet, da det kan forårsage farer eller skader.
- Dette produkt er udelukkende beregnet til brug i PRIVATE HJEM.
- For at undgå, at inderskålen falder ned på gulvet, skal du anbringe den på en stabil overflade, før du løfter airfryerkurven op.
- Under brug skal du sørge for, at håndtaget peger mod dig selv.
- **FORSIGTIG:** Mærket  betyder, AT APPARATETS OVERFLADER ER VARME UNDER ELLER EFTER BRUG. Rør IKKE ved varme overflader.
- Tildæk IKKE luftindsugningsventilen eller luftudblæsningen, mens apparatet er i drift. Hvis du gør det, forhindres madlavning, og apparatet kan blive beskadiget eller overophede.
- Rør IKKE ved tilbehør under eller umiddelbart efter tilberedningen.
- Der skal udvises stor forsigtighed, når apparatet indeholder varm mad. Forkert brug kan medføre personskade.
- Lad apparatet stå efter brug, så den har tilstrækkelig tid til at

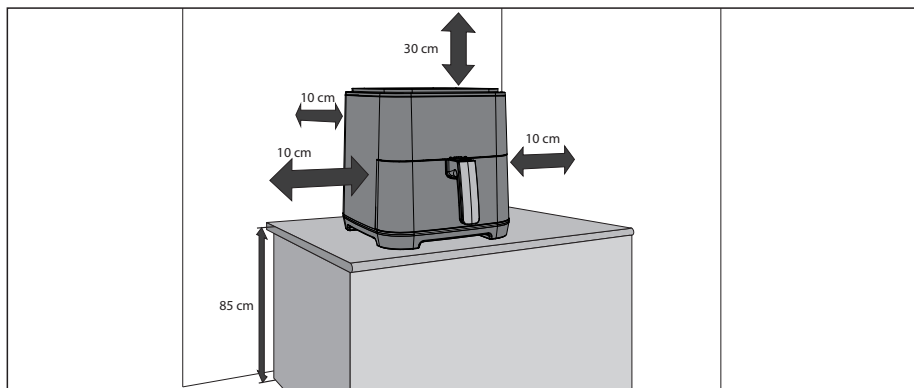


køle af.

- Lad din airfryer køle af, før du rengør den.
- ADVARSEL: Da denne airfryer bliver varm under brug, og visse overflader kan udvikle høje temperaturer. Når du opfatter høj varme, skal dette apparat anvendes med forsigtighed.
- Brug beskyttende, isolerede handsker, når du rører ved varme overflader eller friturekurven, inderskålen og madvarer.
- Når du bruger dette apparat, skal du sørge for tilstrækkelig plads over og på alle sider til luftcirkulation. Sørg ALTID for, at inderskålen er lukket korrekt, før du tager apparatet i brug.
- Lad IKKE strømkablet hænge ud over kanten af arbejdsfladen eller røre ved varme overflader.
- Brug IKKE apparatet, hvis netledningen eller stikket på nogen måde er beskadiget, eller hvis apparatet ikke fungerer korrekt, eller hvis det er blevet beskadiget på anden måde.
- Strømkablet eller stikket må IKKE udskiftes eller ændres.
- Brug IKKE en forlængerledning.
- Sørg for, at der er adgang til stikkontakten/kontakten, når airfryeren er i brug.
- Denne airfryer er ikke beregnet til at blive betjent ved hjælp af en ekstern timer eller separat fjernstyringssystem.
- Tag stikket ud af stikkontakten, når apparatet ikke er i brug, eller før rengøring.
- Når du tager strømstikket ud af stikkontakten, skal du altid holde i stikket og aldrig trække i ledningen.
- Når du er færdig med at bruge airfryeren, skal du trykke på STOP/CANCEL (stop/annuller) for at vende tilbage til standbytilstand og derefter tage stikket ud af stikkontakten.
- Beskyttelse mod elektrisk stød. Nedsænk ikke netledningen, stikket eller apparatet i vand eller andre væsker.
- Dæk IKKE nogen del af airfryeren, mens den er i brug, da den derved vil overophede.

- Placer IKKE airfryeren på varme overflader, i nærheden af varm gas/elektriske brændere eller i en opvarmet ovn.
- Når du bruger airfryeren, skal du have mindst 100 mm plads på alle sider, så der er tilstrækkelig luftcirkulation.

OPBEVAR DISSE INSTRUKTIONER PÅ ET SIKKERT STED TIL FREMTIDIG REFERENCE



## SPECIFIKATIONER

Modelnavn	GS404A
Airfryer effekt (W)	1300.
Airfryer temperaturniveauer (Celsius)	80 °C til 200 °C
8 Automatiske programmer	Pommes frites, oksekød, grøntsager, lille kylling, bacon, fisk, kartofler, pizza
2 funktioner	Forvarmning, tilberedning fra frossen tilstand
Kapacitet (liter)	4,0
Betjeningspanel	Digital med drejeknap
Belægning på friturekurv	Slip-let
Friturekurv størrelse (Diameter x Højde i mm)	Ø 190 x 50
Belægning på inderskålen	Slip-let
Inderskålens størrelse (Diameter x Højde i mm)	200 x 120
Længde på netledning (mm)	900.
Støjniveau (dB)	55 - 62
Strømförbrug (W)	1300.
Krævet effekt	220-240 V 50 Hz
Standby-strømförbrug (W)	<0.5
Størrelse (B x H x D i mm)	261 x 338 x 327
Vægt (kg)	4,5.

Dette produkt overholder relevante regulativer og standarder for Storbritannien og EU.

SOM EN DEL AF EN POLITIK OM KONTINUERLIG FORBEDRING FORBEHOLDER VI OS RET TIL AT ÆNDRE DESIGNET OG SPECIFIKATIONERNE UDEN VARSEL.

## AIRFRYER OG TILBEHØR

**Gør dig bekendt med følgende funktioner og tilbehør til airfryeren før første brug:**

**Inderskål:** Placer friturekurven i inderskålen, og sæt derefter inderskålen ind i airfryeren.

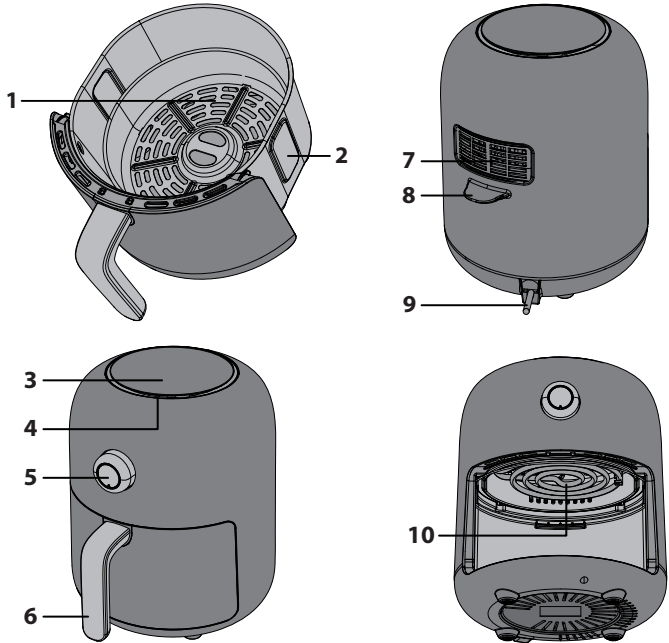
**Friturekurven:** Placer maden i friturekurven, og sæt derefter friturekurven ned i inderskålen for at tilberede maden.

**BEMÆRK:** For at undgå, at inderskålen falder ned på gulvet, skal du anbringe den på en stabil overflade, før du løfter airfryerkurven, op.

**Udblæsningsåbning:** Der vil være varm damp, der kommer ud af udblæsningsåbningen under brug (dette er normalt). Hold hænder og ansigt væk fra åbningen under madlavning for at undgå skoldning.

**Håndtag:** Dette bruges til at flytte inderskålen og friturekurven ind og ud af airfryeren.

1. Friturekurv
2. Inderskål
3. Betjeningspanel
4. Luftindtag
5. Jog-hjul
6. Håndtag på friturekurv
7. Udblæsningsåbning
8. Holdehåndtag
9. Netledning
10. Varmeelement



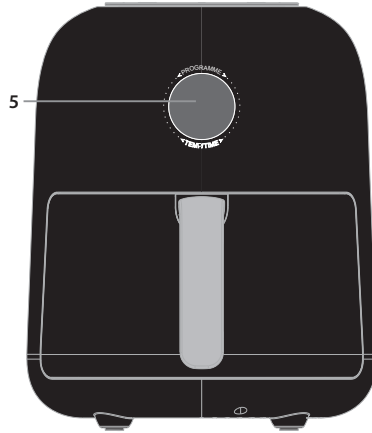
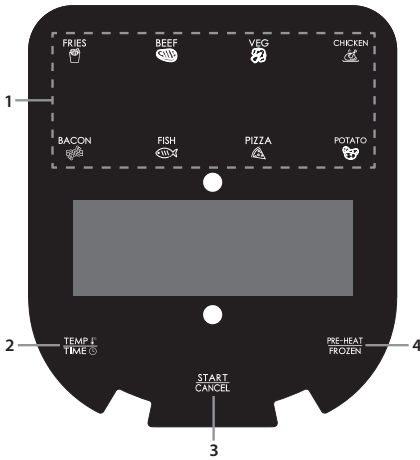
### RETNING AF LUFTSTRØMMEN

Ved tilberedning bevæges den varme luft fra elementet rundt som vist på billedet nedenfor. Dette sikrer, at maden tilberedes jævnt ved den indstillede temperatur og tidsperiode. Brug ikke materialer som metalfolie, der kan hindre luftstrømmen, eller fyld ikke friturekurven for meget.



## BETJENINGSPANEL

1. **Auto-tilberedningsknapper** – Automatiske tilberedningsprogrammer. Vælg mellem 8 muligheder.
2. **Temperature/Time** – (Temperatur/tid) Brug denne knap til at styre temperaturen og tiden manuelt.
3. **Start/Cancel** – (Start/annuller/pause) Start airfryeren eller annuller eller sæt den på pause.
4. **Pre-Heat/Frozen** – (Forvarmning/tilberedning fra frossen tilstand) Bruges til at forvarme airfryeren til den indstillede tilberedningstemperatur eller til at tilberede mad fra frossen tilstand.
5. **Dial Control** – (Drejeknap) Bruges til at justere tid og temperatur.



## FØR DU BRUGER DIN AIRFRYER

Før du bruger din airfryer første gang, anbefales det, at inderskålen og friturekurven rengøres i varmt sæbevand eller i opvaskemaskinen, efter at du har pakket dem helt ud og fjernet emballagen. Tør derefter alt tilbehør grundigt, og saml det igen i airfryeren. Brug en fugtig klud på den ydre kappe og de indvendige dele, og tør dem, før du bruger dem.

Sæt stikket i stikkontakten, og indstil enheden til at tilberede pommes frites (kom ikke mad i enheden). Dette vil tænde enheden ved 180°C i 23 minutter, så eventuelle rester, der kan have klæbet til varmelementet under fremstillingen, kan forsvinde.

Det anbefales at læse denne vejledning grundigt før brug.

# BETJENINGSVEJLEDNING

## Din airfryer har flere forskellige driftstilstande:

**Automatisk tilberedning** – vælg en af de 8 forprogrammede tilberedningsmuligheder.

**Tilbered fra frossen tilstand** - Tilbered fra frossen tilstand (kun grøntsager, pizza og pommes frites).

**Forvarmning** - Sørg for, at din airfryer har den korrekte temperatur, før du begynder tilberedningen.

### Bemærkninger om tilberedning

- Mængden af mad må ikke fylde mere end 4/5 af den samlede mængde af friturekurven.
- Tilberedningstemperaturen og -tiden kan justeres under tilberedningen.
- Hvis du vil sætte tilberedningen på pause, skal du trække den inderste gryde ud af enheden; når den skubbes ind igen, starter enheden automatisk.
- Hvis du vil annullere tilberedningen, skal du trykke på knappen "**START/CANCEL**" (stop/annuller) to gange.
- Noget mad skal omrøres/rystes under tilberedningen: Træk den indvendige gryde ud af enheden, rør/ryst efter behov, og sæt derefter den indvendige gryde tilbage i Air Fryer; Air Fryer genstarter automatisk.
- Sørg for, at maden er tilberedt korrekt. Hvis maden er undertilberedt, skal du vende tilbage til airfryeren og tilberede maden i længere tid.
- For at undgå, at inderskålen falder ned på gulvet, skal du anbringe den på en stabil og varmesikret overflade, før du løfter airfryerkurven ud.
- Tilbered kun mad i airfryeren.
- Må IKKE anvendes til traditionel friturestegning i olie.

## Automatisk tilberedning

For at gøre det nemt og bekvemt er der 8 automatiske tilberedningsprogrammer. De er nemme at få adgang til via de dedikerede knapper på kontrolpanelet.

I eksemplet nedenfor tilberedes der oksekød. Det er ikke nødvendigt at justere temperaturen eller tidspunktet, medmindre du ønsker, at maden tilberedes mere eller mindre.



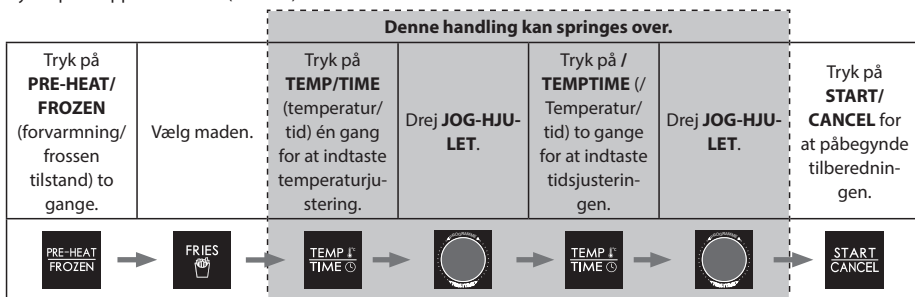
1. Placer maden der skal tilberedes, jævnt i friturekurven.
2. Placer friturekurven i inderskålen. Indsæt inderskålen i airfryeren.
3. Sæt airfryerens stik i stikkontakten.
4. Vælg den ønskede mad ved at trykke på knappen til automatisk tilberedning på kontrolpanelet. Standardtemperaturen og -tiden blinker i LED-displayet.
  - a. Tryk om nødvendigt på knappen "**TEMP/TIME**" (temperatur/tid) én gang, og drej derefter på **JOG-HJULET** for at indstille den ønskede tilberedningstemperatur.
  - b. Tryk om nødvendigt på knappen "**TEMP/TIME**" (Temperatur/tid) to gange, og tryk derefter på **JOG-HJULET** for at indstille den ønskede tilberedningstid.
5. Tryk på knappen "**START/CANCEL**" (Start/annuller) for at påbegynde tilberedningen. Tiden begynder at tælle ned.
6. Når tilberedningen er afsluttet, udsender airfryeren en lyd, og den vender tilbage til standbytilstand.
7. Træk forsigtigt inderskålens håndtag ud, og tag straks maden ud af friturekurven, ellers fortsætter varmen, der er tilbage i airfryeren, med at varme og udtørre maden.

**Bemærk:** Hvis du ændrer tilberedningstiden for den automatiske tilberedning af mad, er det kun muligt at øge maksimum med 30 %. Dette er for at undgå risikoen for at brænde maden.

Madvare	Vægt	Indledende temperatur af madvarerne	Tilberedningstid	Maksimal ekstra tilberedningstid	Vend om	Tilbered fra frosen tilstand	Temperatur	Kommentarer
Pommes frites	200 g til 500 g	Rumtemperatur	15 - 20	23.	Ja	26.	180.	Do not overload the pot.
Oksekød	150 g til 500 g		8 - 12	16.	Ja	-	200.	Op til 270 g bøffer kan tilberedes
Grøntsag	100 g til 400 g		10.	13.	Ja	14.	190.	Cut up vegetables into pieces 2 x 3cm.
Kylling	800 g til 1000 g		30.	39.	Ja	-	190.	Hel kylling eller store stykker
Bacon	4 til 6 skiver bacon		9.	12.	-	-	180.	Fordel baconskiverne jævnt i friturekurven.
Fisk	100 g til 500 g		12.	16.	Ja	-	200.	Place fish pieces directly onto the base of the frying basket.
Kartoffel	250 g hver		40.	52.	Ja	-	200.	Læg op til 3 kartofler på 250 gram hver i friturekurven
Pizza	100 g til 400 g		13.	17.	-	18.	160.	Place whole or pizza pieces directly in the frying basket.

## Tilbered fra frosen tilstand

Hvis du vil tilberede mad fra frosen tilstand, skal du følge instruktionerne for automatisk tilberedning, men først trykke på knappen "Frozen" (Frossen).



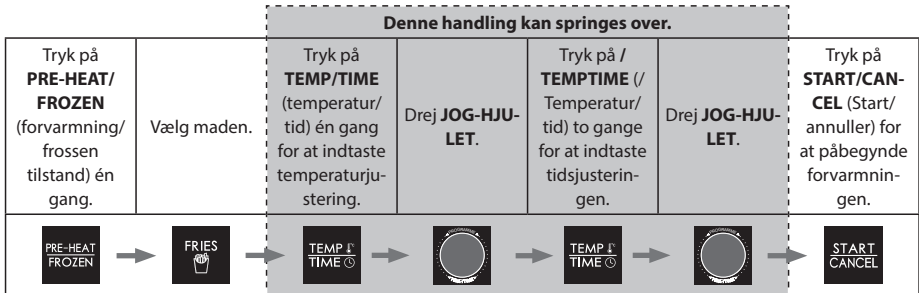
- Placer maden der skal tilberedes, jævnt i friturekurven.
- Placer friturekurven i inderskålen. Indsæt inderskålen i airfryeren.
- Sæt airfryerens stik i stikkontakten.
- Tryk på knappen "PRE-HEAT/FROZEN" (Forvarmning/tilberedning fra frosen tilstand) to gange.
- Vælg den ønskede funktion ved at trykke på knappen til funktionen på kontrolpanelet. Standardtemperaturen og -tiden blinker i LED-displayet.
  - Tryk om nødvendigt på knappen "TEMP/TIME" (temperatur/tid) én gang, og drej derefter på **JOG-HJULET** for at indstille den ønskede tilberedningstemperatur.
  - Tryk om nødvendigt på knappen "/TEMPTIME" (Temperatur/tid) to gange, og tryk derefter på **JOG-HJULET** for at indstille den ønskede tilberedningstid.
- Tryk på knappen "START/CANCEL" (Start/annuller) for at påbegynde tilberedningen. Tiden begynder at tælle ned.
- Når tilberedningen er afsluttet, udsender airfryeren en lyd og vender tilbage til standbytilstand.
- Tryk på Åbn-knappen, og træk inderskålens håndtag ud forsigtigt, og tag maden ud.

Det er kun muligt at lave mad fra frosen tilstand til **POMMES FRITES**, **GRØNTSAGER** og **PIZZA**.

Hvis du vil tilberede andre frosne fødevarer, skal du se i vejledningen til madlavning.

## Forvarmning

For at sikre, at din airfryer har den korrekte temperatur til tilberedning af maden, er der en forvarmningsfunktion, som kan bruges før automatisk tilberedning, manuel tilberedning. Du skal blot trykke én gang på forvarmningsknappen, før du vælger en anden funktion.



- Placer friturekurven i inderskålen. Indsæt inderskålen i airfryeren.
- Sæt airfryerens stik i stikkontakten.
- Tryk på knappen **PRE-HEAT/FROZEN** (Forvarmning/genopvarmning) én gang.
- Vælg den ønskede type mad ved at trykke på knappen til automatisk tilberedning på kontrolpanelet. Standardtemperaturen og -tiden blinker i LED-displayet.
  - Tryk om nødvendigt på knappen "**TEMP/TIME**" (temperatur/tid) én gang, og drej derefter på **JOG-HJULET** for at indstille den ønskede tilberedningstemperatur.
  - Tryk om nødvendigt på knappen "**TEMP/TIME**" (Temperatur/tid) to gange, og tryk derefter på **JOG-HJULET** for at indstille den ønskede tilberedningstid.
- Tryk på knappen "**START/CANCEL**" (Start/annuller).
- Når airfryeren har nået den korrekte forvarmningstemperatur, kan der høres en lyd.
- Tag inderskålen ud, og fordel den mad, der skal tilberedes, jævnt i friturekurven.
- Sæt inderskålen/friturekurven tilbage i airfryeren.
- Air Fryer starter automatisk, og tiden tæller ned.
- Når tilberedningen er afsluttet, udsender airfryeren en lyd og vender tilbage til standbytilstand.
- Træk indergryden ud, og husk at håndtere den forsigtigt og tage maden ud af friturekurven med det samme, ellers vil den varme, der er tilbage i frituregryden, fortsætte med at tilberede og udtørre din mad.

## DREJEKNAP

Drejeknappen på din Airfryer har flere funktioner, hvoraf nogle er identiske med knapperne på kontrolpanelet. Når din Airfryer er tilsluttet lysnettet, går den i funktionsindstillingstilstand og viser temperatur og tid for den første automatiske programtilstand.

For at vælge den ønskede auto-menu skal du dreje knappen og derefter trykke på midten af knappen én gang for at bekræfte, når dit menu navn blinker. Hvis den temperatur og tid, der vises i displayet, er passende, skal du trykke på **START/CANCEL**-knappen (start/annuller) på det øverste betjeningspanel for at starte tilberedningen.

Hvis det er nødvendigt, kan du justere tilberedningstemperaturen og tiden for den valgte menu, før du trykker på **START/CANCEL**-knappen (start/annuller) for at starte tilberedningen.

1. Tryk på knappen, hvorefter temperaturdisplayet begynder at blinke.
2. Drej knappen for at indstille den ønskede tilberedningstemperatur.
3. Tryk på knappen for at bekræfte temperaturindstillingen. Tidscifrene blinker nu.
4. Drej knappen for at indstille den ønskede tilberedningstid.
5. Tryk på midten af knappen for at starte tilberedningsprocessen.

Hvis du vil annullere tilberedningen, skal du trykke på midten af knappen.

## VEDLIGEHOLDELSE UNDER BRUG

Dette apparat kræver kun lidt vedligeholdelse, når det er i brug. Rengør din airfryer efter hver brug for at forlænge dens levetid.

Denne airfryer indeholder ingen dele, der kan serviceres af brugeren. Forsøg ikke selv at reparere den. Hvis det usandsynlige skulle ske, at der opstår fejl, skal du kontakte SHARP Call Center ved hjælp af oplysningerne i starten af denne brugervejledning.

## RENGØRINGSVEJLEDNING

**FORSIGTIG:** NEDSÆNK IKKE AIRFRYEREN I VAND ELLER ANDRE VÆSKER for at beskytte mod elektrisk stød.

Din airfryer skal rengøres regelmæssigt for at opnå den bedste ydeevne og lang levetid. Regelmæssig rengøring reducerer også risikoen for brand. Ved rengøring skal du følge nedenstående instruktioner:

1. Tag netstikket ud af stikkontakten. Lad din airfryer køle af.
2. Rengør friturekurven og inderskålen med en fugtig, sæbeklud. Sørg for kun at bruge mildt sæbevand. Hvis madresterne i kurven eller inderskålen er for svære at rengøre, skal de lægges i blød i varmt vand i ca. 10 minutter.
3. Rengør varmelegemerne med en tør og blød klud.
4. Aftør ydersiden af din airfryer med en blød klud, og tør den.

**FORSIGTIG:** ANVEND IKKE SKUREMIDLER ELLER NOGEN SLAGS SKUREMATERIALE på overfladen af friturekurven og inderskålen. Sørg for kun at bruge mildt sæbevand. Skuremidler, skurebørster og kemiske rengøringsmidler vil beskadige belægningen på apparatet.

Ud over den anbefalede rengøring bør der ikke foretages yderligere vedligeholdelse.

Al anden service skal udføres af en autoriseret service skal udføres af en autoriseret servicerepræsentant.

## OPBEVARING

Tag apparatet ud af stikkontakten, lad det køle af, og rengør det, før det stilles væk. Opbevar airfryeren i sin kasse et rent og tørt sted. Stil aldrig apparatet til side, mens det er varmt eller stadig er tilsluttet. Rul aldrig ledningen tæt omkring airfryeren. Læg ikke noget pres på ledningen, der hvor den kommer ind i apparatet, da det kan få ledningen til at flosse og knække.

Hvis du opbevarer airfryeren i længere tid, skal du sørge for, at den er ren og fri for madpartikler. Opbevar airfryeren på et tørt sted, f.eks. på et bord eller på køkkenbordet eller på en hyld i et skab.



## FEJLFINDING

Hvis du oplever problemer med din airfryer, skal du følge vejledningen nedenfor.

Airfryeren virker ikke	Apparatet er enten ikke sat i stikkontakten eller kontakten er ikke tændt.	Sørg for, at netstikket er sat i en stikkontakt og er tændt.
	Du har ikke indstillet tid eller temperatur.	Indstil tid og temperatur, og tryk derefter på <b>"START/CANCEL"</b> (Start/annuller).
	Inderskålen er ikke sat rigtigt ind i airfryeren.	Tryk inderskålen ind i airfryeren, indtil det siger "klik".
Ingredienserne, der tilberedes i airfryeren, er ikke færdige.	Der er for megen mad i friturekurven.	Læg mindre portioner mad i friturekurven. Mindre portioner tilberedes mere jævnt.
	Den indstillede temperatur er for lav.	Juster temperaturen til den ønskede temperaturindstilling.
	Tilberedningstiden er for kort.	Juster tiden til den krævede tilberedningstid.
Tilberedte snacks bliver ikke sprøde, når de tages ud af airfryeren.	Du har brugt en type snack, der er beregnet til tilberedning i en traditionel frituregryde.	Brug snacks, der er lavet til at blive tilberedt i ovnen, eller pensl lidt olie på snacksene for at opnå et sprødere resultat.
Det er svært eller umuligt at skubbe inderskålen og friturekurven ordentligt ind i apparatet.	Der er for megen mad i friturekurven.	Fyld ikke for meget på friturekurven.
	Friturekurven er ikke placeret korrekt i inderskålen.	Skub friturekurven ned i inderskålen, til du hører et svagt klik.
Hvid røg kommer ud af airfryeren.	Du tilbereder fedtede ingredienser.	Når du tilbereder fedtede ingredienser i airfryeren, drypper der en stor mængde olie ned i skålen. Denne olie kan ryge hvidt, og gryden kan varme op mere end normalt. Dette påvirker ikke apparatet eller slutresultatet.
	Skålen indeholder stadig fedtresten fra tidligere brug.	Hvid røg skyldes, at fedtet opvarmes i inderskålen. Sørg for at rengøre friturekurven og inderskålen grundigt efter hver brug.
Friske pommestruer bliver tilberedt uensartet i airfryeren.	Du har ikke brugt den rigtige type kartofler.	Brug friske kartofler, og sørg for, at de forbliver faste under tilberedningen.
	Du har ikke skyllet kartoffelsticks tilstrækkeligt, før du tilberedte dem.	Skyl kartoffelsticks grundigt for at fjerne stivelse fra ydersiderne af sticksene.
Friske pommestruer er ikke sprøde, når de tages ud af airfryeren.	Sprødheden af pommestruer afhænger af mængden/typen af olie og vand i kartoflerne.	Sørg for at tørre kartoffelsticks ordentligt, før du tilsætter olie.
		Skær kartoflerne i tyndere stave for at opnå et sprødere resultat.
		Tilsæt lidt mere olie for at opnå et sprødere resultat.

Hvis du stadig har problemer, skal du kontakte SHARP Call Center ved hjælp af oplysningerne i starten af denne brugervejledning.



### **Achtung:**

Ihr Produkt ist mit diesem Symbol gekennzeichnet.

Dies bedeutet, dass Elektro-Altgeräte nicht mit dem allgemeinen Hausmüll vermisch werden dürfen.

Es gibt ein separates Sammelsystem für diese Produkte.



[www.sharpconsumer.com/contact/](http://www.sharpconsumer.com/contact/)



[www.sharpconsumer.com/support/](http://www.sharpconsumer.com/support/)



[www.sharpconsumer.com/documents-of-conformity/](http://www.sharpconsumer.com/documents-of-conformity/)

## **A. Entsorgungsinformationen (für private Haushalte)**

### **1. In der EU**

Achtung: Bitte entsorgen Sie das Gerät nicht über den Hausmüll! Elektro-Altgeräte müssen getrennt vom übrigen Abfall und gemäß den gültigen gesetzlichen Vorschriften zur Entsorgung und zum Recycling elektrischer und elektronischer Altgeräte behandelt werden.

Gemäß der Umsetzung der Altgeräte Richtlinie seitens der Mitgliedsstaaten können Privathaushalte in der Europäischen Union ihre elektrischen und elektronischen Altgeräte an dafür vorgesehenen Entsorgungsstellen kostenlos abgeben.

In einigen Ländern\* kann auch Ihr örtlicher Händler Ihr Altgerät kostenlos entgegennehmen, wenn Sie ein vergleichbares Neugerät kaufen.

\* Kontaktieren Sie hierfür bitte Ihre örtlichen Behörden.

Wenn Ihr Elektroaltgerät Batterien oder Akkus enthält, sollten Sie diese vorher getrennt entsorgen, gemäß den örtlichen Anforderungen. Wenn Sie dieses Produkt korrekt entsorgen, tragen Sie zu einer korrekten Schadstoffbehandlung und zu einem effizienten Recycling und im Endeffekt zum Umweltschutz und zur Verhinderung von eventuellen Gesundheitsrisiken bei.

### **Informationen gültig für Deutschland**

Altgeräte sind getrennt zu sammeln und zu entsorgen. Besitzer von Altgeräten tragen damit zur sicheren Entsorgung bei und helfen, mögliche umwelt- oder gesundheitsschädliche Folgen zu vermeiden.

Entnehmbare Lampen, die zerstörungsfrei zu entnehmen sind, sind vor der Entsorgung zu entfernen und getrennt zu behandeln.

Informationen über geschaffene Sammel- bzw. Rückgabemöglichkeiten sowie die Verpflichtungen des Handels/der Vertreter gegenüber Endnutzern zur kostenfreien Rücknahme von Altgeräten finden Sie auf der lokalen Website des Herstellers des Produktes ([www.sharpconsumer.eu](http://www.sharpconsumer.eu)), oder wenden Sie sich an den Händler, von dem das Produkt bezogen wurde.

Die Verantwortung für das Löschen von personenbezogenen Daten, die sich auf dem zu entsorgenden Gerät befinden, liegt beim Endnutzer.

Das Symbol mit der durchgestrichenen Mülltonne weist darauf hin, dass Produkte und/oder Verpackungen getrennt vom Hausmüll gesammelt und entsorgt werden müssen. Der schwarze Balken zeigt an, dass das Produkt nach dem 13. August 2005 auf den Markt gebracht wurde.

### **2. In Nicht-EU-Ländern**

Bitte kontaktieren Sie Ihre örtlichen Behörden für mehr Informationen über die korrekte Entsorgung Ihres Produkts.

Für die Schweiz: Gebrauchte elektrische und elektronische Geräte können beim Händler kostenlos abgegeben werden, auch wenn kein neues Produkt gekauft wird. Weitere Einrichtungen zur Entsorgung finden Sie auf der Homepage von [www.swico.ch](http://www.swico.ch) oder [www.sens.ch](http://www.sens.ch).

## **B. Entsorgungsinformationen für gewerbliche Nutzer**

### **1. In der EU**

Wenn das Produkt für gewerbliche Zwecke benutzt wurde und Sie es entsorgen möchten:

Kontaktieren Sie bitte Ihren SHARP-Händler, der Sie über die Zurücknahme des Produkts informieren wird. Es könnten Ihnen dabei Rücknahme- und Recyclingkosten in Rechnung gestellt werden. Kleine Produkte (und kleine Mengen) werden möglicherweise auch von ihrem örtlichen Recyclinghof entgegengenommen.

In Spanien: Kontaktieren Sie bitte ihr örtliches Entsorgungsunternehmen oder die örtlichen Behörden, um mehr über die Entsorgung Ihrer Altgeräte zu erfahren.

### **2. In Nicht-EU-Ländern**

Bitte kontaktieren Sie Ihre örtlichen Behörden für mehr Informationen über die korrekte Entsorgung Ihres Produkts.

# INHALTSVERZEICHNIS

SICHERHEITSHINWEISE.....	3
TECHNISCHE DATEN.....	7
HEISSLUFTFRITTEUSE UND ZUBEHÖR.....	8
BEDIENFELD.....	9
VOR DER BENUTZUNG IHRER HEISSLUFTFRITTEUSE.....	9
BETRIEBSANLEITUNG.....	10
Automatischer Garvorgang.....	10
Garen gefrorener Speisen.....	11
Vorheizen.....	12
DREHREGLER.....	12
WARTUNG WÄHREND DER BENUTZUNG.....	13
REINIGUNGSHINWEISE.....	13
LAGERUNG.....	13
FEHLERBEHEBUNG.....	14


## SICHERHEITSHINWEISE

### **Bei der Verwendung eines Elektrogeräts sollten grundlegende Sicherheitsvorkehrungen befolgt werden, einschließlich der Folgenden:**

- Kinder sollten beaufsichtigt werden, um sicherzustellen, dass sie NICHT mit dem Gerät spielen.
- Dieses Gerät ist nicht für die Verwendung durch Personen (einschließlich Kinder) mit eingeschränkten physischen, sensorischen oder geistigen Fähigkeiten, oder einem Mangel an Erfahrung und Wissen bestimmt, sofern sie keine angemessene Aufsicht oder ausführliche Anleitung zur Benutzung des Geräts durch eine verantwortliche Person für ihre Sicherheit erhalten haben.
- Reinigen Sie den Frittierkorb und den Innentopf mit einem feuchten, seifenhaltigen Tuch. Verwenden Sie dazu nur milde Seifenlauge.
- Benutzen Sie zur Reinigung KEINE Scheuerschwämme aus Metall. Es könnten Teile davon abbrechen und mit elektrischen Bauteilen in Berührung kommen – dies könnte zu einem Stromschlag führen. Außerdem können sie die Oberfläche beschädigen.
- Trocknen Sie das Gerät und alle Teile mit einem weichen Tuch, bevor Sie es einlagern oder benutzen.
- Wenn sich Flecken auf dem Korb oder dem Innentopf befinden, die sich nur schwer entfernen lassen, weichen Sie sie vor der Reinigung etwa zehn Minuten lang in warmem Wasser ein.
- Der Frittierkorb und der Innentopf sind spülmaschinenfest.
- Bei der Zubereitung von Speisen dürfen Sie das Gerät NICHT überfüllen. Ein Überfüllen kann zu Verletzungen oder Sachschäden führen oder die sichere Nutzung des Geräts beeinträchtigen.
- Verwenden Sie im Innentopf KEIN ÖL und KEINE andere Flüssigkeiten.

sigkeit.

- Verwenden Sie dieses Gerät NICHT zum Frittieren mit Fett.
- Versichern Sie sich, dass die Lebensmittel richtig zubereitet und gegart werden, um jegliche Gesundheitsgefährdung auszuschließen.
- Achten Sie darauf, dass die Lebensmittel nicht mit den Heizelementen in Berührung kommen.
- Achten Sie IMMER darauf, dass das Gerät vor dem Gebrauch richtig zusammengebaut ist.
- Geben Sie KEINE der folgenden Materialien in die Heißluftfritteuse: Pappe, Plastik, Papier oder Ähnliches.
- Wenn die Heißluftfritteuse nicht in Gebrauch ist, dürfen Sie KEINE anderen Materialien als das mitgelieferte Zubehör darin aufbewahren.
- Verwenden Sie das Gerät für KEINEN anderen als den vorgesehenen Zweck.
- Benutzen Sie das Gerät NICHT im Freien.
- Sie brauchen einen Rat zu diesem Produkt? Dann wenden Sie sich an die Sharp Help Line.
- Halten Sie das Gerät nur an den dafür vorgesehenen Griffen und wenden Sie entsprechende Hitzeschutzmaßnahmen an – tragen sie beispielsweise Handschuhe oder Topflappen.
- Lesen Sie diese Anleitung vollständig durch, damit sie auch wirklich mit der Bedienung dieser Heißluftfritteuse vertraut sind. Berühren Sie NICHT die heißen Oberflächen, sondern verwenden Sie nach Möglichkeit Griffe oder Hilfsmittel (je nach Modell).
- Die Verwendung von Zubehör, das nicht empfohlen wird, kann eine Gefahr darstellen oder zu einer Verletzung führen.
- Dieses Gerät wurde NUR FÜR DEN HAUSGEBRAUCH entwickelt.
- Um ein Herunterfallen des Innentopfes zu verhindern, stellen Sie den Innentopf auf eine stabile Unterlage, bevor Sie den Frittierkorb anheben.

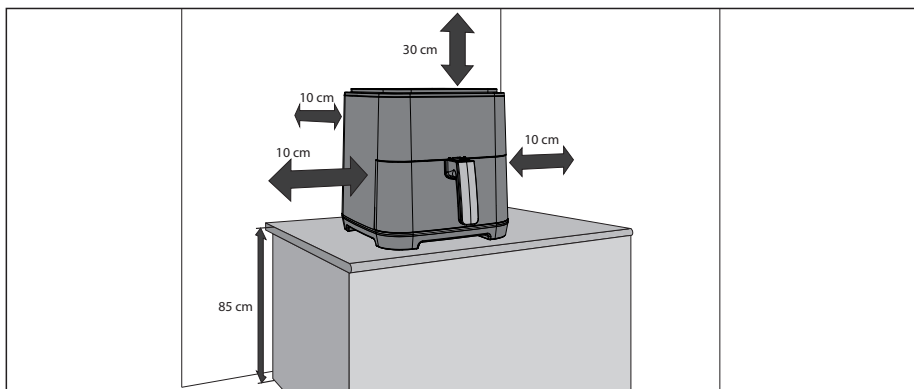
- 
- Vergewissern Sie sich bei der Benutzung, dass der Griff zu Ihnen zeigt.
  - ACHTUNG: Die Markierung  bedeutet: DIE OBERFLÄCHEN DES GERÄTS SIND WÄHREND ODER NACH DEM GEBRAUCH HEISS. Berühren Sie NICHT die heißen Oberflächen.
  - Decken Sie die Lufteinlass- oder Luftauslassöffnung NICHT ab, während das Gerät in Betrieb ist. Ein derartiges Abdecken verhindert das gleichmäßige Garen und das Gerät kann beschädigt werden oder überhitzen.
  - Während oder unmittelbar nach dem Garvorgang dürfen Sie das Zubehör NICHT berühren.
  - Wenn im Gerät heiße Lebensmittel sind, müssen Sie äußerste Vorsicht walten lassen. Eine unsachgemäße Handhabung kann zu Verletzungen führen.
  - Lassen Sie das Gerät nach dem Gebrauch ausreichend lange abkühlen.
  - Lassen Sie Ihre Heißluftfritteuse vor der Reinigung abkühlen.
  - ACHTUNG: Diese Heißluftfritteuse wird während des Gebrauchs heiß und einige Oberflächen können hohe Temperaturen entwickeln. Da Menschen temperatursensibel sind, sollte dieses Gerät mit Vorsicht verwendet werden.
  - Tragen Sie isolierte Schutzhandschuhe, wenn Sie heiße Oberflächen oder den heißen Frittierkorb, den heißen Innentopf und die heißen Lebensmittel berühren.
  - Bei der Nutzung dieses Geräts müssen Sie darauf achten, dass oberhalb und an allen Seiten ausreichend Platz für die Luftzirkulation vorhanden ist. Versichern Sie sich STETS, dass der Innentopf vor dem Betrieb richtig geschlossen ist.
  - Das Netzkabel darf NICHT über die Kante der Arbeitsfläche hängen und es darf KEINE heißen Oberflächen berühren.
  - Sie dürfen das Gerät NICHT verwenden, wenn das Netzkabel oder der Netzstecker beschädigt sind, wenn bei dem Gerät eine Fehlfunktion aufgetreten ist oder es in anderer Weise

beschädigt wurde.

- Ersetzen oder modifizieren Sie NICHT das Netzkabel oder den Stecker.
- Verwenden Sie KEIN Verlängerungskabel.
- Vergewissern Sie sich, dass die Netzsteckdose/der Netzschalter bei Verwendung der Heißluftfritteuse zugänglich ist.
- Diese Heißluftfritteuse wurde nicht für die Verwendung mit einer externen Zeitschaltuhr oder einem externen Timer entwickelt und darf nicht mit einem separaten Fernsteuerungssystem verwendet werden.
- Stecken Sie den Netzstecker aus, wenn Sie das Gerät nicht benutzen oder bevor Sie es reinigen.
- Wenn Sie den Netzstecker aus der Steckdose ziehen, halten Sie immer den Stecker fest und ziehen Sie nicht am Kabel.
- Wenn Sie die Heißluftfritteuse nicht mehr benutzen, drücken Sie die Taste STOPP/ABBRECHEN, um sie wieder in den Stand-by-Modus zu schalten, und ziehen Sie danach den Netzstecker aus der Steckdose.
- Um einen Stromschlag zu vermeiden: Tauchen Sie die Heißluftfritteuse niemals in Wasser oder andere Flüssigkeiten.
- Decken Sie keinen Teil der Heißluftfritteuse ab, während sie läuft, denn dies würde zu einer Überhitzung führen.
- Stellen Sie die Heißluftfritteuse NICHT auf heiße Oberflächen, in die Nähe von heißen Gas- oder Elektrobrennern oder in einen beheizten Ofen.

- Wenn Sie die Heißluftfritteuse benutzen, lassen Sie an allen Seiten mindestens 100 mm Platz, damit die Luft ausreichend zirkulieren kann.

BEWAHREN SIE DIESE ANLEITUNG ZUM SPÄTEREN NACHSCHLAGEN AN EINEM SICHEREN ORT AUF



## TECHNISCHE DATEN

Modellname	GS404A
Leistung der Heißluftfritteuse (W)	1300
Heißluftfritteuse-Temperaturstufen (Celsius)	80 °C bis 200 °C
8 automatische Programme	Pommes frites, Rindfleisch, Gemüse, Kleines Huhn, Speck, Fisch, Kartoffeln, Pizza
2 Funktionen	Vorheizen, Garen gefrorener Speisen
Kapazität (Liter)	4,0
Bedienfeld	Digital mit Drehregler
Frittierkorb-Beschichtung	Antihaft
Frittierkorb-Größe (Durchmesser x Höhe in mm)	Ø190 x 50
Innentopf-Beschichtung	Antihaft
Innentopf-Größe (Durchmesser x Höhe in mm)	200 bis 120
Netzkabel-Länge (mm)	900
Geräuschpegel (dB)	55 bis 62
Stromverbrauch (W)	1300
Strombedarf	220-240 V 50 Hz
Stand-by-Stromverbrauch (W)	<0.5
Größe (B x H x T in mm)	261 x 338 x 327
Gewicht (kg)	4,5

Dieses Produkt entspricht den einschlägigen Vorschriften und Normen für Großbritannien und die EU.

IM RAHMEN EINES BESTREBENS NACH STÄNDIGER VERBESSERUNG BEHALTEN WIR UNS DAS RECHT VOR, JEDERZEIT UND OHNE ANGABE VON GRÜNDEN, TECHNISCHE DATEN ODER DAS DESIGN ZU VERÄNDERN.



# HEISSLUFTFRITTEUSE UND ZUBEHÖR

**Bitte machen Sie sich vor der ersten Verwendung mit den folgenden Funktionen und dem Zubehör der Heißluftfritteuse vertraut:**

**Innentopf:** Setzen Sie den Frittierkorb in den Innentopf ein und stellen Sie den Innentopf anschließend in die Heißluftfritteuse.

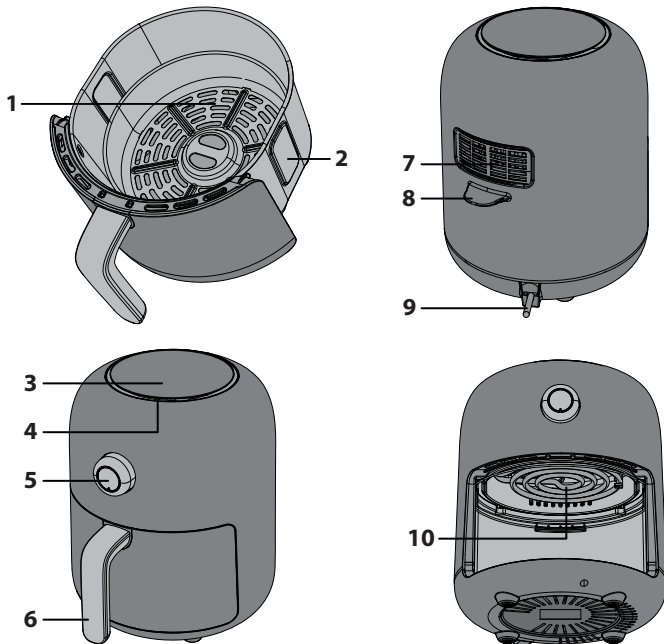
**Frittierkorb:** Legen Sie die Lebensmittel in den Frittierkorb und stellen Sie den Frittierkorb anschließend zum Garen in den Innentopf.

**HINWEIS:** Um ein Herunterfallen des Innentopfes zu verhindern, stellen Sie den Innentopf auf eine stabile Unterlage, bevor Sie den Frittierkorb herausheben.

**Abluftgitter:** Während der Benutzung entweicht heißer Dampf aus der Abluftöffnung (das ist normal) – achten Sie beim Garen darauf, dass Ihre Hände und Ihr Gesicht nicht in die Nähe der Abluftöffnung kommen, um Verbrühungen zu vermeiden.

**Griff:** Damit stellen Sie den Innentopf und den Frittierkorb in die Heißluftfritteuse und entnehmen diese wieder.

1. Heißluft-Frittierkorb
2. Innentopf
3. Bedienfeld
4. Lufteinzug
5. Drehregler
6. Frittierkorb-Griff
7. Abluftgitter
8. Haltegriff
9. Netzkabel
10. Heizelement



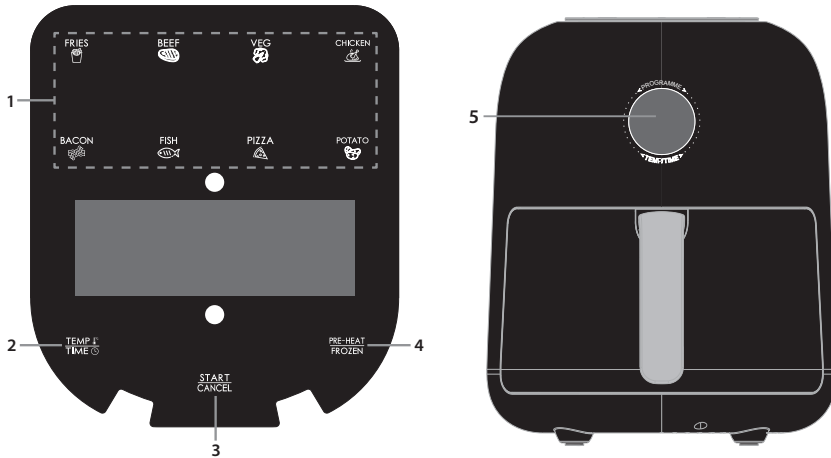
## LUFTSTROM-RICHTUNG

Beim Garen bewegt sich die vom Heizelement erzeugte heiße Luft im Gerät, wie es in der unteren Abbildung zu sehen ist. Dies garantiert, dass Ihre Speisen mit der eingestellten Temperatur und innerhalb der gewählten Zeitspanne gleichmäßig gegart werden. Verwenden Sie keine Materialien wie Metallfolie, die diesen Luftstrom behindern oder den Frittierkorb überfüllen könnten.



# BEDIENFELD

1. **Autogaren-Tasten** – automatische Garprogramme; Sie können aus 8 Optionen wählen.
2. **Temperatur/Zeit** – mit dieser Taste können Sie die Temperatur und die Zeit manuell einstellen.
3. **Start/Abbrechen** – starten Sie den Betrieb der Heißluftfritteuse, schalten Sie ihn auf Pause oder brechen Sie ihn ab.
4. **Vorheizen/Gefroren** – zum Vorheizen der Heißluftfritteuse auf die richtige Gartemperatur oder zum Garen gefrorener Lebensmittel.
5. **Drehregler** – damit stellen Sie die Zeit und die Temperatur ein.



# VOR DER BENUTZUNG IHRER HEISSLUFTFRITTEUSE

Vor der ersten Verwendung Ihrer Heißluftfritteuse muss das Gerät vollständig ausgepackt und die Verpackung entfernt werden. Anschließend sollten Sie den Innentopf und den Frittierkorb in heißer Seifenlauge oder in der Spülmaschine reinigen. Dann trocknen Sie alle Zubehörteile gründlich ab und setzen Sie sie wieder in die Heißluftfritteuse ein. Wischen Sie das Außengehäuse und die Innenteile mit einem feuchten Tuch ab und trocknen Sie sie, ehe Sie das Gerät benutzen.

Schließen Sie das Gerät an das Stromnetz an und stellen Sie es auf "Pommes frites" ein (geben Sie keine Lebensmittel in das Gerät). Dadurch wird das Gerät 23 Minuten lang auf 180 °C erhitzt, so dass sich eventuelle Rückstände, die während der Herstellung am Heizelement haften geblieben sind, verflüchtigen können.

Sie sollten sich diese Anleitung vor dem Gebrauch vollständig durchlesen.

# BETRIEBSANLEITUNG

## Ihre Heißluftfritteuse hat mehrere Betriebsarten:

**Automatisches Garen** – wählen Sie eine der 8 vorprogrammierten Garoptionen.

**Garen aus dem Gefrierfach** – garen Sie gefrorene Speisen (nur Gemüse, Pizza und Pommes frites).

**Vorheizen** – vergewissern Sie sich, dass Ihre Heißluftfritteuse vor dem Garen die richtige Temperatur erreicht hat.

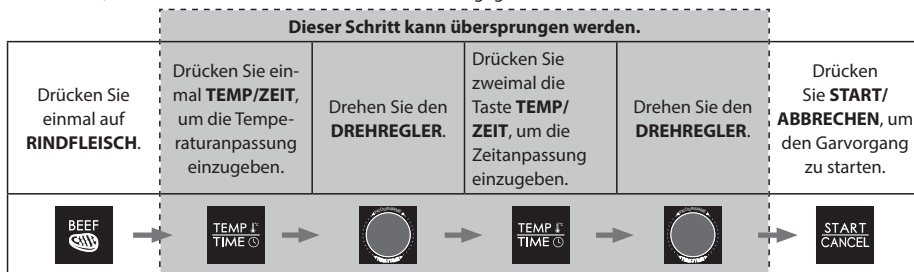
### Garhinweise

- Die Lebensmittelmenge sollte nicht mehr als 4/5 des Fassungsvermögens des Frittierkorbs ausmachen.
- Temperatur und Dauer können während des Garvorgangs angepasst werden.
- Um den Garvorgang zu unterbrechen, ziehen Sie den Innentopf aus dem Gerät; wenn Sie ihn wieder hineinschieben, startet das Gerät automatisch.
- Um den Garvorgang abzubrechen, drücken Sie zweimal die Taste „**START/ABBRECHEN**“.
- Einige Lebensmittel müssen während des Garvorgangs umgerührt/geschüttelt werden: Nehmen Sie den Innentopf aus dem Gerät, rühren/schütteln Sie nach Bedarf und setzen Sie den Innentopf dann wieder in die Fritteuse ein; die Fritteuse startet automatisch neu.
- Vergewissern Sie sich, dass das Essen richtig gegart ist. Wenn das Essen nicht durchgegart ist, geben Sie es zurück in die Fritteuse und lassen Sie es länger garen.
- Um ein Herunterfallen des Innentopfes zu verhindern, stellen Sie den Innentopf auf eine stabile und hitzebeständige Oberfläche, ehe Sie den Korb herausheben.
- Garen Sie in dieser Heißluftfritteuse nur Lebensmittel.
- Verwenden Sie dieses Gerät NICHT zum Frittieren mit Fett.

## Automatischer Garvorgang

Für Ihren Komfort gibt es 8 automatische Garprogramme. Sie können leicht über die entsprechenden Tasten auf dem Bedienfeld darauf zugreifen.

Das Beispiel unten zeigt, wie Rindfleisch gegart wird. Sie müssen die Temperatur oder die Zeit nicht einstellen, außer Sie möchten, dass Ihre Lebensmittel stärker oder schwächer gegart werden.



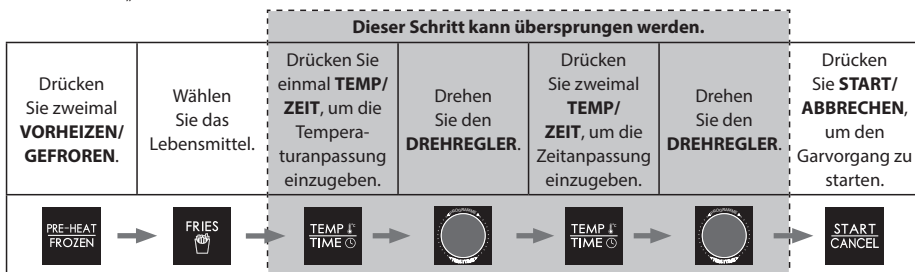
1. Verteilen Sie die zu garenden Lebensmittel gleichmäßig im Frittierkorb.
2. Setzen Sie den Frittierkorb in den Innentopf ein. Setzen Sie den Innentopf in die Heißluftfritteuse ein.
3. Schließen Sie die Heißluftfritteuse an die Netzversorgung an.
4. Wählen Sie die gewünschten Lebensmittel aus, indem Sie die Taste für das automatische Garen auf dem Bedienfeld drücken. Auf der LED-Anzeige blinken die standardmäßig eingestellte Temperatur und Zeit.
  - a. Wenn nötig, drücken Sie einmal die Taste „**TEMP/ZEIT**“ und drehen Sie anschließend den **DREHREGLER**, um die gewünschte Gartemperatur einzustellen.
  - b. Wenn nötig, drücken Sie zweimal die Taste „**TEMP/ZEIT**“ und drehen Sie anschließend den **DREHREGLER**, um die gewünschte Garzeit einzustellen.
5. Drücken Sie einmal die Taste „**START/ABBRECHEN**“, um das Garen zu starten. Die Zeit zählt herunter.
6. Wenn der Garvorgang abgeschlossen ist, gibt die Heißluftfritteuse einen Ton von sich. Danach kehrt das Gerät in den Stand-by-Modus zurück.
7. Ziehen Sie den Innentopf vorsichtig heraus. Nehmen Sie die Lebensmittel sofort aus dem Frittierkorb, da die in der Heißluftfritteuse verbleibende Resthitze Ihre Lebensmittel sonst weiter gart und austrocknet.

**Hinweis:** Wenn Sie die Garzeit für die Funktion der automatischen Zubereitung von Speisen ändern, können Sie die maximale Garzeit nur um 30 % erhöhen. So wird vermieden, dass Ihre Lebensmittel anbrennen.

Lebensmittel	Gewicht	Anfängliche Lebensmittelftemperatur	Garzeit	Maximale Zeitverlängerung	Wenden	Dauer des Garens gefrorener Speisen	Temperatur	Kommentare
Pommes	200 g, 500 g	Raumtemperatur	15 bis 20	23	Ja	26	180	Do not overload the pot.
Rindfleisch	150 g, 500 g		8 bis 12	16	Ja	-	200	Es können bis zu 270 g Rindersteak gegart werden
Gemüse	100 g, 400 g		10	13	Ja	14	190	Cut up vegetables into pieces 2 x 3cm.
Hähnchen	800 g, 1000 g		30	39	Ja	-	190	Ganzes Huhn oder große Stücke
Speck	4 bis 6 Speckscheiben		9	12	-	-	180	Verteilen Sie die Speckscheiben gleichmäßig im Frittierkorb
Fisch	100 g, 500 g		12	16	Ja	-	200	Place fish pieces directly onto the base of the frying basket.
Kartoffeln	je 250 g		40	52	Ja	-	200	Legen Sie bis zu 3 Kartoffeln von je 250 g in den Frittierkorb
Pizza	100 g, 400 g		13	17	-	18	160	Place whole or pizza pieces directly in the frying basket.

## Garen gefrorener Speisen

Um gefrorene Lebensmittel zu garen, beachten Sie die Anweisungen für das automatische Garen, aber drücken Sie zuerst die Taste „**GEFROREN**“.



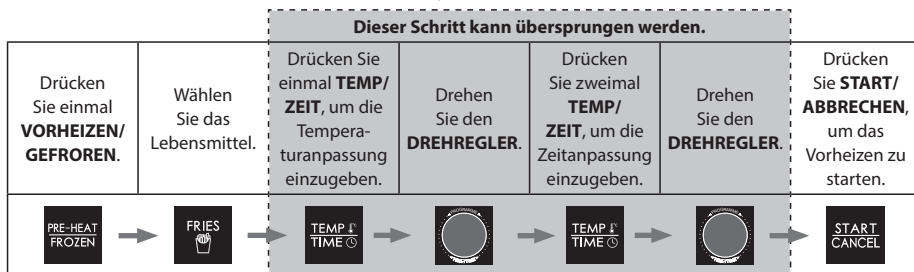
1. Verteilen Sie die zu garenden Lebensmittel gleichmäßig im Frittierkorb.
2. Setzen Sie den Frittierkorb in den Innentopf ein. Setzen Sie den Innentopf in die Heißluftfritteuse ein.
3. Schließen Sie die Heißluftfritteuse an die Netzversorgung an.
4. Drücken Sie zweimal die Taste „**VORHEIZEN/GEFROREN**“.
5. Wählen Sie die gewünschte Funktion, indem Sie die Funktionstaste auf dem Bedienfeld drücken. Auf der LED-Anzeige blinken die standardmäßig eingestellte Temperatur und Zeit.
  - a. Wenn nötig, drücken Sie einmal die Taste „**TEMP/ZEIT**“ und drehen Sie anschließend den **DREHREGLER**, um die gewünschte Gartemperatur einzustellen.
  - b. Wenn nötig, drücken Sie zweimal die Taste „**TEMP/ZEIT**“ und drehen Sie anschließend den **DREHREGLER**, um die gewünschte Garzeit einzustellen.
6. Drücken Sie einmal die Taste „**START/ABBRECHEN**“, um das Garen zu starten. Die Zeit zählt herunter.
7. Wenn der Garvorgang abgeschlossen ist, gibt das Gerät einen Ton von sich. Danach kehrt es in den Stand-by-Modus zurück.
8. Drücken Sie die Öffnen-Taste und ziehen Sie den Innentopf vorsichtig am Griff heraus und entnehmen Sie das Essen.

Das Garen von gefrorenen Lebensmitteln ist nur bei **POMMES FRITES**, **GEMÜSE** und **PIZZA** möglich.

Wenn Sie andere gefrorene Lebensmittel zubereiten möchten, beachten Sie bitte die Hinweise zum manuellen Garen.

## Vorheizen

Um zu gewährleisten, dass Ihre Heißluftfritteuse die richtige Temperatur zum Garen Ihrer Speisen aufweist, gibt es eine Vorheizfunktion – diese kann vor den Funktionen „Automatisches Garen“ und „Manuelles Garen“ verwendet werden. Drücken Sie einfach einmal die Vorheizen-Taste, bevor Sie eine andere Funktion wählen.



1. Setzen Sie den Frittierkorb in den Innentopf ein. Setzen Sie den Innentopf in die Heißluftfritteuse ein.
2. Schließen Sie die Heißluftfritteuse an die Netzversorgung an.
3. Drücken Sie einmal die Taste **VORHEIZEN/GEFROREN**.
4. Wählen Sie die gewünschten Lebensmittel aus, indem Sie die entsprechende Taste für das automatische Garen auf dem Bedienfeld drücken. Auf der LED-Anzeige blinken die standardmäßig eingestellte Temperatur und Zeit.
  - a. Wenn nötig, drücken Sie einmal die Taste „TEMP/ZEIT“ und drehen Sie anschließend den **DREHREGLER**, um die gewünschte Gartemperatur einzustellen.
  - b. Wenn nötig, drücken Sie zweimal die Taste „TEMP/ZEIT“ und drehen Sie anschließend den **DREHREGLER**, um die gewünschte Garzeit einzustellen.
5. Drücken Sie die Taste „**START/ABBRECHEN**“.
6. Sobald das Gerät die gewünschte Vorheiztemperatur erreicht hat, erklingt ein Ton.
7. Nehmen Sie den Innentopf heraus und verteilen Sie die zu garenden Lebensmittel gleichmäßig im Frittierkorb.
8. Setzen Sie den Innentopf/Frittierkorb wieder in die Heißluftfritteuse ein.
9. Die Fritteuse startet automatisch und die Zeit wird heruntergezählt.
10. Wenn der Garvorgang abgeschlossen ist, erklingt ein Ton. Danach kehrt das Gerät in den Stand-by-Modus zurück.
11. Ziehen Sie den Innentopf heraus und denken Sie daran, die Speisen sofort aus dem Frittierkorb zu nehmen, da sie sonst durch die Restwärme in der Fritteuse weiter gegart werden und austrocknen.

## DREHREGLER

An Ihrer Heißluftfritteuse befindet sich ein Drehknopf mit mehreren Funktionen, von denen einige die gleichen Funktionen haben wie die Tasten auf dem Bedienfeld.

Sobald Sie die Heißluftfritteuse an das Stromnetz anschließen, schaltet sie in den Modus für die Funktionseinstellung und zeigt die Temperatur und die Zeit für das erste automatische Programm an.

So wählen Sie das gewünschte Auto-Menü aus: Drehen Sie den Knopf und drücken Sie anschließend zum Bestätigen auf die Mitte des Knopfes, sobald Ihr Menüname blinkt. Wenn die auf der Anzeige eingeblendete Temperatur und Uhrzeit passen, drücken Sie die Taste **START/ABBRECHEN** auf dem oberen Bedienfeld, um den Garvorgang zu starten. Sie können bei Bedarf die Gartemperatur und -zeit des ausgewählten Menüs anpassen, ehe Sie die Taste **START/ABBRECHEN** drücken, um den Garvorgang zu starten.

1. Drücken Sie den Knopf und die Temperaturanzeige beginnt zu blinken.
2. Drehen Sie den Knopf und stellen Sie die gewünschte Gartemperatur ein.
3. Drücken Sie den Knopf, um die Einstellung der Temperatur zu bestätigen. Jetzt blinken die Ziffern der Zeit.
4. Drehen Sie den Knopf, um die gewünschte Garzeit einzustellen.
5. Drücken Sie auf die Mitte des Knopfes, um den Garvorgang zu starten.

Um den Garvorgang abzubrechen, drücken Sie auf die Mitte des Knopfes.

# WARTUNG WÄHREND DER BENUTZUNG

Dieses Gerät muss während des Gebrauchs kaum gewartet werden. Reinigen Sie Ihre Heißluftfritteuse nach jedem Gebrauch, um ihre Lebensdauer zu verlängern.

Diese Heißluftfritteuse enthält keine vom Benutzer zu wartenden Teile. Versuchen Sie nicht, sie selbst zu reparieren. In dem unwahrscheinlichen Fall eines Defekts wenden Sie sich bitte an das SHARP Call Center. Einzelheiten dazu finden Sie am Anfang dieses Benutzerhandbuchs.

## REINIGUNGSHINWEISE

**ACHTUNG:** Um einen Stromschlag zu vermeiden: TAUCHEN SIE DIE HEISSLUFTFRITTEUSE NIEMALS IN WASSER ODER ANDERE FLÜSSIGKEITEN.

Ihre Heißluftfritteuse sollte regelmäßig gereinigt werden, damit sie optimal funktioniert und lange hält. Eine regelmäßige Reinigung verringert außerdem das Brandrisiko. Zur Reinigung sollten Sie die nachstehenden Anweisungen befolgen:

1. Ziehen Sie den Netzstecker aus der Steckdose. Warten Sie, bis Ihre Heißluftfritteuse abgekühlt ist.
2. Reinigen Sie den Frittierkorb und den Innentopf mit einem feuchten, seifenhaltigen Tuch. Verwenden Sie dazu nur milde Seifenlauge. Wenn sich die Flecken auf dem Korb oder dem Innentopf nur schwer entfernen lassen, weichen Sie sie vor der Reinigung etwa zehn Minuten lang in warmem Wasser ein.
3. Reinigen Sie die Heizelemente mit einem trockenen und weichen Tuch.
4. Wischen Sie die Außenseite Ihrer Heißluftfritteuse mit einem weichen, feuchten Tuch ab und trocknen Sie sie anschließend.

**ACHTUNG:** VERWENDEN SIE KEINE SCHEUERMITTEL ODER ANDERE SCHEUERENDE MATERIALIEN auf der Oberfläche des Frittierkorbs und des Innentopfs. Vergewissern Sie sich, dass Sie nur milde Seifenlauge verwenden. Scheuernde Reinigungsmittel, Scheuerbürsten und chemische Reinigungsmittel beschädigen die Beschichtung des Geräts. Außer der empfohlenen Reinigung sollten keine weiteren Wartungsmaßnahmen erforderlich sein. Andere Wartungsarbeiten sollten von einem autorisierten Servicetechniker durchgeführt werden.

## LAGERUNG

Vor dem Einlagern ziehen Sie den Netzstecker, lassen Sie das Gerät abkühlen und reinigen Sie es. Bewahren Sie die Heißluftfritteuse in ihrem Karton an einem sauberen, trockenen Ort auf. Lagern Sie das Gerät niemals ein, solange es noch heiß oder eingesteckt ist. Wickeln Sie das Kabel niemals straff um die Heißluftfritteuse. Vermeiden Sie es, das Kabel an der Eintrittsstelle in das Gerät zu belasten, da es sonst ausfransen und brechen könnte.

Wenn Sie die Heißluftfritteuse über einen längeren Zeitraum aufbewahren, sollten Sie sich vergewissern, dass die Heißluftfritteuse sauber und frei von Speiseresten ist. Lagern Sie die Heißluftfritteuse an einem trockenen Ort, z. B. auf einem Tisch, einer Arbeitsplatte oder einem Schrankregal.

## FEHLERBEHEBUNG

Wenn Sie Probleme mit Ihrer Heißluftfritteuse haben, beachten Sie bitte die folgenden Hinweise.

Die Heißluftfritteuse funktioniert nicht	Das Gerät ist entweder nicht eingesteckt oder nicht eingeschaltet.	Vergewissern Sie sich, dass Sie den Netzstecker in eine Steckdose gesteckt haben und dass das Gerät eingeschaltet ist.
	Sie haben die Zeit oder die Temperatur nicht eingestellt.	Stellen Sie die Zeit und die Temperatur ein und drücken Sie dann „ <b>START/ABBRECHEN</b> “.
	Der Innentopf ist nicht richtig in das Gerät eingearastet	Schieben Sie den Innentopf in die Heißluftfritteuse, bis Sie ein „klickendes Geräusch“ hören.
Die in der Heißluftfritteuse zubereiteten Lebensmittel sind noch nicht gar.	Es sind zu viele Lebensmittel im Frittierkorb.	Legen Sie kleinere Mengen an Lebensmitteln in den Frittierkorb. Kleinere Portionen werden gleichmäßiger frittiert.
	Die eingestellte Temperatur ist zu niedrig.	Stellen Sie die erforderliche Temperatur ein.
	Die Garzeit ist zu kurz.	Stellen Sie den Timer auf die erforderliche Zubereitungszeit ein.
Frittierte Snacks sind nicht knusprig, wenn sie aus der Heißluftfritteuse kommen.	Sie haben einen Snack gewählt, der in einer traditionellen Fritteuse zubereitet werden muss.	Wählen Sie Snacks, die man in einem Ofen zubereiten kann, oder bepinseln Sie die Snacks leicht mit Öl, damit sie knuspriger werden.
Der Innentopf und der Frittierkorb lassen sich nur schwer oder gar nicht richtig in das Gerät einsetzen.	Es sind zu viele Lebensmittel im Frittierkorb.	Geben Sie nicht zu viele Lebensmittel in den Frittierkorb.
	Der Frittierkorb ist nicht richtig in den Innentopf eingesetzt	Drücken Sie den Frittierkorb nach unten in den Innentopf, bis Sie ein leises Klickgeräusch hören.
Weißer Rauch tritt aus dem Gerät aus.	Sie bereiten fettige Zutaten zu.	Wenn Sie fettige Lebensmittel in der Heißluftfritteuse frittieren, tropft eine große Menge Öl in die Pfanne. Dieses Öl kann einen weißen Rauch erzeugen und die Pfanne kann sich stärker als gewöhnlich erhitzen. Dies beeinträchtigt weder das Gerät noch das Endprodukt.
	In der Pfanne sind noch die Fettrückstände der vorherigen Benutzung.	Weißer Rauch entsteht, wenn sich das Fett im Innentopf erhitzt. Vergewissern Sie sich, dass Sie den Frittierkorb und den Innentopf nach jeder Verwendung gründlich reinigen.
Die Pommes frites in der Heißluftfritteuse werden ungleichmäßig frittiert.	Sie haben nicht die richtige Kartoffelsorte verwendet.	Wählen Sie frische Kartoffeln und achten Sie darauf, dass sie beim Frittieren ihre feste Konsistenz behalten.
	Sie haben die Kartoffelstäbchen vor dem Frittieren nicht sorgfältig abgespült.	Spülen Sie die Kartoffelstäbchen sorgfältig ab, damit die Stärke außen an den Stäbchen entfernt wird.
Die Pommes frites sind nicht knusprig, wenn sie aus der Heißluftfritteuse kommen.	Es hängt von der Menge/Art des Öls und der Wassermenge in den Pommes frites ab, wie knusprig sie werden.	Trocknen Sie die Kartoffelstäbchen gut ab, bevor Sie das Öl hinzugeben.
		Schneiden Sie die Kartoffeln in dünnere Stäbchen, damit sie knuspriger werden.
		Geben Sie etwas mehr Öl hinzu, damit sie knuspriger werden.

Sollten bei Ihnen weiterhin Probleme auftreten, wenden Sie sich bitte an das SHARP Call Centre – nähere Angaben finden Sie am Anfang dieses Benutzerhandbuchs.



### Προσοχή:

Το προϊόν φέρει σήμανση με αυτό το σύμβολο.

Αυτό σημαίνει ότι χρησιμοποιημένα ηλεκτρικά και ηλεκτρονικά προϊόντα δεν πρέπει να αναμιχθούν με κοινά οικιακά απορρίμματα. Υπάρχει σύστημα ξεχωριστής περισυλλογής για αυτά τα προϊόντα.



[www.sharpconsumer.com/contact/](http://www.sharpconsumer.com/contact/)



[www.sharpconsumer.com/support/](http://www.sharpconsumer.com/support/)



[www.sharpconsumer.com/documents-of-conformity/](http://www.sharpconsumer.com/documents-of-conformity/)

## A. Πληροφορίες απόρριψης για χρήστες (ιδιωτική οικιακή χρήση)

### 1. Στην Ευρωπαϊκή Ένωση

Προσοχή: Αν θέλετε να απορρίψετε αυτή τη συσκευή παρακαλώ μη χρησιμοποιείτε κανονικούς κάδους απορριμμάτων!

Ο χρησιμοποιημένος ηλεκτρικός και ηλεκτρονικός εξοπλισμός πρέπει να μεταχειρίζεται μεμονωμένα και σύμφωνα με τη νομοθεσία που απαιτεί κατάλληλη μεταχείριση, αποκατάσταση και ανακύκλωση χρησιμοποιημένου ηλεκτρικού και ηλεκτρονικού εξοπλισμού.

Σύμφωνα με την εφαρμογή από τα κράτη-μέλη, τα νοικοκυριά εντός των μελών της ΕΕ μπορούν να επιστρέφουν τον χρησιμοποιημένο ηλεκτρολογικό και ηλεκτρονικό εξοπλισμό σε προσδιορισμένες εγκαταστάσεις συλλογής χωρίς επιβάρυνση\*.

Σε ορισμένες χώρες\* ο τοπικός μεταπράτης μπορεί να παραλάβει το παλαιό σας προϊόν χωρίς επιβάρυνση αν αποκτήσετε ένα παρόμοιο καινούριο.

\*) Παρακαλούμε να επικοινωνήσετε με τις τοπικές αρχές για περαιτέρω λεπτομέρειες.

Αν ο χρησιμοποιημένος ηλεκτρικός ή ηλεκτρονικός εξοπλισμός σας έχει μπαταρίες ή συσσωρευτές, παρακαλούμε να τα απορρίψετε νωρίτερα σύμφωνα με τις τοπικές απαιτήσεις. Με τη σωστή απόρριψη αυτού του προϊόντος θα βοηθήσετε στην επιβεβαίωση ότι τα απόβλητα υποβάλλονται την απαραίτητη επεξεργασία, αποκατάστασης και ανακύκλωσης και ότι έτσι αποφεύγονται εν δυνάμει αρνητικές επιδράσεις στο περιβάλλον και στην ανθρώπινη υγεία που μπορούν αλλιώς να προκληθούν εξαιτίας της ανάρμουςτης μεταχείρισης αποβλήτων.

### 2. Σε άλλες χώρες εκτός ΕΕ

Αν θέλετε να απορρίψετε αυτό το προϊόν, παρακαλούμε να επικοινωνήσετε με τις τοπικές αρχές και να ρωτήσετε για τη σωστή μέθοδο απόρριψης.

Για την Ελβετία: Οι χρησιμοποιημένες ηλεκτρικές ή ηλεκτρονικές συσκευές μπορούν να επιστραφούν χωρίς χρέωση στο κατάστημα ακόμη και αν δεν θέλετε να αγοράσετε καινούριο προϊόν.

Περισσότερα σημεία περισυλλογής αναγράφονται στις ιστοσελίδες των [www.swico.ch](http://www.swico.ch) και [www.sens.ch](http://www.sens.ch).

## Πληροφορίες απόρριψης για χρήστες (επαγγελματική χρήση)

### 1. Στην Ευρωπαϊκή Ένωση

Αν το προϊόν χρησιμοποιείται για επαγγελματικούς σκοπούς και θέλετε να το απορρίψετε:

Παρακαλούμε να επικοινωνήσετε με τον προμηθευτή σας που θα σας πληροφορήσει για την ανάληψη του προϊόντος. Μπορεί να χρεωθείτε για τα έξοδα που θα προκύψουν από την ανάληψη και την ανακύκλωση. Μικρά προϊόντα (και μικρά ποσά) μπορούν να αναληφθούν από τοπικές υπηρεσίες περισυλλογής.

Για την Ισπανία: Παρακαλούμε επικοινωνήστε με το καθιερωμένο σύστημα περισυλλογής ή τις τοπικές αρχές για την επιστροφή των χρησιμοποιημένων σας προϊόντων.

### 2. Σε άλλες χώρες εκτός ΕΕ

Αν θέλετε να απορρίψετε αυτό το προϊόν, παρακαλούμε να επικοινωνήσετε με τις τοπικές αρχές και να ρωτήσετε για τη σωστή μέθοδο απόρριψης.

Για σέρβις, ανατρέξτε στον ιστότοπο [www.sharpconsumer.com/contact/](http://www.sharpconsumer.com/contact/), για τα δικαιώματα που απορρέουν από την εγγύηση μεταβείτε στον ιστότοπο [www.sharpconsumer.com/support/](http://www.sharpconsumer.com/support/) ή επικοινωνήστε με τον έμπορο από τον οποίο αγοράσατε το προϊόν.

Οι δηλώσεις συμμόρφωσης είναι διαθέσιμες από τον ιστότοπο [www.sharpconsumer.com/documents-of-conformity/](http://www.sharpconsumer.com/documents-of-conformity/)



## ΠΕΡΙΕΧΟΜΕΝΑ


ΟΔΗΓΙΕΣ ΑΣΦΑΛΕΙΑΣ.....	3
ΠΡΟΔΙΑΓΡΑΦΕΣ.....	7
ΦΡΙΤΕΖΑ ΑΕΡΑ ΚΑΙ ΕΞΑΡΤΗΜΑΤΑ .....	8
ΠΙΝΑΚΑΣ ΕΛΕΓΧΟΥ .....	9
ΠΡΙΝ ΑΠΟ ΤΗ ΧΡΗΣΗ ΤΗΣ ΦΡΙΤΕΖΑΣ ΑΕΡΑ.....	9
ΟΔΗΓΙΕΣ ΛΕΙΤΟΥΡΓΙΑΣ .....	10
Αυτόματο μαγείρεμα.....	10
Μαγείρεμα από καταψυγμένο .....	11
Προθέρμανση.....	12
ΠΕΡΙΣΤΡΕΦΟΜΕΝΟ ΚΟΥΜΠΙ .....	12
ΣΥΝΤΗΡΗΣΗ ΚΑΤΑ ΤΗ ΧΡΗΣΗ .....	13
ΟΔΗΓΙΕΣ ΚΑΘΑΡΙΣΜΟΥ .....	13
ΑΠΟΘΗΚΕΥΣΗ .....	13
ΕΠΙΛΥΣΗ ΠΡΟΒΛΗΜΑΤΩΝ .....	14

## ΟΔΗΓΙΕΣ ΑΣΦΑΛΕΙΑΣ

### **Κατά τη χρήση μιας ηλεκτρικής συσκευής, θα πρέπει να τηρούνται κάποιες βασικές προφυλάξεις ασφάλειας, περιλαμβανομένων των ακόλουθων:**

- Τα παιδιά θα πρέπει να επιβλέπονται προκειμένου να διασφαλιστεί ότι ΔΕΝ παίζουν με τη συσκευή.
- Η συσκευή αυτή δεν προορίζεται για χρήση από άτομα (περιλαμβανομένων παιδιών) με μειωμένες σωματικές, αισθητήριες ή διανοητικές ικανότητες ή από άτομα χωρίς εμπειρία ή γνώση, εκτός αν τη χρησιμοποιούν υπό επίβλεψη ή έχουν λάβει οδηγίες σχετικά με τη χρήση της συσκευής από άτομο υπεύθυνο για την ασφάλειά τους.
- Καθαρίζετε το καλάθι και το εσωτερικό δοχείο της φριτέζας αέρα με πανί νωπό με σαπουνάδα. Να βεβαιώνετε πως χρησιμοποιείτε ήπιο σαπουνόνερο.
- ΜΗΝ καθαρίζετε με συρμάτινα σφουγγάρια. Είναι πιθανό να αποκοπούν κομμάτια από το σφουγγάρι και να έρθουν σε επαφή με ηλεκτρολογικά τμήματα, προκαλώντας κίνδυνο ηλεκτροπληξίας. Επίσης θα προκληθεί ζημιά στην επιφάνεια.
- Στεγνώνετε τη μονάδα και όλα τα εξαρτήματα με ένα μαλακό πανί πριν την αποθήκευση ή τη χρήση.
- Αν υπάρχουν λεκέδες στο καλάθι ή στο εσωτερικό δοχείο οι οποίοι αφαιρούνται δύσκολα, αφήστε τα να μουλιάσουν σε ζεστό νερό για περίπου 10 λεπτά πριν τον καθαρισμό.
- Το καλάθι τηγανίσματος και το εσωτερικό δοχείο μπορούν να πλένονται σε πλυντήριο πιάτων.
- ΜΗΝ παραγεμίζετε κατά το μαγείρεμα. Το υπερβολικό γέμισμα μπορεί να προκαλέσει ατομικό τραυματισμό ή υλική ζημιά ή να επηρεάσει την ασφαλή χρήση της συσκευής.
- ΜΗ χρησιμοποιείτε λάδι ή οποιοδήποτε άλλο υγρό στο εσωτερικό δοχείο.
- ΜΗ χρησιμοποιείτε αυτή τη συσκευή για βαθύ τηγάνισμα.
- Να βεβαιώνετε ότι το φαγητό έχει προετοιμαστεί και μαγει-

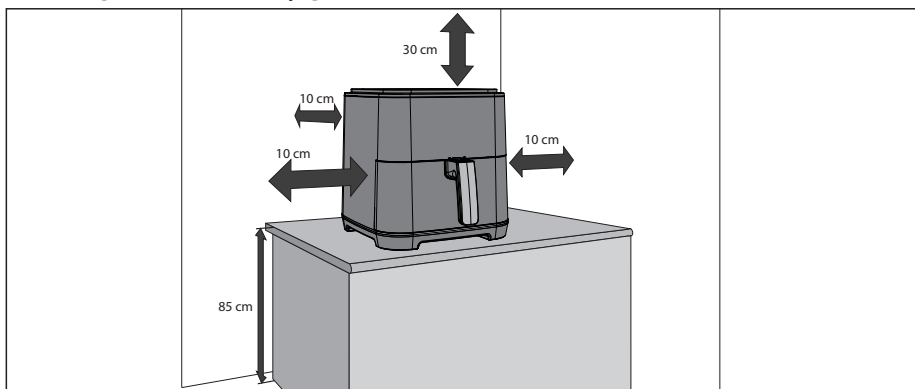
ρευτεί σωστά ώστε να αποφεύγετε οποιονδήποτε κίνδυνο για την υγεία.

- Αποφεύγετε την επαφή του φαγητού με τα θερμαντικά στοιχεία.
- ΠΑΝΤΟΤΕ να διασφαρίζετε ότι η συσκευή έχει συναρμολογηθεί σωστά πριν από τη χρήση.
- ΜΗΝ τοποθετείτε τα ακόλουθα υλικά στη φριτέζα αέρα: χαρτόνι, πλαστικό, χαρτί, ή οτιδήποτε παρόμοιο.
- ΜΗΝ αποθηκεύετε οποιαδήποτε υλικά, εκτός των παρεχόμενων εξαρτημάτων, στη φριτέζα αέρα όταν δεν την χρησιμοποιείτε.
- ΜΗ χρησιμοποιείτε τη συσκευή για οτιδήποτε εκτός από τη χρήση για την οποία προορίζεται.
- ΜΗΝ την χρησιμοποιείτε σε εξωτερικό χώρο.
- Αν χρειάζεστε οποιαδήποτε συμβουλή σχετικά με το προϊόν, επικοινωνήστε με τη Γραμμή εξυπηρέτησης της Sharp
- Κρατάτε τη συσκευή μόνο από τις σωστές λαβές και χρησιμοποιείτε μέτρα προστασίας από τη θερμότητα όπως γάντια ή πιάστρες φούρνου.
- Διαβάστε όλες αυτές τις οδηγίες για να βεβαιωθείτε ότι έχετε εξοικειωθεί με τη λειτουργία αυτής της φριτέζας αέρα. ΜΗΝ αγγίζετε θερμές επιφάνειες, χρησιμοποιείτε τις λαβές ή τα χειριστήρια όπου είναι δυνατό (ανάλογα με το μοντέλο).
- Η χρήση πρόσθετων εξαρτημάτων δεν συστήνεται καθώς μπορεί να προκληθεί κίνδυνος ή τραυματισμός.
- Η συσκευή αυτή προορίζεται ΜΟΝΟ ΓΙΑ ΟΙΚΙΑΚΗ ΧΡΗΣΗ.
- Για να αποφύγετε την πτώση του εσωτερικού δοχείου στο πάτωμα, τοποθετείτε το εσωτερικό δοχείο σε σταθερή επιφάνεια πριν ανυψώσετε το καλάθι της φριτέζας αέρα.
- Κατά τη χρήση, βεβαιωθείτε πως η λαβή είναι στραμμένη προς το μέρος σας.
- ΠΡΟΣΟΧΗ: Το σήμα  σημαίνει πως ΟΙ ΕΠΙΦΑΝΕΙΕΣ ΤΗΣ ΣΥΣΚΕΥΗΣ ΕΙΝΑΙ ΘΕΡΜΕΣ ΚΑΤΑ ΤΗ ΔΙΑΡΚΕΙΑ Ή ΜΕΤΑ ΑΠΟ ΤΗ ΧΡΗΣΗ. ΜΗΝ αγγίζετε τις θερμές επιφάνειες.

- 
- ΜΗΝ καλύπτετε την οπή εισαγωγής ή εξαγωγής αέρα κατά τη διάρκεια λειτουργίας της συσκευής. Αν το κάνετε, παρεμποδίζεται το ομοιόμορφο μαγείρεμα και μπορεί να προκληθεί ζημιά στη μονάδα ή υπερθέρμανση.
  - ΜΗΝ αγγίζετε τα εξαρτήματα κατά τη διάρκεια ή αμέσως μετά από το μαγείρεμα.
  - Πρέπει να δείχνετε πολλή προσοχή όταν η συσκευή περιέχει ζεστό φαγητό. Η εσφαλμένη χρήση μπορεί να οδηγήσει σε ατομικό τραυματισμό.
  - Αφήνετε επαρκή χρόνο μετά τη χρήση για να κρυώσει η μονάδα.
  - Αφήστε τη φριτέζα αέρα να κρυώσει πριν την καθαρίσετε.
  - ΠΡΟΕΙΔΟΠΟΙΗΣΗ: Καθώς η φριτέζα αέρα θερμαίνεται κατά τη χρήση και μερικές επιφάνειες μπορεί να αναπτύξουν θερμοκρασίες που θεωρούνται υψηλές, θα πρέπει να χειρίζεστε τη συσκευή με προσοχή.
  - Φοράτε προστατευτικά θερμομονωτικά γάντια όταν ακουμπάτε θερμές επιφάνειες ή το καλάθι, το εσωτερικό δοχείο της φριτέζας αέρα και το φαγητό.
  - Κατά τη χρήση της συσκευής, παρέχετε επαρκή χώρο πάνω γύρω από αυτήν για κυκλοφορία του αέρα. ΠΑΝΤΟΤΕ να διασφαλίζετε πως το εσωτερικό δοχείο έχει κλείσει σωστά πριν από τη λειτουργία.
  - ΜΗΝ αφήνετε το καλώδιο ρεύματος να κρέμεται στην άκρη του πάγκου εργασίας ή να ακουμπά σε θερμές επιφάνειες.
  - ΜΗ λειτουργείτε τη συσκευή αν το καλώδιο ή το βύσμα τροφοδοσίας έχει υποστεί ζημιά με οποιονδήποτε τρόπο ή αφού η συσκευή παρουσιάσει δυσλειτουργία ή αν έχει υποστεί ζημιά με οποιονδήποτε άλλο τρόπο.
  - ΜΗΝ αντικαθιστάτε ή τροποποιείτε το καλώδιο ή το βύσμα τροφοδοσίας.
  - ΜΗ χρησιμοποιείτε καλώδιο επέκτασης.
  - Βεβαιωθείτε πως η πρίζα/ο διακόπτης τροφοδοσίας είναι προσιτά όταν η φριτέζα αέρα χρησιμοποιείται.

- Αυτή η φριτέζα αέρα δεν προορίζεται να λειτουργεί μέσω εξωτερικού χρονοδιακόπτη ή ξεχωριστού συστήματος τηλεχειρισμού.
- Αποσυνδέετε τη συσκευή από την παροχή ρεύματος όταν δεν είναι σε χρήση, ή πριν από τον καθαρισμό.
- Όταν αποσυνδέετε το βύσμα τροφοδοσίας από την πρίζα, πάντοτε να κρατάτε το βύσμα, ποτέ μην τραβάτε το καλώδιο.
- Αφού σταματήσετε να χρησιμοποιείτε τη φριτέζα αέρα, πατήστε το κουμπί STOP/CANCEL για επιστροφή στην κατάσταση αναμονής, στη συνέχεια αποσυνδέστε την από την πρίζα.
- Για προστασία έναντι ηλεκτροπληξίας, ΜΗ βυθίζετε τη φριτέζα αέρα σε νερό ή άλλα υγρά.
- ΜΗΝ καλύπτετε οποιοδήποτε τμήμα της φριτέζας αέρα ενώ βρίσκεται σε λειτουργία, καθώς αυτό μπορεί να προκαλέσει την υπερθέρμανσή της.
- ΜΗΝ τοποθετείτε τη φριτέζα αέρα πάνω σε θερμές επιφάνειες, κοντά σε ζεστές εστίες ηλεκτρικές ή γκαζιού, ή μέσα σε ζεστό φούρνο.
- Κατά τη λειτουργία της φριτέζας αέρα, αφήστε κενό χώρο τουλάχιστον 100mm σε όλες τις πλευρές ώστε να εξασφαλίζεται επαρκής κυκλοφορία αέρα.

**ΦΥΛΑΞΤΕ ΑΥΤΕΣ ΤΙΣ ΟΔΗΓΙΕΣ ΣΕ ΑΣΦΑΛΕΣ ΜΕΡΟΣ ΓΙΑ ΜΕΛΛΟΝΤΙΚΗ ΑΝΑΦΟΡΑ**



# ΠΡΟΔΙΑΓΡΑΦΕΣ

Όνομα μοντέλου	GS404A
Ισχύς φριτέζας αέρα (W)	1300
Επίπεδα θερμοκρασίας φριτέζας αέρα (Κελσίου)	80 °C ως 200 °C
8 αυτόματα προγράμματα	Τηγανιτές πατάτες, μοσχαρίσιο, μικρό κοτόπουλο, κοτόπουλο, μπέικον, ψάρι, πατάτα, πίτσα
2 λειτουργίες	Προθέρμανση, Μαγείρεμα από καταψυγμένο
Χωρητικότητα (λίτρα)	4,0
Πίνακας ελέγχου	Ψηφιακός με περιστροφικό χειρισμό
Επίστρωση καλαθιού τηγανίσματος	Αντικολλητική
Μέγεθος καλαθιού τηγανίσματος (Διάμετρος x Ύψος σε mm)	Ø190 x 50
Επίστρωση εσωτερικού δοχείου	Αντικολλητική
Διαστάσεις εσωτερικού δοχείου (Διάμετρος x Ύψος σε mm)	200 x 120
Μήκος καλωδίου τροφοδοσίας (mm)	900
Επίπεδο θορύβου (dB)	55-62
Κατανάλωση ισχύος (W)	1300
Απαιτήσεις ισχύος	220-240 V 50 Hz
Κατανάλωση σε κατάσταση αναμονής (W)	Αντικολλητική
Μέγεθος (Π x Υ x Β σε mm)	261 x 338 x 327
Βάρος (kg)	4,5

Αυτό το προϊόν συμμορφώνεται με τους σχετικούς κανονισμούς και τα πρότυπα για το HB και την ΕΕ.

ΩΣ ΜΕΡΟΣ ΤΗΣ ΠΟΛΙΤΙΚΗΣ ΣΥΝΕΧΟΥΣ ΒΕΛΤΙΩΣΗΣ, ΔΙΑΤΗΡΟΥΜΕ ΤΟ ΔΙΚΑΙΩΜΑ ΝΑ ΤΡΟΠΟΠΟΙΗΣΟΥΜΕ ΤΟ ΣΧΕΔΙΑΣΜΟ ΚΑΙ ΤΙΣ ΠΡΟΔΙΑΓΡΑΦΕΣ ΧΩΡΙΣ ΠΡΟΕΙΔΟΠΟΙΗΣΗ.

## ΦΡΙΤΕΖΑ ΑΕΡΑ ΚΑΙ ΕΞΑΡΤΗΜΑΤΑ

**Εξοικειωθείτε με τις ακόλουθες λειτουργίες και τα εξαρτήματα της φριτέζας αέρα πριν από την πρώτη χρήση:**

**Εσωτερικό δοχείο:** Τοποθετήστε το καλάθι τηγανίσματος πάνω στο εσωτερικό δοχείο και, στη συνέχεια, εισάγετε το εσωτερικό δοχείο στη φριτέζα αέρα.

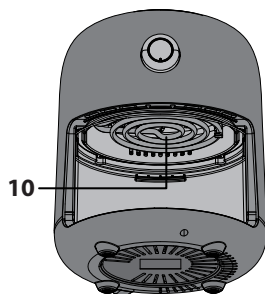
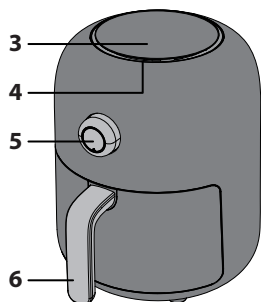
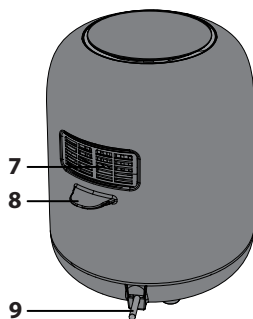
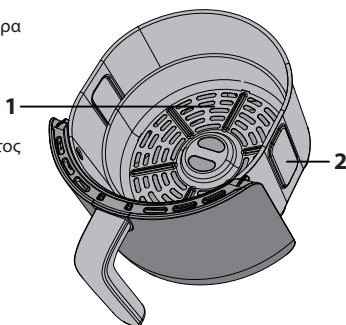
**Καλάθι τηγανίσματος:** Τοποθετήστε το φαγητό στο καλάθι τηγανίσματος και στη συνέχεια εισάγετε το καλάθι τηγανίσματος στο εσωτερικό δοχείο για μαγείρεμα.

**ΣΗΜΕΙΩΣΗ:** για να αποφύγετε την πτώση του εσωτερικού δοχείου στο πάτωμα, τοποθετείτε το εσωτερικό δοχείο σε σταθερή επιφάνεια πριν ανυψώσετε το καλάθι τηγανίσματος.

**Οπή εξαγωγής αέρα:** Κατά τη χρήση, από τον εξαερισμό θα εξέρχεται θερμός ατμός (αυτό είναι φυσιολογικό), κρατήστε τα χέρια και το πρόσωπό σας μακριά από την οπή εξαγωγής αέρα κατά το μαγείρεμα για να μη ζεματιστείτε.

**Λαβή:** Αυτή χρησιμοποιείται για τη μετακίνηση του εσωτερικού δοχείου και του καλαθιού τηγανίσματος μέσα και έξω από τη φριτέζα αέρα.

1. Καλάθι τηγανίσματος σε αέρα
2. Εσωτερικό δοχείο
3. Πίνακας ελέγχου
4. Εισαγωγή αέρα
5. Περιστρεφόμενο κουμπί
6. Λαβή καλαθιού τηγανίσματος
7. Οπή εξαγωγής αέρα
8. Λαβή συγκράτησης
9. Καλώδιο τροφοδοσίας
10. Θερμαντικό στοιχείο



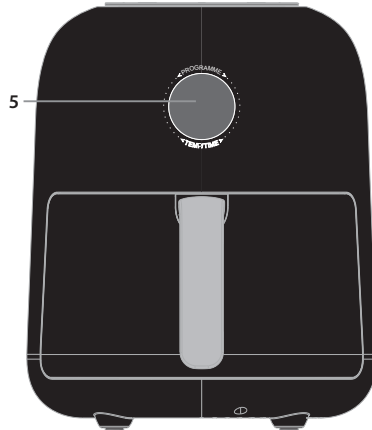
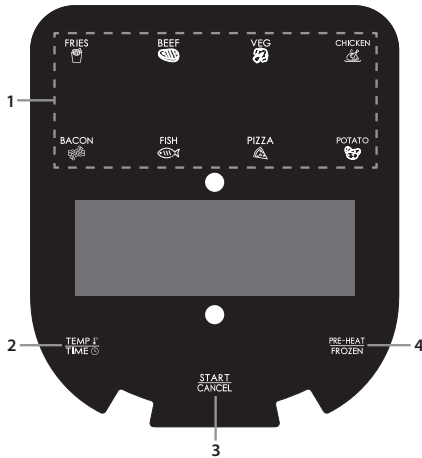
### ΚΑΤΕΥΘΥΝΣΗ ΡΟΗΣ ΑΕΡΑ

Κατά το μαγείρεμα, ο θερμός αέρας από το το στοιχείο κυκλοφορεί όπως φαίνεται στην παρακάτω εικόνα. Αυτό διασφαλίζει ότι το φαγητό μαγειρεύεται ομοιόμορφα στην καθορισμένη θερμοκρασία και χρονική διάρκεια. Μη χρησιμοποιείτε οποιαδήποτε υλικά όπως αλουμινοχαρτο που μπορεί να παρεμποδίσει αυτή τη ροή του αέρα ή να παραγεμίσει το καλάθι τηγανίσματος.



## ΠΙΝΑΚΑΣ ΕΛΕΓΧΟΥ

1. **Κουμπιά αυτόματου μαγειρέματος** – Προγράμματα αυτόματου μαγειρέματος, διαλέξτε από 8 επιλογές.
2. **Temperature/Time (Θερμοκρασία/Χρόνος)** – Χρησιμοποιήστε αυτό το κουμπί για χειροκίνητο έλεγχο της θερμοκρασίας και του χρόνου.
3. **Start/Cancel (Έναρξη/Ακύρωση)** – Έναρξη της λειτουργίας της φριτέζας αέρα ή ακύρωση/παύση της λειτουργίας.
4. **Pre-Heat/Frozen (Προθέρμανση/Καταψυγμένο)** – Για να προθερμάνετε τη φριτέζα αέρα στη σωστή θερμοκρασία μαγειρέματος ή για μαγειρέψετε καταψυγμένο φαγητό.
5. **Περιστροφικό κουμπί** – Χρησιμοποιείται για ρύθμιση του χρόνου και της θερμοκρασίας.



## ΠΡΙΝ ΑΠΟ ΤΗ ΧΡΗΣΗ ΤΗΣ ΦΡΙΤΕΖΑΣ ΑΕΡΑ

Πριν χρησιμοποιήσετε τη φριτέζα αέρα για την πρώτη φορά και αφού ολοκληρώσετε την αφαίρεση και απομάκρυνση όλων των υλικών συσκευασίας, συστήνεται να καθαρίσετε το εσωτερικό δοχείο και το καλάθι τηγανίσματος με ζεστό σαπουνόνερο ή στο πλυντήριο πιάτων. Στη συνέχεια στεγνώστε εντελώς όλα τα εξαρτήματα και συναρμολογήστε ξανά τη φριτέζα αέρα. Σκουπίστε το εξωτερικό περίβλημα και τα εσωτερικά τμήματα με νωπό πανί και στεγνώστε πριν από τη χρήση.

Συνδέστε το φις στην παροχή ρεύματος και ρυθμίστε τη συσκευή να μαγειρεύει τηγανητές πατάτες (μην τοποθετείτε τρόφιμα στη συσκευή). Αυτό θα ενεργοποιήσει τη μονάδα στους 180°C για 23 λεπτά, επιτρέποντας να διαλυθούν τυχόν υπολείμματα που μπορεί να έχουν προσκολληθεί στο θερμαντικό στοιχείο κατά την κατασκευή.

Συστήνεται να διαβάσετε πλήρως αυτές τις οδηγίες πριν από τη χρήση.



## ΟΔΗΓΙΕΣ ΛΕΙΤΟΥΡΓΙΑΣ

### Η φριτέζα αέρα έχει αρκετούς τρόπους λειτουργίας:

**Αυτόματο μαγείρεμα** – διαλέξτε ένα από τα 8 προεπιλεγμένα προγράμματα μαγειρέματος.

**Μαγείρεμα από καταψυγμένο** – Μαγειρέψτε κατευθείαν από την κατάψυξη (μόνο για λαχανικά, πίτσα και τηγανίτες πατάτες).

**Προθέρμανση** – Βεβαιωθείτε πως η φριτέζα αέρα βρίσκεται στη σωστή θερμοκρασία πριν από το μαγείρεμα.

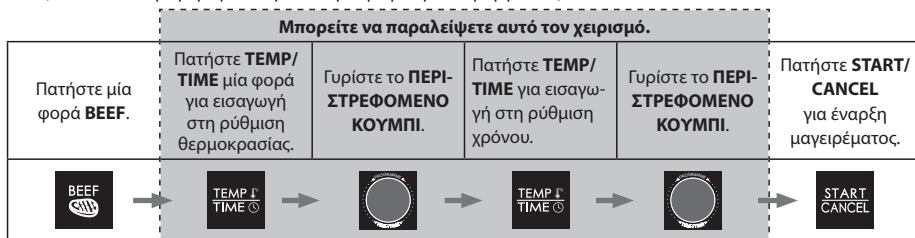
### Σημειώσεις για το μαγείρεμα

- Η ποσότητα φαγητού δεν θα πρέπει να γεμίζει περισσότερο από τα 4/5 της συνολικής χωρητικότητας του καλαθίου της φριτέζας αέρα.
- Η θερμοκρασία και ο χρόνος μαγειρέματος μπορούν να ρυθμιστούν κατά τη διάρκεια του μαγειρέματος.
- Για να διακόψετε το μαγείρεμα, τραβήξτε το εσωτερικό δοχείο έξω από τη συσκευή- όταν το ξαναβάλλετε μέσα, η συσκευή θα ξεκινήσει αυτόματα.
- Για ακύρωση του μαγειρέματος, πατήστε το κουμπί "START/CANCEL" δύο φορές.
- Ορισμένα τρόφιμα θα πρέπει να αναδεύονται/ανακινείται κατά τη διάρκεια του μαγειρέματος: Τραβήξτε το εσωτερικό δοχείο από τη μονάδα, ανακατέψτε/ανακινήστε όπως χρειάζεται και στη συνέχεια επιστρέψτε το εσωτερικό δοχείο στη φριτέζα αέρα. η φριτέζα αέρα θα επανεκκινήσει αυτόματα.
- Βεβαιωθείτε πως το φαγητό έχει μαγειρευτεί σωστά. Αν το φαγητό δεν έχει μαγειρευτεί αρκετά, τοποθετήστε το ξανά στη φριτέζα αέρα και μαγειρέψτε το για περισσότερο χρόνο.
- Για να αποφύγετε την πτώση του εσωτερικού δοχείου στο πάτωμα, τοποθετείτε το εσωτερικό δοχείο σε σταθερή επιφάνεια πριν ανυψώσετε το καλάθι τηγανίσματος.
- Μαγειρεύετε μόνο φαγητό σε αυτή τη φριτέζα αέρα.
- ΜΗ χρησιμοποιείτε για βαθύ τηγάνισμα.

## Αυτόματο μαγείρεμα

Για δική σας διευκόλυνση υπάρχουν 8 αυτόματα προγράμματα μαγειρέματος. Αυτά είναι προσβάσιμα εύκολα μέσω αποκλειστικών κουμπιών στον πίνακα ελέγχου.

Στο παρακάτω παράδειγμα, μαγειρεύεται μοσχαρίσιο. Δεν χρειάζεται να ρυθμίσετε τη θερμοκρασία ή τον χρόνο, εκτός αν θέλετε να μαγειρέψετε περισσότερο ή λιγότερο το φαγητό σας.



1. Τοποθετήστε ομοιόμορφα το φαγητό που πρόκειται να μαγειρευτεί στο καλάθι τηγανίσματος.
2. Τοποθετήστε το καλάθι τηγανίσματος μέσα στο εσωτερικό δοχείο. Εισαγάγετε το εσωτερικό δοχείο στη φριτέζα αέρα.
3. Συνδέστε τη φριτέζα αέρα στην παροχή ρεύματος.
4. Επιλέξτε το επιθυμητό φαγητό πατώντας το κουμπί αυτόματου μαγειρέματος στον πίνακα ελέγχου. Η προεπιλεγμένη θερμοκρασία και ο χρόνος αναβοσβήνουν στην οθόνη LED.
  - a. Αν χρειάζεται, πατήστε το κουμπί "TEMP/TIME" μία φορά και, στη συνέχεια, γυρίστε το **ΠΕΡΙΣΤΡΕΦΟΜΕΝΟ ΚΟΥΜΠΙ** για να ορίσετε την επιθυμητή θερμοκρασία μαγειρέματος.
  - b. Αν χρειάζεται, πατήστε το κουμπί "TEMP/TIME" μία φορά και, στη συνέχεια, γυρίστε το **ΠΕΡΙΣΤΡΕΦΟΜΕΝΟ ΚΟΥΜΠΙ** για να ορίσετε τον επιθυμητό χρόνο μαγειρέματος.
5. Πατήστε το κουμπί "START/CANCEL" μία φορά για να αρχίσετε το μαγείρεμα. Αρχίζει η αντίστροφη μέτρηση του χρόνου.
6. Όταν ολοκληρωθεί το μαγείρεμα, η φριτέζα αέρα παράγει έναν ήχο και η μονάδα επιστρέφει σε κατάσταση αναμονής.
7. Αφαιρέστε το εσωτερικό δοχείο προσεκτικά και βγάλτε το φαγητό από το καλάθι τηγανίσματος σε αέρα αμέσως, διαφορετικά η απομένουσα θερμότητα μέσα στη φριτέζα αέρα θα συνεχίσει το μαγείρεμα και θα στεγνώσει το φαγητό.

**Σημείωση:** Αν αλλάξετε τον χρόνο μαγειρέματος για φαγητά αυτόματου μαγειρέματος, είναι πιθανό να αυξήσετε τη μέγιστη διάρκεια κατά 30%. Αυτό γίνεται για να αποφεύγεται το πιθανό κάψιμο του φαγητού.

Φαγητό	Βάρος	Αρχική θερμοκρασία φαγητού	Χρόνος Μαγειρέματος	Μέγιστος πρόσθετος χρόνος	Αναποδογύρισμα	Χρόνος μαγειρέματος από καταψυγμένο	Θερμοκρασία	Σχόλια
Τηγανιτές πατάτες	200 g ως 500 g	Θερμοκρασία δωματίου	15 ως 20	23	Ναι	26	180	Do not overload the pot.
Μοσχάρι	150 g ως 500 g		8 ως 12	16	Ναι	-	200	Μπορούν να μαγειρευτούν ως 270 g μοσχάριας μπριζόλας
Λαχανικά	100 g ως 400 g		10	13	Ναι	14	190	Cut up vegetables into pieces 2 x 3cm.
Κοτόπουλο	800 g ως 1000 g		30	39	Ναι	-	190	Ολόκληρο κοτόπουλο ή μεγάλα τεμάχια
Μπέικον	4 ως 6 φέτες		9	12	-	-	180	Απλώστε ομοιόμορφα τις φέτες μπέικον στο καλάθι τηγανίσματος
Ψάρι	100 g ως 500 g		12	16	Ναι	-	200	Place fish pieces directly onto the base of the frying basket.
Πατάτα	250 g έκαστη		40	52	Ναι	-	200	Τοποθετήστε ως 3 πατάτες 250 g έκαστη μέσα στο καλάθι τηγανίσματος
Πίτσα	100 g ως 400 g		13	17	-	18	160	Place whole or pizza pieces directly in the frying basket.

## Μαγείρεμα από καταψυγμένο

Για να μαγειρέψετε καταψυγμένο φαγητό, ακολουθήστε τις οδηγίες για το αυτόματο μαγείρεμα, αλλά πατήστε πρώτα το κουμπί "FROZEN".



1. Τοποθετήστε ομοιόμορφα το φαγητό που πρόκειται να μαγειρευτεί στο καλάθι τηγανίσματος.
2. Τοποθετήστε το καλάθι τηγανίσματος μέσα στο εσωτερικό δοχείο. Εισαγάγετε το εσωτερικό δοχείο στη φριτέζα αέρα.
3. Συνδέστε τη φριτέζα αέρα στην παροχή ρεύματος.
4. Πατήστε το κουμπί "PRE-HEAT/FROZEN" δύο φορές.
5. Επιλέξτε την επιθυμητή λειτουργία πατώντας το κουμπί λειτουργίας στον πίνακα ελέγχου. Η προεπιλεγμένη θερμοκρασία και ο χρόνος αναβοσβήνουν στην οθόνη LED.
  - a. Αν χρειάζεται, πατήστε το κουμπί "TEMP/TIME" μία φορά και, στη συνέχεια, γυρίστε το **ΠΕΡΙΣΤΡΕΦΟΜΕΝΟ ΚΟΥΜΠΙ** για να ορίσετε την επιθυμητή θερμοκρασία μαγειρέματος.
  - b. Αν χρειάζεται, πατήστε το κουμπί "TEMP/TIME" μία φορά και, στη συνέχεια, γυρίστε το **ΠΕΡΙΣΤΡΕΦΟΜΕΝΟ ΚΟΥΜΠΙ** για να ορίσετε τον επιθυμητό χρόνο μαγειρέματος.
6. Πατήστε το κουμπί "START/CANCEL" μία φορά για να αρχίσετε το μαγείρεμα. Αρχίζει η αντίστροφη μέτρηση του χρόνου.
7. Όταν ολοκληρωθεί το μαγείρεμα, η μονάδα παράγει έναν ήχο και η μονάδα επιστρέφει σε κατάσταση αναμονής.
8. Πατήστε το κουμπί ανοίγματος και τραβήξτε έξω τη λαβή του εσωτερικού δοχείου προσεκτικά και βγάλτε το φαγητό.

Το μαγείρεμα από καταψυγμένο είναι δυνατό μόνο για **ΤΗΓΑΝΙΤΕΣ ΠΑΤΑΤΕΣ, ΛΑΧΑΝΙΚΑ** και **ΠΙΤΣΑ**.

Για μαγείρεμα άλλων καταψυγμένων φαγητών, ανατρέξτε στις συμβουλές χειροκίνητου μαγειρέματος.

## Προθέρμανση

Για να εξασφαλίσετε ότι η φριτέζα αέρα βρίσκεται στη σωστή θερμοκρασία για το μαγείρεμα του φαγητού σας, υπάρχει λειτουργία προθέρμανσης που μπορεί να χρησιμοποιηθεί πριν από τις λειτουργίες για αυτόματο μαγείρεμα και χειροκίνητο μαγείρεμα. Απλώς πατήστε το κουμπί προθέρμανσης μία φορά πριν επιλέξετε οποιαδήποτε άλλη λειτουργία.



1. Τοποθετήστε το καλάθι τηγανίσματος μέσα στο εσωτερικό δοχείο. Εισαγάγετε το εσωτερικό δοχείο στη φριτέζα αέρα.
2. Συνδέστε τη φριτέζα αέρα στην παροχή ρεύματος.
3. Πατήστε το κουμπί **PRE-HEAT/FROZEN** μία φορά.
4. Επιλέξτε το επιθυμητό φαγητό πατώντας το σχετικό κουμπί αυτόματου μαγειρέματος στον πίνακα ελέγχου. Η προεπιλεγμένη θερμοκρασία και ο χρόνος αναβοσβήνουν στην οθόνη LED.
  - a. Αν χρειάζεται, πατήστε το κουμπί "**TEMP/TIME**" μία φορά και, στη συνέχεια γυρίστε το **ΠΕΡΙΣΤΡΕΦΟΜΕΝΟ ΚΟΥΜΠΙ** στο b για να ορίσετε την επιθυμητή θερμοκρασία μαγειρέματος.
  - b. Αν χρειάζεται, πατήστε το κουμπί "**TEMP/TIME**" δύο φορές και, στη συνέχεια, γυρίστε το **ΠΕΡΙΣΤΡΕΦΟΜΕΝΟ ΚΟΥΜΠΙ** για να ορίσετε τον επιθυμητό χρόνο μαγειρέματος.
5. Πατήστε το κουμπί "**START/CANCEL**".
6. Όταν η μονάδα φτάσει στη σωστή θερμοκρασία προθέρμανσης παράγει έναν ήχο.
7. Βγάλτε το εσωτερικό δοχείο και τοποθετήστε ομοιόμορφα το φαγητό που πρόκειται να μαγειρευτεί στο καλάθι τηγανίσματος.
8. Τοποθετήστε ξανά το εσωτερικό δοχείο/καλάθι τηγανίσματος στη φριτέζα αέρα.
9. Η φριτέζα αέρος θα ξεκινήσει αυτόματα και ο χρόνος θα μετρήσει αντίστροφα.
10. Όταν ολοκληρωθεί το μαγείρεμα, η μονάδα παράγει έναν ήχο και επιστρέφει σε κατάσταση αναμονής.
11. Τραβήξτε το εσωτερικό δοχείο και θυμηθείτε να το χειρίζεστε με προσοχή και να βγάξετε αμέσως το φαγητό από το καλάθι της φριτέζας αέρα, διαφορετικά η θερμότητα που παραμένει στη φριτέζα αέρα θα συνεχίσει να μαγειρεύει και να στεγνώνει το φαγητό σας.

## ΠΕΡΙΣΤΡΕΦΟΜΕΝΟ ΚΟΥΜΠΙ

Το περιστρεφόμενο κουμπί της φριτέζας αέρα έχει διάφορες λειτουργίες. Μερικές από αυτές αντιγράφουν τα κουμπιά στον πίνακα ελέγχου.

Όταν η φριτέζα αέρα συνδέεται στην παροχή ρεύματος, μεταβαίνει στην κατάσταση ρύθμισης λειτουργιών και εμφανίζει τη θερμοκρασία και τον χρόνο για το πρώτο αυτόματο πρόγραμμα.

Για να επιλέξετε το επιθυμητό αυτόματο μενού, γυρίστε το περιστρεφόμενο κουμπί, στη συνέχεια πατήστε το κέντρο του περιστρεφόμενου κουμπιού για επικύρωση αφού δείτε να αναβοσβήνει το όνομα του επιθυμητού μενού. Αν η θερμοκρασία και ο χρόνος που εμφανίζονται στην οθόνη είναι κατάλληλα, πατήστε το κουμπί **START/CANCEL** στον επάνω πίνακα ελέγχου για να αρχίσει το μαγείρεμα.

Αν απαιτείται, μπορείτε να ρυθμίσετε τη θερμοκρασία και τον χρόνο μαγειρέματος του επιλεγμένου μενού, πριν πατήσετε το κουμπί **START/CANCEL** για έναρξη του μαγειρέματος.

1. Πατήστε το περιστρεφόμενο κουμπί και αρχίζει να αναβοσβήνει η ένδειξη θερμοκρασίας.
2. Γυρίστε το περιστρεφόμενο κουμπί για να ρυθμίσετε την επιθυμητή θερμοκρασία μαγειρέματος.
3. Πατήστε το περιστρεφόμενο κουμπί για επικύρωση της ρύθμισης θερμοκρασίας. Αρχίζουν να αναβοσβήνουν τα ψηφία του χρόνου.
4. Γυρίστε το περιστρεφόμενο κουμπί για να ρυθμίσετε τον επιθυμητό χρόνο μαγειρέματος.

5. Πατήστε το κέντρο του περιστρεφόμενου κουμπιού για να αρχίσει η διαδικασία μαγειρέματος.

Για ακύρωση του μαγειρέματος, πατήστε το κέντρο του περιστρεφόμενου κουμπιού.

## ΣΥΝΤΗΡΗΣΗ ΚΑΤΑ ΤΗ ΧΡΗΣΗ

Αυτή η συσκευή χρειάζεται λίγη συντήρηση όταν χρησιμοποιείται. Καθαρίζετε τη φριτέζα αέρα μετά από κάθε χρήση για να παρατείνετε τη διάρκεια ζωής της.

Αυτή η φριτέζα αέρα δεν περιέχει τμήματα που μπορούν να επισκευαστούν. Μην προσπαθείτε να την επισκευάσετε μόνοι σας. Σε σπάνια περίπτωση βλάβης, επικοινωνήστε με το τηλεφωνικό κέντρο της SHARP χρησιμοποιώντας τις λεπτομέρειες στην αρχή αυτού του εγχειριδίου χρήστη.

## ΟΔΗΓΙΕΣ ΚΑΘΑΡΙΣΜΟΥ

**ΠΡΟΣΟΧΗ:** Για προστασία έναντι ηλεκτροπληξίας, ΜΗ ΒΥΘΙΖΕΤΕ ΤΗ ΦΡΙΤΕΖΑ ΑΕΡΑ ΣΕ ΝΕΡΟ Ή ΑΛΛΑ ΥΓΡΑ. Η φριτέζα αέρα θα πρέπει να καθαρίζεται τακτικά για βέλτιστη απόδοση και μακρά διάρκεια ζωής. Ο τακτικός καθαρισμός μειώνει επίσης τον κίνδυνο φωτιάς. Για καθαρισμό, ακολουθήστε τις παρακάτω οδηγίες:

1. Αφαιρέστε το βύσμα τροφοδοσίας από την ηλεκτρική πρίζα. Αφήστε τη φριτέζα αέρα να κρυώσει.
2. Καθαρίστε το καλάθι τηγανίσματος σε αέρα και το εσωτερικό δοχείο με πανί μουσκεμένο με σαπουνόνερο. Βεβαιωθείτε πως χρησιμοποιείτε μόνο ήπιο σαπουνόνερο. Αν οι λεκέδες στο καλάθι ή στο εσωτερικό δοχείο καθαρίζονται πολύ δύσκολα, αφήστε τα να μουλιάσουν σε ζεστό νερό για περίπου 10 λεπτά.
3. Καθαρίστε τα θερμαντικά στοιχεία με ένα στεγνό και μαλακό πανί.
4. Σκουπίστε το εξωτερικό της φριτέζας αέρα με ένα μαλακό, υψώλο πανί, στη συνέχεια στεγνώστε το.

**ΠΡΟΣΟΧΗ:** ΜΗ ΧΡΗΣΙΜΟΠΟΙΕΙΤΕ ΑΠΟΞΕΣΤΙΚΑ ΚΑΘΑΡΙΣΤΙΚΑ Ή ΟΠΟΙΟΔΗΠΟΤΕ ΤΥΠΟ ΥΛΙΚΟ ΤΡΙΨΙΜΑΤΟΣ στην επιφάνεια του καλάθιού τηγανίσματος και του εσωτερικού δοχείου. Βεβαιωθείτε πως χρησιμοποιείτε μόνο ήπιο σαπουνόνερο. Τα αποξεστικά καθαριστικά, οι βούρτσες τριψίματος και τα χημικά καθαριστικά θα προκαλέσουν ζημιά στην επιστροφή αυτής της μονάδας.

Εκτός από το συστηνόμενο καθαρισμό, δεν θα πρέπει να χρειαστεί περαιτέρω συντήρηση από τον χρήστη.

Οποιαδήποτε άλλη εργασία σέρβις θα πρέπει να πραγματοποιείται από εξουσιοδοτημένο εκπρόσωπο σέρβις.

## ΑΠΟΘΗΚΕΥΣΗ

Αποσυνδέστε τη μονάδα, αφήστε την να κρυώσει και καθαρίστε πριν από τη φύλαξη. Αποθηκεύστε τη φριτέζα αέρα στο κουτί της σε καθαρό, ξηρό μέρος. Ποτέ μην αποθηκεύετε τη συσκευή ενώ είναι ζεστή ή παραμένει συνδεδεμένη στο ρεύμα. Ποτέ μην τυλίγετε το καλώδιο σφιχτά γύρω από τη φριτέζα αέρα. Μην καταπονείτε το καλώδιο στο σημείο που εισέρχεται στη μονάδα, καθώς μπορεί να φθαρεί και να κοπεί.

Σε περίπτωση φύλαξης της φριτέζας αέρα για μεγάλα χρονικά διαστήματα, σιγουρευτείτε πως η φριτέζα αέρα είναι καθαρή και απαλλαγμένη από υπολείμματα τροφών. Φυλάξτε τη φριτέζα αέρα σε ξηρή θέση όπως πάνω σε τραπέζι ή πάγκο ή σε ράφι ντουλαπιού.

## ΕΠΙΛΥΣΗ ΠΡΟΒΛΗΜΑΤΩΝ

Αν αντιμετωπίζετε προβλήματα με τη φριτέζα αέρα, ακολουθήστε τις παρακάτω οδηγίες.

Η φριτέζα αέρα δεν λειτουργεί	Η συσκευή είτε δεν έχει συνδεθεί στο ρεύμα ή δεν έχει ενεργοποιηθεί.	Βεβαιωθείτε πως το βύσμα τροφοδοσίας έχει μπει στην πρίζα ρεύματος και ότι η μονάδα έχει ενεργοποιηθεί.
	Δεν έχετε ορίσει χρόνο ή θερμοκρασία.	Ορίστε τον χρόνο και τη θερμοκρασία και στη συνέχεια πατήστε <b>"START/CANCEL"</b> .
	Το εσωτερικό δοχείο δεν έχει ασφαλίσει σωστά στη μονάδα	Σπρώξτε το εσωτερικό δοχείο μέσα στη φριτέζα αέρα ώπου να κάνει "κλικ".
Τα περιεχόμενα που τηγανίζονται με τη φριτέζα αέρα δεν έχουν γίνει.	Υπάρχει πολύ φαγητό μέσα στο καλάθι τηγανίσματος.	Τοποθετήστε μικρότερες μερίδες περιχομένου στο καλάθι τηγανίσματος. Οι μικρότερες μερίδες τηγανίζονται πιο ομοιόμορφα.
	Η καθορισμένη θερμοκρασία είναι πολύ χαμηλή.	Προσαρμόστε τη θερμοκρασία στην απαιτούμενη ρύθμιση θερμοκρασίας.
	Ο χρόνος μαγειρέματος είναι πολύ σύντομος.	Ρυθμίστε το χρονόμετρο στον απαιτούμενο χρόνο προετοιμασίας.
Τα τηγανισμένα σνακ δεν είναι τραγανά όταν βγαίνουν από τη φριτέζα αέρα.	Χρησιμοποιήσατε τύπο σνακ που πρέπει να προετοιμάζεται σε παραδοσιακή φριτέζα.	Χρησιμοποιείτε σνακ που προορίζονται για προετοιμασία στον φούρνο, ή αλείψτε ελαφρά τα σνακ με λάδι για πιο τραγανό αποτέλεσμα.
Είναι δύσκολο ή αδύνατο να ολισθήσει σωστά το εσωτερικό δοχείο και το καλάθι τηγανίσματος στη συσκευή.	Υπάρχει πολύ φαγητό μέσα στο καλάθι τηγανίσματος.	Μην παραγεμίσετε το καλάθι τηγανίσματος.
	Το καλάθι τηγανίσματος δεν έχει τοποθετηθεί σωστά μέσα στο εσωτερικό δοχείο.	Ωθήστε το καλάθι τηγανίσματος προς τα κάτω στο εσωτερικό δοχείο ώπου να ακούσετε ένα ελαφρύ κλικ.
Βγαίνει λευκός καπνός από τη συσκευή.	Ετοιμάζετε λιπαρά περιεχόμενα.	Όταν τηγανίζετε λιπαρά περιεχόμενα στη φριτέζα αέρα, διαρρέει μεγάλη ποσότητα λαδιού στο δοχείο. Αυτό το λάδι μπορεί να προκαλέσει λευκό καπνό και το δοχείο μπορεί να θερμανθεί περισσότερο από το συνηθισμένο. Αυτό δεν επηρεάζει τη συσκευή ή το τελικό αποτέλεσμα.
	Το δοχείο περιέχει ακόμα λιπαρά υπολείμματα από προηγούμενη χρήση.	Ο λευκός καπνός προκαλείται από τη θέρμανση λίπους στο εσωτερικό δοχείο. Βεβαιωθείτε πως καθαρίζετε το καλάθι τηγανίσματος και το εσωτερικό δοχείο καλά μετά από κάθε χρήση.
Οι φρέσκες πατάτες τηγανίζονται ανομοιόμορφα στη φριτέζα αέρα.	Δεν χρησιμοποιήσατε το σωστό τύπο πατάτας.	Χρησιμοποιήστε φρέσκες πατάτες και βεβαιωθείτε πως παραμένουν σφιχτές κατά τη τηγάνισμα.
	Δεν ξεπλύνετε τα μαστούνια πατάτας καλά πριν το τηγάνισμα.	Ξεπλύνετε τα μαστούνια πατάτας καλά για να αφαιρεθεί το άμυλο από το εξωτερικό των μαστουγιών.
Οι τηγανιτές πατάτες δεν είναι τραγανές όταν βγαίνουν από τη φριτέζα αέρα.	Το αν βγαίνουν τραγανές οι τηγανιτές πατάτες εξαρτάται από την ποσότητα/τον τύπο λαδιού και την υγρασία στις πατάτες.	Βεβαιωθείτε πως στεγνώσατε τα μαστούνια πατάτας καλά πριν προσθέσετε το λάδι.
		Κόψτε τις πατάτες σε λεπτότερα μαστούνια για πιο τραγανό αποτέλεσμα.
		Προσθέστε ελαφρώς περισσότερο λάδι για πιο τραγανό αποτέλεσμα.

Αν τα προβλήματα εξακολουθούν, επικοινωνήστε με το τηλεφωνικό κέντρο της SHARP χρησιμοποιώντας τις λεπτομέρειες στην αρχή αυτού του εγχειριδίου χρήστη.





### Atención:

Su producto está marcado con este símbolo, que significa que los productos eléctricos y electrónicos usados no deberían mezclarse con los residuos domésticos generales. Existe un sistema de recogida especial para estos productos.



[www.sharpconsumer.com/contact/](http://www.sharpconsumer.com/contact/)



[www.sharpconsumer.com/support/](http://www.sharpconsumer.com/support/)



[www.sharpconsumer.com/documents-of-conformity/](http://www.sharpconsumer.com/documents-of-conformity/)

## A. Información sobre eliminación para particulares

### 1. En la Unión Europea

Atención: Si desea eliminar este equipo, no utilice el cubo de la basura habitual.

Los equipos eléctricos y electrónicos usados deben tratarse por separado de acuerdo con la legislación que requiere un tratamiento, una recuperación y un reciclaje adecuados de los equipos eléctricos y electrónicos usados.

Tras la aplicación por parte de los estados miembros, los hogares de los estados de la UE podrán devolver, sin coste alguno, sus equipos eléctricos o electrónicos usados a las instalaciones para ello designadas.\*

En algunos países\* el establecimiento local puede recoger el producto sin coste alguno por la compra de uno nuevo similar.

\*) Si desea más información, póngase en contacto con las autoridades locales.

Si sus equipos eléctricos o electrónicos usados incorporan pilas o acumuladores, elimínelos por separado con antelación siguiendo los requisitos locales. La correcta eliminación de estos productos ayuda a garantizar que los residuos sean sometidos a los procesos de tratamiento, recuperación y reciclaje adecuados, así como a prevenir los efectos negativos potenciales sobre el medio ambiente y la salud de los seres humanos resultante de una manipulación inadecuada de los residuos.

### 2. Países no pertenecientes a la Unión Europea

Si desea eliminar este producto, póngase en contacto con las autoridades locales para consultar el método correcto.

Para Suiza: los equipos eléctricos o electrónicos pueden devolverse al vendedor sin coste alguno, incluso si no compra otro producto nuevo.

Encontrará más información sobre los centros de recogida en la página de inicio [www.swico.ch](http://www.swico.ch) o [www.sens.ch](http://www.sens.ch).

## B. Información sobre eliminación para empresas

### 1. En la Unión Europea

Si el producto es utilizado para fines empresariales y desea eliminarlo: póngase en contacto con su distribuidor de SHARP, que le informará sobre la retirada del producto. Es posible que deba sufragar los costes derivados de la retirada y el reciclaje. También es posible que los centros de recogida locales acepten los productos pequeños (y en cantidades pequeñas).

Para España: póngase en contacto con el sistema de recogida establecido con la autoridad local para la retirada del producto usado.

### 2. Países no pertenecientes a la Unión Europea

Si desea eliminar este producto, póngase en contacto con las autoridades locales para consultar el método correcto de eliminación.

Para cuestiones de servicio, diríjase a [www.sharpconsumer.com/contact/](http://www.sharpconsumer.com/contact/) y para conocer los derechos relacionados con la garantía, diríjase [www.sharpconsumer.com/support/](http://www.sharpconsumer.com/support/) o póngase en contacto con el establecimiento en el que compró el producto.

Las declaraciones de conformidad están disponibles en [www.sharpconsumer.com/documents-of-conformity/](http://www.sharpconsumer.com/documents-of-conformity/)

---

# ÍNDICE

INSTRUCCIONES DE SEGURIDAD .....	3
ESPECIFICACIONES .....	7
FREIDORA DE AIRE Y ACCESORIOS.....	8
PANEL DE CONTROL .....	9
ANTES DE UTILIZAR LA FREIDORA DE AIRE.....	9
INSTRUCCIONES DE FUNCIONAMIENTO.....	10
Cocción automática.....	10
Cocer alimentos congelados.....	11
Precalentar.....	12
MANDO GIRATORIO .....	12
MANTENIMIENTO MIENTRAS SE USA .....	13
INSTRUCCIONES DE LIMPIEZA .....	13
ALMACENAMIENTO .....	13
RESOLUCIÓN DE PROBLEMAS.....	14




## INSTRUCCIONES DE SEGURIDAD

**Cuando se utiliza un electrodoméstico, se deben respetar siempre unas precauciones básicas de seguridad, entre las que se incluyen las siguientes:**

- Se debe vigilar a los niños para asegurarse de que NO jueguen con el electrodoméstico.
- Este electrodoméstico no está diseñado para ser utilizado por personas (incluidos niños) con discapacidades físicas, sensoriales o mentales, con falta de experiencia y conocimiento, a menos que una persona responsable de su seguridad les supervise o instruya en su uso.
- Limpie la cesta de la freidora de aire y el contenedor interno con un paño húmedo enjabonado. Asegúrese de utilizar únicamente agua jabonosa y templada.
- NO LIMPIE el electrodoméstico con estropajos de metal. Estos estropajos pueden soltar hilos, y estos pueden tocar partes metálicas y crear un riesgo de descarga eléctrica. La superficie también se puede ver dañada.
- Seque la unidad y todas sus componentes con un paño suave antes de almacenarla o utilizarla.
- Si se observan manchas difíciles de limpiar en la cesta o en el contenedor interno, humedezca estos accesorios en agua caliente durante unos 10 minutos antes de limpiarlos.
- Tanto la cesta para freír como el contenedor interno pueden lavarse en un lavavajillas.
- NO rellene en exceso al preparar alimentos. Rellenar en exceso la cesta para freír puede causar lesiones personales o daños a la propiedad, o afectar al uso seguro del electrodoméstico.
- NO utilice aceite ni ningún otro líquido en el contenedor interno.
- NO utilice este electrodoméstico para freír con aceite.
- Asegúrese de que los alientos están correctamente

---

preparados y cocidos para evitar cualquier peligro para la salud.

- Evite el contacto de los alimentos con elementos calientes.
- Asegúrese SIEMPRE de que el electrodoméstico está correctamente montado antes de utilizarlo.
- NO introduzca ninguno de los siguientes materiales en la freidora de aire: cartón, plástico, papel u otro material similar.
- NO almacene ningún material, ni ningún otro accesorio suministrado en la freidora de aire cuando no vaya a usarse.
- NO utilice el electrodoméstico para otro fin que no sea el previsto.
- NO use el electrodoméstico al aire libre.
- Si se requiere algún consejo en relación con este producto, póngase en contacto con la línea telefónica de ayuda de Sharp.
- Sujete solo el electrodoméstico por las asas correctas y utilice protecciones contra el calor como guantes o agarradores.
- Lea todas estas instrucciones para asegurarse de que está familiarizado con el uso de esta freidora de aire. NO toque las superficies calientes. Siempre que sea posible, utilice agarradores o controles (dependiendo del modelo).
- El uso de accesorios no recomendados por el fabricante del electrodoméstico puede causar peligros o lesiones.
- Este aparato se ha diseñado solo PARA USO DOMÉSTICO.
- Para evitar que el contenedor interno se caiga al suelo, sitúelo sobre una superficie estable antes de levantar la cesta de la freidora de aire.
- Cuando lo use, asegúrese de que el asa apunta hacia usted.
- PRECAUCIÓN: La marca  significa que LAS SUPERFICIES DEL ELECTRODOMÉSTICO ESTÁN CALIENTES CUANDO SE USA O DESPUÉS DE USARLO. NO toque las superficies

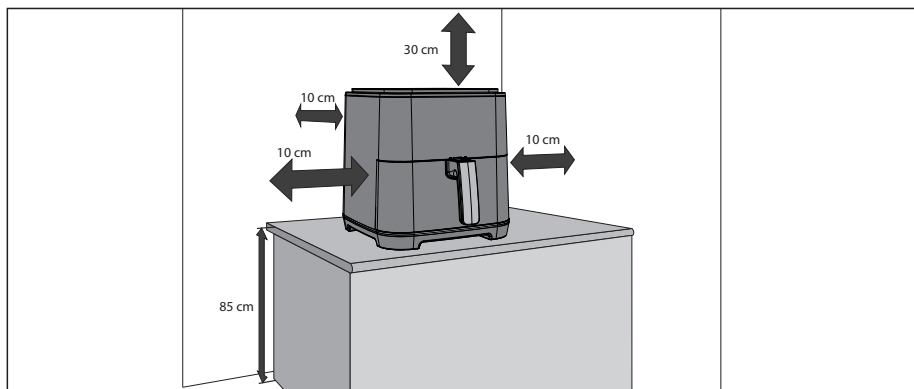
calientes.

- NO toque la entrada ni la salida de aire con el aparato en funcionamiento. Si lo hace, impedirá una cocción uniforme y puede dañar la unidad o provocar su calentamiento en exceso.
- NO toque los accesorios durante o inmediatamente después de cocer.
- Se debe tener mucho cuidado cuando el electrodoméstico contenga alimentos calientes. El uso inadecuado puede dar lugar a lesiones personales.
- Deje el tiempo suficiente para que el aparato se enfríe después de utilizarlo.
- Deje que la freidora de aire se enfríe antes de limpiarla.
- ADVERTECIA: Esta freidora de aire se calienta durante su uso, por lo que algunas superficies pueden alcanzar temperatura altas. Este dispositivo debe utilizarse con atención teniendo en cuenta la percepción de calor de las personas.
- Póngase guantes aislantes de protección cuando toque superficies calientes o la cesta para freír de aire caliente, el contenedor interno y los alimentos.
- Deje espacio suficiente por encima y por debajo del electrodoméstico para permitir la circulación de aire cuando vaya a utilizar el electrodoméstico. Asegúrese SIEMPRE de que el contenedor interno está adecuadamente cerrado antes de utilizarlo.
- NO permita que el cable de alimentación cuelgue sobre el borde de la superficie de trabajo ni que toque las superficies calientes.
- NO utilice el electrodoméstico si el cable o el enchufe están dañados de alguna manera o después de que el electrodoméstico presente fallos o se halla dañado de cualquier otra forma.
- NO sustituya ni modifique el cable de alimentación ni el enchufe.

- 
- NO utilice un alargador.
  - Asegúrese de que la toma de corriente resulta accesible cuando vaya a utilizar la freidora de aire.
  - Esta freidora de aire no se ha diseñado para utilizarse con un temporizador externo ni con un sistema de control remoto independiente.
  - Desenchufe el electrodoméstico de la corriente cuando no vaya a utilizarlo o antes de limpiarlo.
  - Al desenchufar el cable de alimentación de la corriente, sujete siempre del enchufe. No tire del cable.
  - Cuando acabe de utilizar la freidora de aire, pulse el botón STOP/CANCEL para volver al modo en espera y desconecte de la corriente.
  - Para protegerse contra descargas eléctricas, NO sumerja el electrodoméstico en agua ni otros líquidos.
  - NO tape ninguna parte de la freidora de aire mientras se encuentre en funcionamiento, ya que podría provocar su sobrecalentamiento.
  - NO coloque la freidora de aire sobre ninguna superficie caliente, cerca de quemadores eléctricos o de gas ni dentro de un horno caliente.

- Al utilizar la freidora eléctrica, deje al menos 100 mm de espacio alrededor para permitir la adecuada circulación del aire.

MANTENGA ESTAS INSTRUCCIONES EN UN LUGAR SEGURO PARA SU CONSULTA FUTURA



## ESPECIFICACIONES

<b>Nombre del modelo</b>	<b>GS404A</b>
Potencia de la freidora de aire (W)	1300
Niveles de temperatura de la freidora de aire (Celsius)	De 80 °C a 200 °C
Ocho programas automáticos	Patatas fritas, ternera, verduras, pollo pequeño, beicon, pescado, patatas y pizza
Dos funciones	Precalentar, cocer alimentos congelados
Capacidad (litros)	4,0
Panel de control	Digital con el control giratorio
Revestimiento de la cesta para freír	No adherente
Tamaño de la cesta para freír (diámetro x altura en mm)	Ø190 x 50
Revestimiento del contenedor interno	No adherente
Dimensiones del contenedor interno (An x Al x P en mm)	200 x 120
Longitud del cable (mm)	900
Nivel de ruido (dB)	55 - 62
Consumo (W)	1300
Requisitos de potencia	220-240 V 50 Hz
Consumo en modo en espera (W)	<0.5
Tamaño (An x Al x P en mm)	261 x 338 x 327
Peso (kg)	4,5

Este producto cumple los reglamentos y estándares del Reino Unido y de la UE.

COMO PARTE DE UNA POLÍTICA DE MEJORA CONTINUA, NOS RESERVAMOS EL DERECHO DE CAMBIAR EL DISEÑO SIN PREVIO AVISO.

# FREIDORA DE AIRE Y ACCESORIOS

**Familiarícese con las siguientes funciones y accesorios de la freidora de aire antes de utilizarla por primera vez:**

**Contenedor interno:** coloque la cesta para freír en el contenedor interno e introduzca el contenedor interno en la freidora de aire.

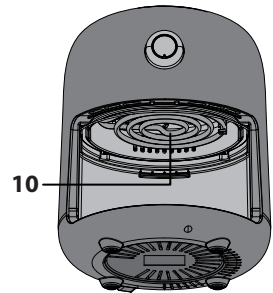
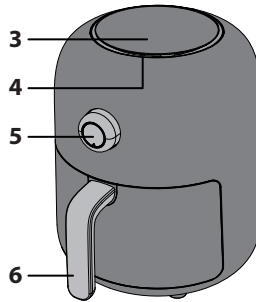
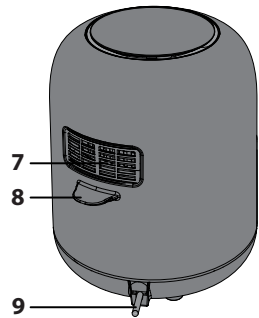
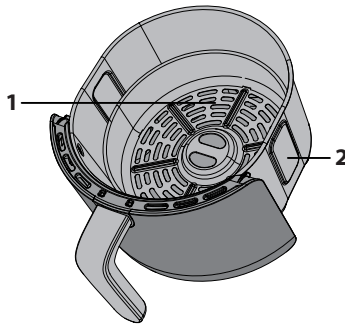
**Cesta para freír:** coloque los alimentos en la cesta para freír e introduzca la cesta en el contenedor interno para cocer.

**NOTA:** Para evitar que el contenedor interno se caiga al suelo, sitúelo en una superficie estable antes de levantar la cesta de la freidora de aire.

**Salida de aire:** durante el uso de la freidora de aire saldrá vapor caliente por la salida de aire (esto es normal). Mantenga la cara y las manos alejadas de la salida de aire cuando prepare alimentos con el electrodoméstico para evitar quemaduras.

**Asa:** este elemento se utiliza para introducir y sacar el contenedor interno de la freidora de aire.

1. Cesta de la freidora de aire
2. Cesta interna
3. Panel de control
4. Toma de aire
5. Mando giratorio
6. Asa de la cesta para freír
7. Salida de aire
8. Asa para sujetar
9. Cable de alimentación
10. Elemento de calor



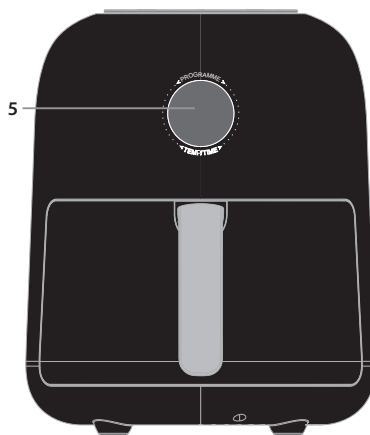
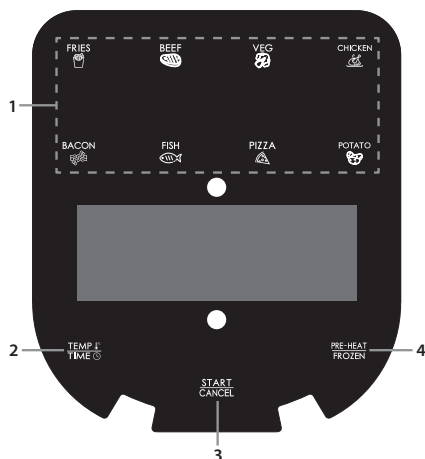
## DIRECCIÓN DEL FLUJO DE AIRE

Al preparar alimentos, el aire caliente del elemento se mueve como se ilustra en la imagen siguiente. Esta acción garantiza la preparación uniforme de los alimentos a la temperatura y el tiempo establecidos. No utilice ningún material como papel de aluminio para evitar obstruir este flujo de aire ni rellene en exceso la cesta para freír.



## PANEL DE CONTROL

- 1. Botones de cocción automática:** programas de cocción automática; puede seleccionar entre ocho opciones.
- 2. Temperatura/tiempo:** utilice este botón para controlar la temperatura manualmente.
- 3. Iniciar/cancelar:** permite iniciar o detener la operación de la freidora de aire.
- 4. Precalentar/recalentar:** para precalentar la freidora de aire a la temperatura de cocción correcta o recalentar alimentos fríos.
- 5. Mando giratorio:** se utiliza para ajustar la hora y la temperatura.



## ANTES DE UTILIZAR LA FREIDORA DE AIRE

Antes de utilizar su freidora de aire por primera vez, es recomendable lavar el contenedor interno y la cesta para freír con agua enjabonada caliente o lavarla en el lavavajillas después de sacarla del paquete y retirar todo el embalaje. A continuación, seque bien todos los accesorios y vuelva a montar la freidora de aire. Limpie el cuerpo exterior y las partes internas con un paño húmedo y seque antes de usar.

Enchufe el aparato a la red eléctrica y configúrelo para cocinar patatas fritas (no introduzca ningún alimento en el aparato). El aparato se encenderá a 180°C durante 23 minutos para que se disipen los residuos que puedan haberse adherido a la resistencia durante la fabricación.

Se aconseja leer atentamente estas instrucciones antes de utilizar.

# INSTRUCCIONES DE FUNCIONAMIENTO

## Su freidora de aire tienes varios modos de uso:

**Cocción automática:** permite seleccionar uno de las ocho opciones de cocción preprogramadas.

**Cocer alimentos congelados:** permite cocer alimentos congelados (solo verduras, pizza y patatas fritas).

**Precalentar:** asegúrese de que su freidora de aire está a la temperatura correcta antes de preparar los alimentos.

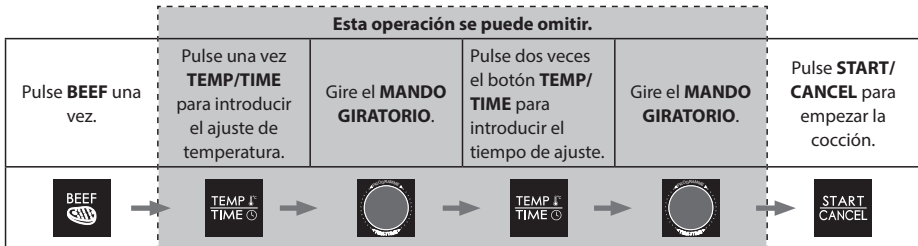
## Observaciones sobre la cocción

- La cantidad de alimentos no debe superar en más de 4/5 la capacidad total de la cesta de la freidora de aire.
- La temperatura y el tiempo de cocción pueden ajustarse durante la cocción.
- Para detener la cocción, extraiga la olla interior del aparato; al volver a introducirla, el aparato se pondrá en marcha automáticamente.
- Para cancelar la cocción, pulse dos veces el botón "START/CANCEL".
- Algunos alimentos necesitarán ser removidos/agitados durante la cocción: Saque la olla interna de la unidad, revuelva/agite según sea necesario y luego regrese la olla interna a la Air Fryer; la Air Fryer se reiniciará automáticamente.
- Asegúrese de que los alimentos se han preparado correctamente. Si los alimentos no se han cocido bien, vuelva a introducirlos en la freidora de aire y cueza durante más tiempo.
- Para evitar que el contenedor interno se caiga al suelo, sitúelo en una superficie estable y a prueba de calor antes de levantar la cesta de la freidora de aire.
- La cesta de la freidora es solo para cocer alimentos.
- NO la utilice para freír en aceite.

## Cocción automática

Para su facilidad y comodidad, existen ocho programas de cocción automática. Puede acceder fácilmente a ellos a través de los botones del panel de control.

En el ejemplo siguiente, se prepara ternera. No es necesario ajustar la temperatura ni el tiempo, a menos que le guste cocer sus alimentos más o menos.



1. Disponga de forma uniforme los alimentos que se van a preparar en la cesta para freír.
2. Introduzca la cesta para freír en el contenedor de freír e inserte el contenedor interno en la freidora de aire.
3. Enchufe la freidora de aire a la corriente.
4. Seleccione los alimentos deseados pulsando el botón de cocción automática en el panel de control. La temperatura y el tiempo predeterminados parpadearán en la pantalla LED.
  - a. Si es necesario, pulse una vez el botón **TEMP/TIME** y, a continuación, pulse el **MANDO GIRATORIO** para establecer la temperatura deseada de cocción.
  - b. Si es necesario, pulse dos veces el botón **TEMP/TIME** y, a continuación, pulse el **MANDO GIRATORIO** para establecer el tiempo deseado de cocción.
5. Pulse el botón **START/CANCEL** para empezar a cocer; se iniciará un recuento de tiempo.
6. Cuando se complete la cocción, la freidora de aire emitirá un sonido y la unidad volverá al modo en espera.
7. Tire del contenedor interno con cuidado y extraiga los alimentos de la cesta de la freidora de aire o el calor restante en la freidora de aire seguirá cociendo y secando los alimentos.

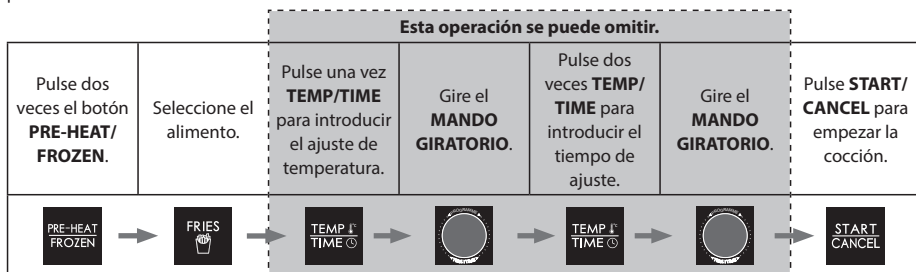
**Nota:** Si desea variar el tiempo de cocción durante a las funciones de cocción automático, podrá hacerlo hasta un máximo de un 30 %. El objetivo de esta limitación es evitar el potencial de quemar los alimentos.



Alimento	Peso	Temperatura inicial de los alimentos	Tiempo de cocción	Tiempo máximo extra	Dar la vuelta	Tiempo para cocer alimentos congelados	Temperatura	Comentarios
Patatas fritas	De 200 g a 500 g	Temperatura ambiente	15 - 20	23	Sí	26	180	Do not overload the pot.
Ternera	De 150 g a 500 g		8 - 12	16	Sí	-	200	Se puede preparar un filete de ternera de hasta 270 g.
Verduras	De 100 g a 400 g		10	13	Sí	14	190	Cut up vegetables into pieces 2 x 3cm.
Pollo	De 800 g a 1000 g		30	39	Sí	-	190	Un pollo entero o grandes piezas
Beicon	De 4 a 6 lonchas de beicon		9	12	-	-	180	Disponga las lonchas de beicon de forma uniforme en la cesta para freír
Pescado	De 100 g a 500 g		12	16	Sí	-	200	Place fish pieces directly onto the base of the frying basket.
Patatas	250 g cada uno		40	52	Sí	-	200	Introduzca hasta tres patatas de 250 gramos en cada cesta para freír
Pizza	De 100 g a 400 g		13	17	-	18	160	Place whole or pizza pieces directly in the frying basket.

## Cocer alimentos congelados

Para cocer alimentos cuando están congelados, siga las instrucciones para cocer automáticamente, pero pulse primero el botón **FROZEN**.



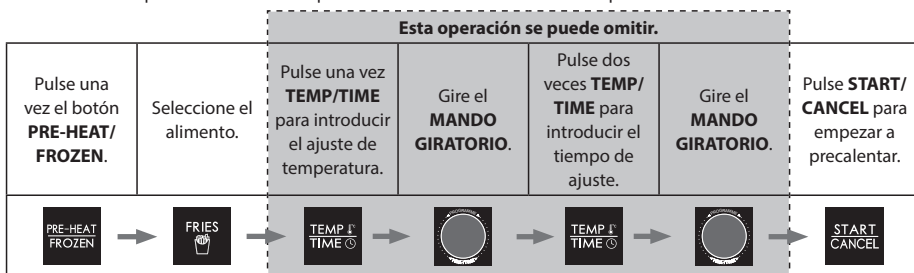
1. Disponga de forma uniforme los alimentos que se van a preparar en la cesta para freír.
2. Introduzca la cesta para freír en el contenedor de freír e inserte el contenedor interno en la freidora de aire.
3. Enchufe la freidora de aire a la corriente.
4. Pulse dos veces el botón **PRE-HEAT/FROZEN**.
5. Seleccione la función deseada pulsando el botón de función en el panel de control. La temperatura y el tiempo predeterminados parpadearán en la pantalla LED.
  - a. Si es necesario, pulse una vez el botón **TEMP/TIME** y, a continuación, pulse el **MANDO GIRATORIO** para establecer la temperatura deseada de cocción.
  - b. Si es necesario, pulse dos veces el botón **TEMP/TIME** y, a continuación, pulse el **MANDO GIRATORIO** para establecer el tiempo deseado de cocción.
6. Pulse el botón **START/CANCEL** para empezar a cocer; se iniciará un recuento de tiempo.
7. Cuando se complete la cocción, la unidad emitirá un sonido y volverá al modo en espera.
8. Pulse el botón de apertura y tire con cuidado del asa del contenedor interior para extraer los alimentos.

Cocer alimentos en estado congelado solo es posible en el caso de **PATATAS**, **VERDURAS** y **PIZZA**.

Para preparar otros alimentos congelados, consulte la información sobre cocción manual.

## Precalentar

Para asegurarse de que la freidora de aire se encuentra a la temperatura correcta para preparar los alimentos, existe una función de precalentamiento que se puede utilizar antes de las funciones de cocción automática y cocción manual. Pulse simplemente el botón de precalentar antes de seleccionar cualquier otra función.



1. Introduzca la cesta para freír en el contenedor de freír e inserte el contenedor interno en la freidora de aire.
2. Enchufe la freidora de aire a la corriente.
3. Pulse una vez el botón **PRE/HEAT FROZEN**
4. Seleccione los alimentos deseados pulsando el botón de cocción automática pertinente en el panel de control. La temperatura y el tiempo predeterminados parpadearán en la pantalla LED.
  - a. Si es necesario, pulse una vez el botón **TEMP/TIME** y, a continuación, pulse el **MANDO GIRATORIO** para establecer la temperatura deseada de cocción.
  - b. Si es necesario, pulse dos veces el botón **TEMP/TIME** y, a continuación, pulse el **MANDO GIRATORIO** para establecer el tiempo deseado de cocción.
5. Pulse el botón **START/CANCEL**.
6. Cuando la unidad haya alcanzado la temperatura de precalentamiento correcta, se oirá un sonido.
7. Extraiga el contenedor interno y disponga de forma uniforme los alimentos que se van a cocer en la cesta para freír.
8. Vuelva a colocar el contenedor interno y la cesta para freír en la freidora de aire.
9. La Air Fryer se pondrá en marcha automáticamente y comenzará la cuenta atrás.
10. Cuando se complete la cocción, la unidad emitirá un sonido y volverá al modo en espera.
11. Saque el recipiente interior y recuerde manipular con cuidado y sacar los alimentos de la cesta de freír inmediatamente o el calor que queda en la freidora de aire seguirá cocinando y secando sus alimentos.

## MANDO GIRATORIO

El mando giratorio de su freidora de aire tiene varias funciones, algunas de las cuales duplican los botones del panel de control.

Cuando la freidora de aire se enchufa a la corriente, entrará en el modo de ajuste de funciones, y mostrará la temperatura y el tiempo del primer modo de programas automáticos.

Para seleccionar el menú automático deseado, gire el mando y pulse su centro para confirmar una vez que el nombre del menú parpadee. Si la temperatura y el tiempo que se muestran en la pantalla son adecuadas, pulse el botón **START/CANCEL** en el panel de control superior para empezar a preparar los alimentos.

Si es necesario, puede ajustar la temperatura de cocción y el tiempo del menú seleccionado, antes de pulsar el botón **START/CANCEL** para empezar a preparar los alimentos.

1. Pulse el mando y el indicador de temperatura empezará a parpadear.
2. Gire el mando para establecer la temperatura de cocción deseada.
3. Pulse el mando para confirmar el ajuste de la temperatura. Los dígitos de tiempo empezarán a parpadear.
4. Gire el mando para establecer el tiempo de cocción deseado.
5. Pulse el centro del mando para iniciar el proceso de cocción.

Para cancelar la cocción, pulse el centro del mando.

## MANTENIMIENTO MIENTRAS SE USA

Este electrodoméstico requiere cierto mantenimiento cuando se usa. Limpie la freidora de aire cada vez que la use para prolongar su vida útil.

Esta freidora no contiene piezas que el usuario pueda reparar. No intente reparar el electrodoméstico. En el caso improbable de que se produzca una avería, póngase en contacto con el centro de atención telefónico de SHARP utilizando los detalles indicados al principio de este manual de usuario.

## INSTRUCCIONES DE LIMPIEZA

**PRECAUCIÓN:** Para protegerse contra descargas eléctricas, NO SUMERJA EL ELECTRODOMÉSTICO EN AGUA NI OTROS LÍQUIDOS.

Debe limpiar la freidora de aire regularmente para garantizar el mejor rendimiento y la mayor duración. Una limpieza regular reducirá también el riesgo de incendio. Para limpiar, siga las instrucciones que se indican a continuación:

1. Retire el enchufe de la toma de eléctrica y deje que la freidora de aire se enfríe.
2. Limpie la cesta para freír y el contenedor interno con un paño húmedo y enjabonado. Asegúrese de utilizar únicamente agua jabonosa templada. Si las manchas de la cesta o del contenedor interno resultan difíciles de limpiar, humedezca estos accesorios en agua caliente durante unos 10 minutos.
3. Limpie los elementos calefactores con un paño seco y suave.
4. Limpie la parte exterior de la freidora con un paño suave y húmedo, y deje secar.

**PRECAUCIÓN:** NO UTILICE LIMPIADORES ABRASIVOS NI NINGÚN TIPO DE ESTROPAJO sobre la superficie de la cesta para freír y el contenedor interno. Asegúrese de utilizar agua templada enjabonada. Los limpiadores abrasivos, los estropajos y los productos químicos de limpieza dañarán el revestimiento de la unidad.

No se requieren otras tareas de mantenimiento que las citadas.

Cualquier otro servicio deberá prestarlo un representante autorizado.

## ALMACENAMIENTO

Desenchufe la unidad, deje que se enfríe y limpie antes de almacenar. Almacene la freidora de aire en su caja en un lugar limpio y seco. No almacene nunca el electrodoméstico mientras esté caliente o sin desenchufar. No tense el cable al envolverlo alrededor de la freidora de aire. No someta el cable a tensiones cuando lo introduzca en la unidad, ya que podría deshilacharse y romperse.

Si se va a almacenar la freidora de aire durante un largo periodo de tiempo, asegúrese de que está limpia y libre de restos de alimentos. Almacene la freidora de aire en una ubicación seca, como sobre una mesa, encimera o estantería de armario.

# RESOLUCIÓN DE PROBLEMAS

Si experimenta problemas con su freidora de aire, siga los consejos que se indican a continuación.

La freidora de aire no funciona	El electrodoméstico no está enchufado o no se ha encendido.	Asegúrese de que el enchufe está insertado en una toma de pared y de que la unidad se ha encendido.
	No ha establecido el tiempo o la temperatura.	Establezca el tiempo y la temperatura, y pulse <b>START/CANCEL</b> .
	El contenedor interno no está adecuadamente introducido en la unidad.	Empuje el contenedor interno en la freidora de aire hasta que escuche un chasquido.
Los ingredientes cocidos con la freidora de aire no están bien preparados.	Se ha llenado en exceso la cesta para freír.	Introduzca pequeños lotes de ingredientes en la cesta para freír. Los lotes más pequeños se frien de forma más uniforme.
	La temperatura establecida es demasiado baja.	Ajuste la temperatura a la requerida.
	El tiempo de cocción es demasiado breve.	Ajuste el temporizador al tiempo de preparación requerido.
Los aperitivos fritos no están crujientes cuando salen de la freidora de aire.	Utilizó un tipo de alimento elaborado para freírse en una freidora de aceite tradicional.	Utilice aperitivos preparados para cocerse en la freidora de aire o aplique una ligera capa de aceite sobre los alimentos para obtener un resultado más crujiente.
No es posible o resulta difícil deslizar el contenedor interno y la cesta para freír adecuadamente en el electrodoméstico.	Se ha llenado en exceso la cesta para freír.	No llene en exceso la cesta para freír.
	La cesta para freír no está adecuadamente introducida en el contenedor interno.	Empuje la cesta para freír en el contenedor interno hasta que escuche un ligero chasquido.
El electrodoméstico despidе humo de color blanco.	Está preparando ingredientes grasos.	Si se frien ingredientes grasos en la freidora de aire, una parte importante de aceite gotea sobre el contenedor. Este aceite puede producir humo blanco y el contenedor puede calentarse más de lo normal. Esto no afecta al electrodoméstico ni al resultado final.
	El contenedor contiene todavía los residuos de grasa del uso anterior.	El humo blanco es causado por la grasa al calentarse en el contenedor interno; asegúrese de limpiar bien la cesta para freír y el contenedor interno después de cada uso.
Las patatas fritas no se frien de forma uniforme en la freidora de aire.	No utilizó el tipo correcto de patatas.	Utilice patatas frescas y asegúrese de que mantienen la firmeza durante la preparación.
	No lavó bien los bastones de patatas antes de freírlas.	Lave bien los bastones de patatas para retirar el almidón exterior.
Las patatas frescas no están crujientes cuando salen de la freidora de aire.	Lo crujiente que estén las patatas dependerá de la cantidad o tipo de aceite y del agua que contengan las patatas.	Asegúrese de secar bien los bastones de patatas antes de añadir el aceite.
		Corte las patatas en bastones más finos para conseguir un resultado más crujiente.
		Añada un poco más de aceite para obtener un resultado más crujiente.

Si sigue teniendo preguntas, póngase en contacto con el centro de atención del SHARP utilizando los datos indicados al principio de este manual.



### Tähelepanu:

Teie toode on märgistatud selise sümboliga.

See tähendab, et oma eluea ära elanud elektrilisi ja elektroonilisi tooteid ei tohi segada tavalise olmeprügiga. Selliste toodete jaoks on olemas eraldi kogumissüsteem.



[www.sharpconsumer.com/contact/](http://www.sharpconsumer.com/contact/)



[www.sharpconsumer.com/support/](http://www.sharpconsumer.com/support/)



[www.sharpconsumer.com/documents-of-conformity/](http://www.sharpconsumer.com/documents-of-conformity/)

## A. Kasutajainfo seadmete utiliseerimise kohta (eramajapidamiste)

### 1. Euroopa Liidus

Tähelepanu! Kui soovite seadmest vabaneda, ärge visake seda tavalisse prügikasti!

Kasutatud elektri- ja elektronseadmeid tuleb käidelda eraldi ja vastavalt õigusaktidele, mis nõuavad elektri- ja elektronseadmete õiget käitlust, taaskasutust ja ringlussevõttu.

EL riikides asuvad majapidamised viia oma kasutatud elektrilised ja elektroonilised seadmed tasuta selleks ette nähtud kogumispunktidesse\*. Osades riikides\* võib ka kohalik edasimüüja teie vana toote tasuta vastu võtta juhul, kui te ostate temalt uue samasuguse seadme.

\*) Palun võtke täpsustamiseks ühendust oma kohaliku asutusega.

Kui teie kasutatud elektri- või elektronseadmel on patareid või akud, palun vabanegge neist eelnevalt vastavalt kohalikele nõuetele. Selle toote korrektse kõrvaldamisega aitate tagada jäätmete nõuetekohase käitluse, taaskasutuse ja ringlussevõtu ning seega vältida võimalikke kahjulikke mõjusid keskkonnale ja inimeste tervisele, mida jäätmete vale käitlus vastasel juhul kaasa võiks tuua.

### 2. Muudes riikides väljaspool ELi

Kui soovite sellest tootest vabaneda, võtke palun ühendust kohalike asutustega ja selgitage välja õige kõrvaldamisviis.

Šveits: kasutatud elektri- ja elektroonikaseadmete romud saab tagastada müüjale tasuta isegi juhul, kui te uut ei osta.

Täiendavate jäätmekogumispunktide andmed on ära toodud järgmistel kodulehekülgedel: [www.swico.ch](http://www.swico.ch) või [www.sens.ch](http://www.sens.ch).

## B. Info seadmete utiliseerimise kohta äriklientidele.

### 1. Euroopa Liidus

Kui toodet kasutatakse äriistel eesmärkidel ja te soovite sellest vabaneda: Palun võtke ühendust SHARP-i toodete vahendajaga, kes teavitab teid toote tagastamisvõimalustest. Võimalik, et teil tuleb tasuda toote tagastamise ja ringlussevõtuga kaasnevad kulud. Väikesemõdulisi tooteid (ja väikeses koguses) võidakse vastu võtta ka teie kohalikus kogumispunktis.

Hispaania puhul: võtke palun oma kasutatud toodete tagasi võtmiseks ühendust oma olemasoleva kogumissüsteemi või kohaliku omavalitsusega.

### 2. Muudes riikides väljaspool ELi

Kui soovite sellest tootest vabaneda, võtke palun ühendust kohalike asutustega ja selgitage välja õige kõrvaldamisviis.

---


# SISUKORD

OHUTUSJUHISED .....	3
TEHNILISED ANDMED .....	6
KUUMAÕHUFRITÜÜR JA TARVIKUD .....	7
JUHTPANEEL.....	8
ENNE KUUMAÕHUFRITÜÜRI KASUTAMIST .....	8
KASUTUSJUHISED .....	9
Automaatne toiduvalmistamine.....	9
Külmutatud toidu valmistamine.....	10
Eelkuumutamine .....	11
PÖÖRATAV JUHTNUPP.....	12
HOOLDAMINE KASUTAMISE AJAL .....	12
PUHASTAMISJUHISED .....	12
HOIUSTAMINE .....	12
TÕRKETUVASTUS .....	13

## OHUTUSJUHISED

### **Elektrilise seadme kasutamisel tuleb alati järgida põhilisi ohutusjuhiseid, sh allpool väljatooduid.**

- Laste tegevust on vaja jälgida tagamaks, et nad seadmega EI MÄNGIKS.
- See seade pole mõeldud kasutamiseks pärsitud füüsiliste, sensoorsete või vaimsete võimetega ega kogemuste ja teadmisteta isikute poolt (sh lapsed), välja arvatud juhul, kui nende ohutuse eest vastutav isik jälgib nende tegevust või on õpetanud seadet kasutama.
- Puhastage kuumaõhufritüüri korv ja sisenõu seebiveega niisutatud lapiga. Kasutage kindlasti vaid mahedatoimelist seebivett.
- ÄRGE kasutage puhastamiseks metallist küürimispatju. Padjalt võivad tulla lahti tükid, mis võivad puutuda kokku elektriosadega, tekitades selliselt elektrilöögiohu. Samuti võib tulemusena pinnakate kahjustada saada.
- Kuivatage masina ja kõik selle agregaadid enne hoiustamist või kasutamist pehme lapiga.
- Kui korvil või sisenõul on mõned raskesti eemaldatavad plekid, leotage neid enne puhastamist umbes 10 minutit soojas vees.
- Fritüürimiskorvi ja sisenõud võib puhastada nõudepesumasinas.
- ÄRGE nõud valmistamise ajal ülemääraselt täitke. Liigne täitmine või põhjustada kehavigastusi, kahjustada seadet või mõjuda seadme kasutamise ohutusele.
- ÄRGE KASUTAGE sisenõus õli ega muid vedelikke.
- ÄRGE kasutage seadet õlis fritüürimiseks.
- Tervise ohutuse huvides veenduge, et toit on korralikult valminud ja läbi küpsenud.
- Jälgige, et toit ei saaks puutuda vastu kuumutuselemente.
- VEENDUGE ALATI, et seade on enne kasutamist korralikult kokku pandud.

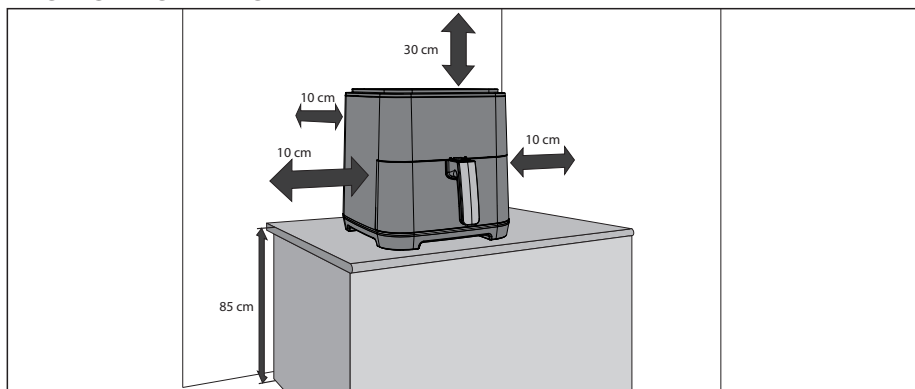
- 
- ÄRGE pange järgmisi materjale kuumaõhufritüüri: papp, plast, paber vms.
  - ÄRGE hoidke kuumaõhufritüüris, kui seda ei kasutata, muid kui seadme komplekti kuuluvaid tarvikuid.
  - ÄRGE kasutage seadet muuks, kui selleks ettenähtud otstarbeks.
  - ÄRGE kasutage seadet õues.
  - Kui seadme kasutamise käigus tekib vajadus nõu küsida, võtke ühendust Sharp Help Line'iga.
  - Hoidke seadet vaid õigetest käepidemetest ja kasutage kuumakaitsevahendeid, nagu kuumakindad või pajalapid.
  - Lugege kogu kasutusjuhend läbi, et oleksite kursis kuumaõhufritüüri kasutamisega. ÄRGE puudutage kuumasid pindu ja kasutage võimalusel käepidemeid või juhtnuppe (olemasolul).
  - Mittesoovitatud tarvikute kasutamine võib põhjustada ohtu või vigastusi.
  - Antud seade on mõeldud AINULT KODUSES MAJAPIDAMISES KASUTAMISEKS.
  - Sisenõu maha kukkumise vältimiseks pange sisenõu enne fritüürimiskorvi tõstmist kindlale pinnale.
  - Kasutamise ajal veenduge, et käepide on suunatud teie poole.
  - ETTEVAATUST: märgis  tähendab, et SEADME PINNAD ON KASUTAMISE AJAL VÕI PÄRAST KASUTAMIST KUUMAD. ÄRGE puudutage kuumasid pindu.
  - ÄRGE katke töötava seadme õhu sisse- või väljalaskeavasid kinni. Nende kinnikatmine võib põhjustada ebaühtlase küpsetamistulemuse ja kahjustada seadet või põhjustada viimase ülekuumenemise.
  - ÄRGE puudutage tarvikuid valmistamise ajal või vahetult pärast valmistamist.
  - Kui seade sisaldab kuuma toitu, tuleb olla äärmiselt ettevaatlik. Vale kasutamine võib põhjustada kehavigastusi.
  - Laske seadmel pärast kasutamist piisavalt kaua maha jahtuda.



- Laske kuumaõhufritüüri enne puhastamist maha jahtuda.
- HOIATUS: kuumaõhufritüür muutub kasutamise ajal kuumaks ja mõned pinnad võivad saavutada kõrge temperatuuri. Kuna inimesed tajuvad temperatuuri, tuleb seadet kasutada ettevaatlikult.
- Kandke kuumaõhufritüüri kuumade pindade, sisenõu ja toidu katsumisel kuumakindlaid kindaid.
- Seadme kasutamisel tagage selle kohal ja kõikidel külgedel piisavalt ruumi õhu tsirkuleerimise jaoks. Enne kasutamist veenduge ALATI, et sisenõu on korralikult suletud.
- ÄRGE laske toitejuhtmel rippuda töötasapinnalt alla või puutuda vastu kuumi pindu.
- ÄRGE kasutage seadet, kui toitejuhe või -pistik on mis tahes moel kahjustatud või kui seadme töös on täheldatud häireid või kui seade on mis tahes muul moel kahjustatud.
- ÄRGE vahetage ega muutke toitejuhett ega -pistikut.
- ÄRGE kasutage pikendusjuhet.
- Veenduge, et voluvõrgu pistikupesal/lüliti on kuumaõhufritüüri kasutamise ajal alati ligipääsetav.
- Kuumaõhufritüür ei ole mõeldud välise taimeri või eraldi kaugjuhtimissüsteemi abil kasutamiseks.
- Kui seadet ei kasutata või siis enne seadme puhastamist tuleb seade voluvõrgust lahti ühendada.
- Toitepistikuga voluvõrgust lahtiühendamisel hoidke alati pistikust ja ärge kunagi tõmmake juhtmetest.
- Kui olete lõpetanud kuumaõhufritüüri kasutamise, vajutage ooterežiimi naasmiseks nuppu STOP/CANCEL ja eraldage seejärel seade voluvõrgust.
- Elektrišokiohu vältimiseks ÄRGE pange kuumaõhufritüüri vette ega ühtegi teise vedelikku.
- ÄRGE katke töötava kuumaõhufritüüri mis tahes osi kinni, kuna see võib põhjustada seadme ülekuumenemise.
- ÄRGE asetage kuumaõhufritüüri mis tahes kuumadele pindadele, kuuma gaasi-/elektripliidi lähedale või kuuma ahju.

- Kuumaõhufritüüri kasutamise ajal säilitage piisava õhuringluse tagamiseks seadme külgedel vähemalt 100 mm vaba ruumi.

HOIDKE JUHEND HILISEMAKS UUESTI LÄBI VAATAMISEKS KINDLAS KOHAS ALLES



## TEHNILISED ANDMED

Mudeli nimetus	GS404A
Kuumaõhufritüüri võimsus (W)	1300
Kuumaõhufritüüri temperatuuritasemed (Celsius)	80 °C kuni 200 °C
8 automaatprogrammi	Friikartulid, loomaliha, köögiviljad, väike kana, peekon, kala, kartul, pitsa
2 funktsiooni	Eelkuumutamine, külmutatud toidu valmistamine
Mahutavus (liitrid)	4,0
Juhtpaneel	Digitaalne, pööratava juhtnupuga
Fritüürimiskorvi kattekiht	Mittenakkuv
Fritüürimiskorvi suurus (läbimõõt x kõrgus, mm)	Ø190 x 50
Sisenõu pinnakattekiht	Mittenakkuv
Sisenõu mõõtmed (läbimõõt x kõrgus, mm)	200 x 120
Toitejuhtme pikkus (mm)	900
Müratase (dB)	55–62
Võimsustarve (W)	1300
Toitepinge	220–240 V 50 Hz
Võimsustarve ooteseisundis (W)	<0.5
Mõõtmed (L x K x S, mm)	261 x 338 x 327
Kaal (kg)	4,5

Antud toode vastab ÜK ja EL-i asjakohastele regulatsioonidele ja standarditele.

PIDEVA PARENDAMISSTRATEEGIA ÜHE OSANA JÄTAME ENDALE ÕIGUSE MUUTA DISAINI JA TEHNILISI ANDMEID ILMA SELLEST EELNEVALT TEAVITAMATA.

# KUUMAÕHUFRITÜÜR JA TARVIKUD

**Viige end enne kuumaõhufritüüri esmakordset kasutamist kursi selle funktsioonide ja tarvikutega:**

**Sisenõu:** asetage fritüürimiskorb sisenõusse ja pange sisenõu seejärel kuumaõhufritüüri.

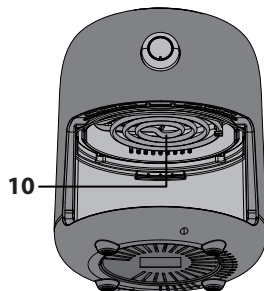
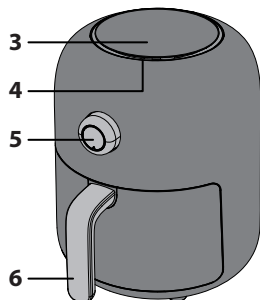
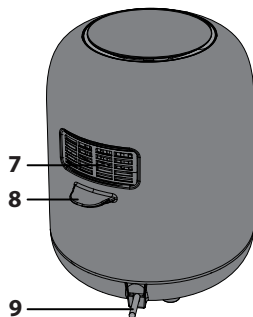
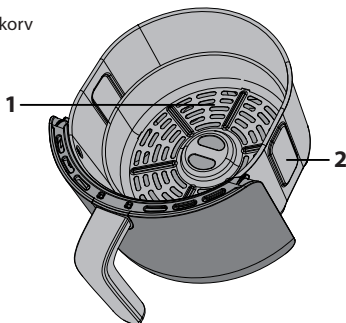
**Fritüürimiskorb:** asetage toit fritüürimiskorvi ja pange fritüürimiskorb seejärel toidu valmistamiseks sisenõusse.

**MÄRKUS:** sisenõu maha kukkumise vältimiseks pange sisenõu enne fritüürimiskorvi väljatõstmist kindlale pinnale.

**Õhu väljalaskeava:** seadme töötamise ajal väljub väljalaskeavast kuuma auru (normaalne nähtus). Põletuste vältimiseks hoidke oma nägu ja käed küpsetamise ajal õhu väljalaskeavast eemal.

**Käepide:** kasutatakse sisenõu ja fritüürimiskorvi kuumaõhufritüüri asetamiseks ja sealt välja võtmiseks.

1. Kuuma õhuga fritüürimise korb
2. Sisenõu
3. Juhtpaneel
4. Õhu sisselase
5. Pöördnupp
6. Fritüürimiskorvi käepide
7. Õhu väljalaskeava
8. Hoidekäepide
9. Toitejuhe
10. Kuumutuselement



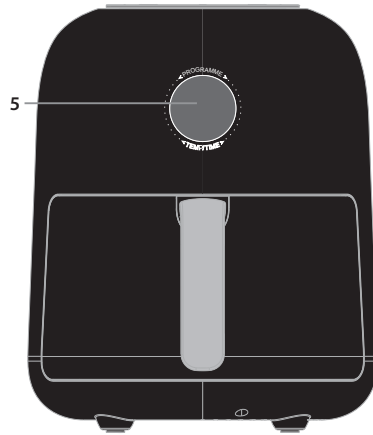
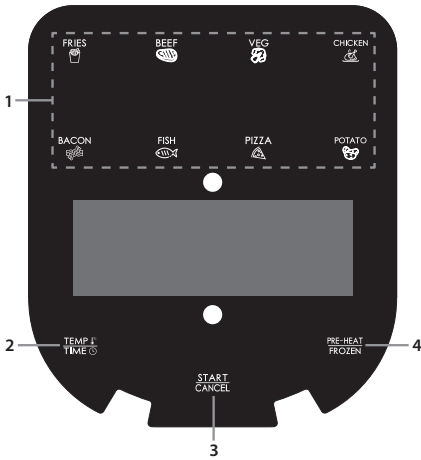
## ÕHU LIIKUMISSUUND

Küpsetamise ajal juhitakse kuum õhk elemendilt mööda all asuval pildil näidatud teed. See tagab teie toidu ühtlase küpsetamise etteantud temperatuuril ja ajaperioodi vältel. Ärge kasutage mingeid materjale, näiteks metallfooliumi, mis võiks õhu liikumist takistada; ärge fritüürimiskorvi ülemääraselt täitke.



# JUHTPANEEL

1. **Automaatse valmistamise nupud** – 8 erinevat võimalikku automaatse valmistamise võimalust.
2. **Temperatuur/aeg** – kasutage seda nuppu temperatuuri ja aja käsitsi reguleerimiseks.
3. **Start/Cancel** – kuumaõhufritüüri töötamise alustamiseks või töötamise tühistamiseks/peatamiseks.
4. **Pre-Heat/Frozen** – kuumaõhufritüüri sobivale valmistamistemperatuurile ette kuumutamiseks või külmutatud toidu küpsetamiseks.
5. **Pöördnupp** – aja ja temperatuuri valimiseks.



# ENNE KUUMAÕHUFRITÜÜRI KASUTAMIST

Enne kuumaõhufritüüri esmakordset kasutamist tuleb fritüürimiskorv ja sisenõu pärast täielikku lahtipakkimist ja kõigi pakkematerjalide eemaldamist kuuma seebiveega või nõudepesumasinas puhtaks pesta. Seejärel kuivatage kõik tarvikud põhjalikult ja pange kõik kuumaõhufritüüri osad uuesti kokku. Pühkige seadme välispindu ja kõiki siseosi enne kasutamist niiske lapiga ja kuivatage.

Ühendage seade vooluvõrku ja seadistage seade friikartulite valmistamiseks (ärge pange seadmesse ühtegi toitu). See lülitab seadme 23 minutiks 180 °C juures sisse, mis võimaldab kütteelemendile valmistamise ajal külge jäänud jäägid hajutada.

Soovitav on juhend enne seadme kasutamist täielikult läbi lugeda.

# KASUTUSJUHISED

**Teie kuumaõhufritiiril on mitu kasutusrežiimi:**

**Automaatne toiduvalmistamine** – valige üks 8st eelprogrammeeritud valmistamisvõimalusest.

**Külmutatud toidu valmistamine** – külmutatud olekus toiduainete valmistamine (ainult köögiviljad, pitsa ja friikartulid).

**Elkuumutamise** – enne valmistamise algust veenduge, et kuumaõhufritiir on õigel temperatuuril.

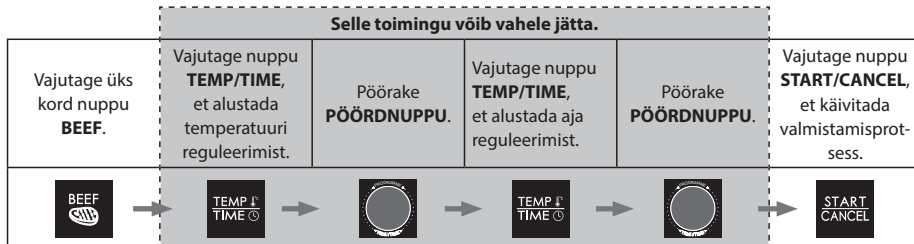
**Toiduvalmistamist puudutavad märkused**

- Toiduainete kogus ei tohi ületada 4/5 fritiirimiskorvi mahust.
- Valmistamise temperatuuri ja aega on võimalik valmistamise käigus muuta.
- Küpsetamise peatamiseks tõmmake sisemine pott seadmest välja; kui see lükatakse tagasi, käivitub seade automaatselt.
- Valmistamise tühistamiseks vajutage kaks korda nuppu „**START/CANCEL**“.
- Mõningaid toiduaineid tuleb keetmise ajal segada/taputada: Tõmmake sisemine pott seadmest välja, segage/ taputage vastavalt vajadusele ja seejärel asetage sisemine pott tagasi õhufritiürisse; õhufritiir käivitub automaatselt uuesti.
- Veenduge, et toit on korralikult valminud. Kui toit pole veel korralikult valminud, asetage see kuumaõhufritiiri tagasi ja valmistage mõnda aega veel.
- Sisenõu maha kukkumise vältimiseks pange sisenõu enne korvi väljatõstmist kindlale ja kuuma taluval pinnale.
- Küpsetage toitu vaid selles kuumaõhufritiüris.
- ÄRGE kasutage seadet õlis fritiürimiseks.

## Automaatne toiduvalmistamine

Kasutamisihtsuse ja -mugavuse jaoks on seadmel 8 automaatset valmistamisprogrammi. Nende kasutamiseks on seadmel juhtpaneelil 8 spetsiaalset nuppu.

Järgnevas näites valmistatakse loomaliha. Temperatuuri ega aega ei ole vaja reguleerida, v.a juhul, kui soovite liha küpsetusastet kas suurendada või vähendada.



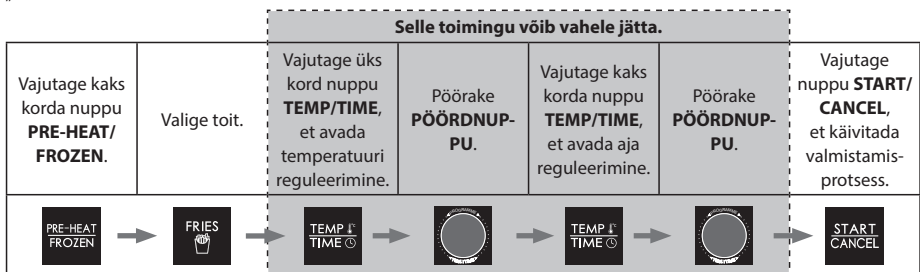
1. Asetage küpsetatav toit ühtlaselt fritiirimiskorvi.
2. Asetage fritiirimiskorvi sisenõusse ja sisestage sisenõu kuumaõhufritiiri.
3. Ühendage kuumaõhufritiir vooluvõrku.
4. Valige soovitud toit, vajudes selleks juhtpaneelil automaatse valmistamise nuppu. LED-displeil hakkavad vilkuma väikimisi temperatuuri ja aja näidud.
  - a. Kui on vaja valmistamistemperatuuri muuta, vajutage üks kord nuppu „**TEMP/TIME**“ ja valige seejärel **PÖÖRDNUPPU** pöörates vajalik temperatuur.
  - b. Kui on vaja valmistamisega muuta, vajutage kaks korda nuppu „**TEMP/TIME**“ ja valige seejärel **PÖÖRDNUPPU** pöörates vajalik valmistamisegaeg.
5. Valmistamise alustamiseks vajutage nuppu „**START/CANCEL**“; algab aja pöördlugemine.
6. Kui valmistamine on lõppenud, kostub kuumaõhufritiürist helisignaali ja seade lülitub ooterežiimi.
7. Tõmmake sisenõu ettevaatlikult välja ja võtke toit seejärel fritiirimiskorvist kohe välja või kuumaõhufritiiri jäänud kuumus jätkab teie toidu küpsetamist ja kuivatamist.

**Märkus:** automaatselt valmistatavate toitude valmistamisega muutes on teil võimalik suurendada maksimaalset keetmist vaid kuni 30%. Seda selleks, et vältida toidu võimalikku kõrbema minemist.

Toit	Kaal	Toidu algne temperatuur	Valmistamisaeg	Maksimaalne täiendav aeg	Pöörake ümber	Külmutatud olekust valmistamise aeg	Temperatuur	Märkused
Friikartulid	200 g kuni 500 g	Toatemperatuur	15–20	23	Jah	26	180	Do not overload the pot.
Loomaliha	150 g kuni 500 g		8–12	16	Jah	-	200	Seadmega saab valmistada kuni 270 g biifsteeki
Vegetable (köögivilj)	100 g kuni 400 g		10	13	Jah	14	190	Cut up vegetables into pieces 2 x 3cm.
Kana	800–1000 g		30	39	Jah	-	190	Terve kana või suured tükid
Bacon (Peekon)	4 kuni 6 peekoniviilu		9	12	-	-	180	Asetage peekoniviilud ühtlaselt fritüürimiskorvi
Kala	100 g kuni 500 g		12	16	Jah	-	200	Place fish pieces directly onto the base of the frying basket.
Kartul	250 g tk		40	52	Jah	-	200	Asetage fritüürimiskorvi kuni 3 umbes 250-grammist kartulit
Pizza (Pitsa)	100 g kuni 400 g		13	17	-	18	160	Place whole or pizza pieces directly in the frying basket.

## Külmutatud toidu valmistamine

Külmutatud toidu valmistamiseks järgige automaatse toiduvalmistamise juhiseid, kuid esmalt vajutage nuppu „FROZEN“.



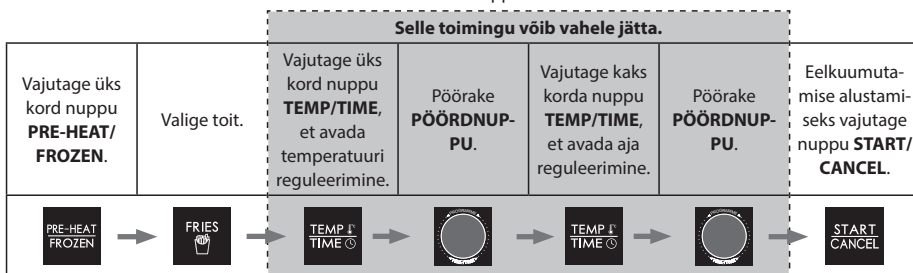
- Asetage küpsetatav toit ühtlaselt fritüürimiskorvi.
- Asetage fritüürimiskorvi sisenõusse ja sisestage sisenõu kuumaõhufritüür vooluvõrku.
- Ühendage kuumaõhufritüür vooluvõrku.
- Vajutage kaks korda nuppu „PRE-HEAT/FROZEN“.
- Vajutage soovitud funktsiooni, vajudes selleks juhtpaneelil funktsiooni nuppu. LED-displeil hakkavad vilkuma väikimisi temperatuuri ja aja näidud.
  - Kui on vaja valmistamistemperatuuri muuta, vajutage üks kord nuppu „TEMP/TIME“ ja valige seejärel **PÖÖRDNUPPU** pöörates vajalik temperatuur.
  - Kui on vaja valmistamisaega muuta, vajutage kaks korda nuppu „TEMP/TIME“ ja valige seejärel **PÖÖRDNUPPU** pöörates vajalik valmistamisaeg.
- Valmistamise alustamiseks vajutage nuppu „START/CANCEL“; algab aja pöördlugemine.
- Kui valmistamine on lõppenud, kostub seadmest helisignaali ja seade lülitub ooterežiimi.
- Vajutage avamisnuppu ja tõmmake sisenõu käepide ettevaatlikult välja. Seejärel võtke toit välja.

Külmutatud toidu valmistamine on võimalik ainult **friikartulite (FRIES)**, **köögiviljade (VEGETABLES)** ja **pitsa (PIZZA)** puhul.

Teiste külmutatud toiduainete valmistamisel tutvuge juhendis toodud soovitusetega.

## Eelkuumutamine

Selleks, et kuumaõhufritiür oleks teie toidu valmistamiseks sobival temperatuuril, on seadmel eelkuumutamiskompleksioon, mida saab kasutada enne automaatset ja käsitsi toiduvalmistamist. Selleks vajutage enne mis tahes muu funktsiooni valimist lihtsalt eelkuumutamise nuppu.



1. Asetage fritüürimiskorv sisenõusse ja sisestage sisenõu kuumaõhufritiüri.
2. Ühendage kuumaõhufritiür vooluvõrku.
3. Vajutage üks kord nuppu **PRE-HEAT/FROZEN**.
4. Valige soovitud toit, vajudes selleks juhtpaneelil vastavat automaatse valmistamise nuppu. LED-displeil hakkavad vilkuma vaikumisi temperatuuri ja aja näidud.
  - a. Vajaduse korral vajutage üks kord nuppu „**TEMP/TIME**“ ja valige seejärel „**PÖÖRDNUPPU**“ pöörates vajalik valmistamistemperatuur.
  - b. Kui on vaja valmistamisega muuta, vajutage kaks korda nuppu „**TEMP/TIME**“ ja valige seejärel **PÖÖRDNUPPU** pöörates vajalik valmistamisega.
5. Vajutage nuppu „**START/CANCEL**“.
6. Kui seade on saavutanud õige eelkuumutamistemperatuuri, kostub seaddest heli.
7. Võtke sisenõu välja ja asetage küpsetatav toit ühtlaselt fritüürimiskorvi.
8. Pange sisenõu/fritüürimiskorv kuumaõhufritiüri.
9. Air Fryer käivitub automaatselt ja aeg loeb tagasi.
10. Kui valmistamine on lõppenud, kostub seaddest helisignaali ja seade lülitub ooterežiimi.
11. Tõmmake sisemine pott välja ja ärge unustage, et käsitsete toitu ettevaatlikult ning võtke see kohe õhufritiüri korvist välja, sest muidu jätkab õhufritiüri jääv kuumus toidu küpsemist ja kuivatab selle ära.

## PÖÖRATAV JUHTNUPP

Kuumaõhufritiitüri Air Fryer pöörataval juhtnupul on mitu erinevat funktsiooni, milledest mõned duplitseerivad juhtpaneeli nuppude funktsioone.

Kui Air Fryer ühendatakse vooluvõrku, lülitub seade funktsioonide seadistamise režiimi ning kuvab esimese automaatprogrammi režiimi temperatuuri ja aja.

Soovitud automaatmenüü valimiseks pöörake nuppu ja kui menüü nimetus hakkab vilkuma, vajutage kinnitamiseks nupu keskosa. Kui displei näidatav temperatuur ja aeg on sobivad, vajutage toiduvalmistamise alustamiseks juhtpaneeli peal asuvat nuppu **START/CANCEL**.

Vajaduse korral saate enne toiduvalmistamise alustamiseks nupu **START/CANCEL** vajutamist muuta nii valmistamise temperatuuri kui ka aega.

1. Vajutage nuppu ja temperatuurinäit hakkab vilkuma.
2. Valige nuppu keerates soovitud valmistamistemperatuur.
3. Kinnitage nuppu vajutades valitud temperatuur. Vilkuma hakkavad kellaja numbrid.
4. Valige nuppu keerates soovitud valmistamisaeg.
5. Toiduvalmistamise alustamiseks vajutage nupu keskosa.

Valmistamise tühistamiseks vajutage nupu keskosa.

## HOOLDAMINE KASUTAMISE AJAL

Antud seade vajab kasutamise ajal minimaalselt hooldust. Kasutusea pikendamiseks puhastage kuumaõhufritiitüri pärast iga kasutuskorda.

Antud kuumaõhufritiitüri ei sisalda osi, mida kasutaja saaks või peaks hooldama. Ärge üritage seadet ise remontida. Ebatõenäolise rikke korral võtke ühendust SHARP kõnekeskusega, mille kontaktandmed leiate käesoleva juhendi algusest.

## PUHASTAMISJUHISED

**ETTEVAATUST:** elektrilöögi eest kaitsmiseks ÄRGE PANGE KUUMAÕHUFRITÜÜRI VETTE EGA MIS TAHES TEISE VEDELIKKU.

Parimate kasutustulemuste ja pika kasutusea tagamiseks tuleks kuumaõhufritiitüri regulaarselt puhastada. Regulaarne puhastamine vähendab ka süttimisohtu. Seadme puhastamiseks järgige järgnevaid juhiseid.

1. Eemaldage toitepistik vooluvõrgu pistikupesast. Laske kuumaõhufritiitüriil maha jahtuda.
2. Puhastage fritiitürimiskorvi ja sisenõud seebiveega niisutatud lapiga. Kasutage kindlasti vaid nõrgatoimelist seebivett. Kui sisenõul või korvil olevaid plekke on raske eemaldada, leotage neid umbes 10 minutit soojas vees.
3. Puhastage kuumutuselemente kuiva ja puhta lapiga.
4. Pühkige kuumaõhufritiitüri välispindu pehme ja niiske lapiga ja kuivatage seejärel.

**ETTEVAATUST:** ÄRGE KASUTAGE FRITÜÜRIMISKORVI VÕI SISENÕU PINDADEL ABRASIIVSEID PUHASTUSVAHENDEID VÕI KÜÜRIMISMATERJALE. Abrasiivsed puhastusvahendid, küürimisharjad ja puhastuskemikaalid kahjustavad antud seadme pinnakatet.

Soovitatud puhastamisele lisaks pole mingi muud kasutaja poolne hooldamine vajalik.

Kõik muud hooldamistööd tuleb jätta ametliku teenindusesindaja teostada.

## HOIUSTAMINE

Lahutage seade enne hoiustamist vooluvõrgust, laske maha jahtuda ja puhastage. Hoiustage kuumaõhufritiitüri oma karbis puhtas ja kuivas kohas. Mitte mingil juhul ärge hoiustage seadet, kui see on veel kuum või on veel vooluvõrku ühendatud. Ärge kerige toitejuhet tihedalt ümber kuumaõhufritiitüri. Ärge rakendage toitejuhtme seadmesse sisenemise kohta juures toitejuhtmele pingeid, kuna juhe või hakata mõranema ja puruneda.

Kuumaõhufritiitüri pikaks ajaks hoiule pannes veenduge, et seade on puhas ja ei sisalda toiduosakesi. Hoiustage kuumaõhufritiitüri kuvas kohas, näiteks laual, töötasapinnal või riulil.



# TÖRKETUVASTUS

Kui teil tekib kuumaõhufritüüri kasutamisel raskusi, järgige järgnevaid juhiseid.

Kuumaõhufritüür ei tööta	Seade pole kas vooluvõrku ühendatud või pole sisse lülitatud.	Veenduge, et toitepistik on vooluvõrgu pistikupesasse ühendatud ja seade ise on sisse lülitatud.
	Te pole valinud kas aega või temperatuuri.	Valige aeg ja temperatuur ning vajutage seejärel nuppu „START/CANCEL“.
	Sisenõu ei ole seadmesse korralikult lukustatud	Suruge sisenõu kuumaõhufritüüri, kuni kostub klõpsatus.
Kuumaõhufritüüriga küpsetatud toiduained pole valmis.	Fritüürimiskorvis on liiga palju toitu.	Pange fritüürimiskorvi väiksemad kogused toiduaineid. Väiksemad kogused valmivad ühtlasemalt.
	Valitud temperatuur on liiga madal.	Muutke temperatuuri vajalikule seadistusele.
	Valmistamisaaeg on liiga lühike.	Valige taimeril vajalik valmistamisaaeg.
Küpsetatud suupisted pole kuumaõhufritüürist väljavõtmisel krõbedad.	Valisite valet liiki suupiste, mis oli ettenähtud valmistamiseks traditsioonilises fritüüris.	Kasutage suupisteid, mis on mõeldud ahjus valmistamiseks või pintseldage suupisteid krõbedama tulemuse saavutamiseks kergelt õliga.
Sisenõud ja fritüürimiskorvi on raske või peaaegu võimatu korralikult seadmesse lükata.	Fritüürimiskorvis on liiga palju toitu.	Ärge fritüürimiskorvi ülemäärast täitke.
	Fritüürimiskorvi ei ole korralikult sisenõusse asetatud	Lükake fritüürimiskorv alla sisenõusse, kuni kuulete klõpsatust.
Seadme tuleb valget suitsu.	Valmistate rasvaseid toiduaineid.	Kuumaõhufritüüris rasvaste toiduainete valmistamisel satub pannile suures koguses õli. Selline õli võib tekitada valget suitsu ja pann võib tavapärasest rohkem kuumeneda. See aga ei mõjuta seadme tööd ega saadavat lõpptulemust.
	Pannile on eelmisest kasutamisest jäänud rasvajääke.	Valget suitsu põhjustab sisenõus oleva rasva kuumenemine; tehke sisenõu ja fritüürimiskorv pärast iga kasutamist korralikult puhtaks.
Värsked friikartulid küpsevad kuumaõhufritüüris ebahühtlaselt.	Kasutate valet tüüpi kartuleid.	Kasutage värskeid kartuleid ja veenduge, et nad säilitavad küpsetamise käigus oma tugevuse.
	Te ei loputanud kartulipulki enne küpsetamist korralikult.	Loputage kartulipulki põhjalikult, et eemaldada välispinnalt tärlis.
Värsked friikartulid pole kuumaõhufritüürist väljavõtmisel krõbedad.	Kartulite krõbedus sõltub kasutatava õli kogusest/ tüübist ja kartulis sisalduvast veest.	Ärge unustage enne õli lisamist kartulipulki korralikult kuivatada.
		Krõbedamate tulemuste saamiseks löigake kartulid peenemateks pulkadeks.
		Krõbedamate tulemuste saamiseks lisage natukene rohkem õli.

Kui teil on jätkuvalt probleeme, võtke palun ühendust SHARP kõnekeskusega, mille kontaktandmed leiате käesoleva juhendi alguses.



#### **Huomio:**

Tuotteesi on merkitty tällä symbolilla.

Se tarkoittaa, että käytettyjä sähkö- ja elektroniikkalaitteita ei saa käsitellä talousjätteiden kanssa. Näille tuotteille on erillinen keräysjärjestelmä.



[www.sharpconsumer.com/  
contact/](http://www.sharpconsumer.com/contact/)



[www.sharpconsumer.com/  
support/](http://www.sharpconsumer.com/support/)



[www.sharpconsumer.com/  
documents-of-conformity/](http://www.sharpconsumer.com/documents-of-conformity/)

## **A. Tietoja hävittämisestä käyttäjille (yksityiset kotitaloudet)**

### **1. Euroopan unionissa**

Huomio: Jos haluat hävittää tämän laitteen, älä vie sitä tavalliseen roskasäiliöön!

Käytettyjä sähkö- ja elektroniikkalaitteita täytyy käsitellä erikseen niiden asianmukaista käsittelyä, palautusta ja kierrätystä koskevan lainsäädännön mukaisesti.

EU:n jäsenvaltioiden täytäntöönpanon jälkeen yksityiset kotitaloudet jäsenvaltioissa voivat palauttaa käytetyt sähkö- ja elektroniikkalaitteet määrättyihin keräyspisteisiin ilmaiseksi\*.

Joissakin maissa\* paikallinen jälleenmyyjä voi myös ottaa takaisin vanhat laitteet veloitusetta, jos ostat samanlaisen uuden laitteen.

\*) Pyydä lisätietoja paikallisilta viranomaisilta.

Jos käytetyissä sähkö- tai elektroniikkalaitteissa käytetään paristoja tai akkuja, hävitä nämä tuotteet erikseen etukäteen paikallisten säädösten mukaisesti. Kun hävität tämän tuotteen asianmukaisesti, autat varmistamaan, että jätteet käyvät läpi tarpeellisen käsittelyn, hyödyntämisen ja kierrätyksen. Näin estät mahdolliset kielteiset vaikutukset ympäristölle ja ihmisten terveydelle, joita saattaa olla seuraamuksena jätteiden väärästä käsittelystä.

### **2. Muissa maissa EU:n ulkopuolella**

Jos haluat hävittää tämän tuotteen, ota yhteys paikallisiin viranomaisiin ja kysy asianmukaista hävittämistapaa.

Sveitsi: Käytetyt sähkö- ja elektroniikkalaitteet voidaan palauttaa maksutta jälleenmyyjälle, vaikka et ostaisi uutta tuotetta. Muita keräyspisteitä on lueteltu verkkosivustoilla [www.swico.ch](http://www.swico.ch) tai [www.sens.ch](http://www.sens.ch).

## **B. Lisätietoja hävittämisestä yrityskäyttäjille**

### **1. Euroopan unionissa**

Jos tuote on ollut yrityskäytössä ja haluat hävittää sen:

Ota yhteys SHARP-jälleenmyyjään, joka antaa lisäohjeita tai ottaa tuotteen takaisin. Sinulta saatetaan veloittaa takaisinotosta tai kierrätyksestä aiheutuneet kustannukset. Pienet tuotteet (ja pienet jätemäärät) voidaan ottaa takaisin paikallisissa keräyspisteissä.

Espanja: Ota yhteyttä käytössä olevaan keräysjärjestelmään tai paikallisiin viranomaisiin, ja pyydä näitä ottamaan takaisin käytetyt laitteet.

### **2. Muissa maissa EU:n ulkopuolella**

Jos haluat hävittää tämän tuotteen, ota yhteys paikallisiin viranomaisiin ja tiedustele asianmukaista hävittämistapaa.

Katso huoltaa **koskevat tiedot osoitteesta [www.sharpconsumer.com/contact/](http://www.sharpconsumer.com/contact/)**, takuuoikeus osoitteesta **[www.sharpconsumer.com/support/](http://www.sharpconsumer.com/support/)** tai ota yhteyttä jälleenmyyjään, jolta ostit tuotteen.

Vaatimustenmukaisuusvakuutukset ovat saatavilla osoitteessa

**[www.sharpconsumer.com/documents-of-conformity/](http://www.sharpconsumer.com/documents-of-conformity/)**

# SISÄLTÖ


TURVALLISUUSOHJEET .....	3
TEKNISET TIEDOT .....	6
ILMAFRITEERAUSKEITIN JA TARVIKKEET .....	7
SÄÄTÖPANEELI.....	8
ENNEN ILMAFRITEERAUSKEITTIMEN KÄYTTÖÄ .....	8
KÄYTTÖOHJEET .....	9
Automaattinen ruoanvalmistus .....	9
Pakasteesta kypsennys .....	10
Esilämmitys.....	11
SÄÄTÖKIEKKO .....	12
HUOLTO KÄYTÖN AIKANA .....	12
PUHDISTUSOHJEET.....	12
VARASTOINTI .....	12
VIANMÄÄRITYS.....	13

## TURVALLISUUSOHJEET

### **Sähkölaitetta käytettäessä on aina noudatettava perusturvallisuutta koskevia varotoimia, kuten seuraavia:**

- Lapsia on valvottava, ETTEIVÄT he leiki laitteella.
- Tätä laitetta ei ole tarkoitettu sellaisten henkilöiden (mukaan lukien lasten) käyttöön, joilla on heikentyneet fyysiset, sensoriset tai henkiset kyvyt tai joilla ei ole kokemusta tai tietoa, ellei heidän turvallisuudestaan vastaava henkilö ole valvonut tai opastanut heitä laitteen käytössä.
- Puhdista ilmakypsennyskori ja sisäästia kostealla, saippuaisella liinalla. Varmista, että käytät vain mietoa saippuavettä.
- ÄLÄ puhdista metallisilla hankaustyynyillä. Palaset voivat irrota tyynystä ja koskettaa sähköosia, mikä aiheuttaa sähköiskun vaaran. Myös pinta voi vaurioitua.
- Kuivaa laite ja kaikki osat pehmeällä liinalla ennen varastointia tai käyttöä.
- Jos korissa tai sisäästiasissa on tahroja, joita on liian vaikea puhdistaa, anna niiden liota lämpimässä vedessä noin 10 minuuttia ennen puhdistusta.
- Paistokori ja sisäästia voidaan puhdistaa astianpesukoneessa.
- ÄLÄ ylitäytä kypsennyksen aikana. Ylitäyttö voi aiheuttaa henkilö- tai omaisuusvahinkoja tai vaikuttaa laitteen turvalliseen käyttöön.
- ÄLÄ käytä öljyä tai mitään muuta nestettä sisäästiasissa.
- ÄLÄ käytä tätä laitetta uppopaistamiseen.
- Varmista, että ruoka valmistetaan ja kypsennetään oikein terveysturvalliseksi.
- Estä ruoan joutuminen kosketuksiin lämmityselementtien kanssa.
- Varmista AINA, että laite on koottu kunnolla ennen käyttöä.
- ÄLÄ laita mitään seuraavista materiaaleista ilmafriteerauskeittimeen: pahvia, muovioita, paperia tai muuta

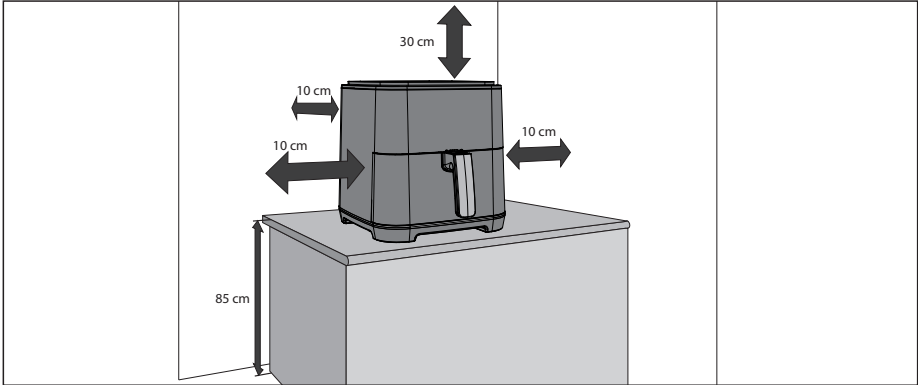
vastaavaa.

- ÄLÄ säilytä mitään muita materiaaleja ilmafriteerauskeittimessä, kuin mukana toimitettuja lisävarusteita silloin kun sitä ei käytetä.
- ÄLÄ käytä laitetta muuhun kuin sen käyttötarkoitukseen.
- ÄLÄ käytä ulkotiloissa.
- Jos tarvitset neuvoja tähän tuotteeseen liittyen, ota yhteyttä Sharp Help Line -palveluun
- Pidä laitetta vain oikeista kahvoista ja käytä lämpösuojaimia, kuten kattilakäsineitä tai patalappuja.
- Lue kaikki nämä ohjeet, jotta olet perehtynyt tämän ilmafriteerauskeittimen toimintaan. ÄLÄ koske kuumiin pintoihin, käytä mahdollisuuksien mukaan kahvoja tai hallintalaitteita (riippuu mallista).
- Muiden lisävarusteiden käyttöä ei suositella, koska se voi aiheuttaa vaaran tai vamman.
- Tämä laite on tarkoitettu VAIN KOTITALOUSKÄYTTÖÖN.
- Jotta sisäästia ei putoaisi maahan, aseta sisäästia vakaalle alustalle ennen ilmakypsennyskorin nostamista.
- Varmista käytön aikana, että kahva osoittaa itseesi päin.
- VAROITUS: Merkki  tarkoittaa, että LAITTEEN PINNAT OVAT KUUMIA KÄYTTÄESSÄ TAI KÄYTÖN JÄLKEEN. ÄLÄ kosketa kuumia pintoja.
- ÄLÄ peitä ilmanottoaukkoa tai ilmanpoistoaukkoa laitteen ollessa toiminnassa. Se estää tasaisen kypsennyksen ja voi vahingoittaa laitetta tai aiheuttaa sen ylikuumenemisen.
- ÄLÄ koske lisävarusteisiin kypsennyksen aikana tai välittömästi sen jälkeen.
- On noudatettava äärimmäistä varovaisuutta, kun laitteessa on kuumaa ruokaa. Vääränlainen käyttö voi aiheuttaa henkilövahinkoja.
- Jätä laite käytön jälkeen paikalleen, jotta se ehtii jäähtyä riittävästi.
- Anna ilmafriteerauskeittimesi jäähtyä ennen puhdistamista.

- 
- VAROITUS: Tämä ilmafriteerauskeitin kuumenee käytön aikana ja joillakin pinnoilla voi muodostua korkeita lämpötiloja. Ihminen havaitsee kuumaa lämpöä, joten tätä laitetta on käytettävä varoen.
  - Käytä suojäkäsineitä, kun kosketat kuumia pintoja tai kuumailmapaistokoria, sisäastiaa ja ruokaa.
  - Kun käytät tätä laitetta, varaa riittävästi tilaa yläpuolelta ja kaikilta sivuilta ilmankiertoa varten. Varmista AINA, että sisäastia on kunnolla suljettu ennen käyttöä.
  - ÄLÄ anna virtajohdon roikkua työtason reunan yli tai koskettaa kuumia pintoja.
  - ÄLÄ käytä laitetta, jos verkkojohto tai pistoke on vahingoittunut millään tavalla tai jos laitteessa on toimintahäiriöitä tai se on vahingoittunut muulla tavoin.
  - ÄLÄ vaihda tai muuta verkkokaapelia tai pistoketta.
  - ÄLÄ käytä jatkojohtoa.
  - Varmista, että pistorasiaan/kytkimeen pääsee käsiksi, kun ilmafriteerauskeitin on käytössä.
  - Tätä ilmafriteerauskeitintä ei ole tarkoitettu käytettäväksi ulkoisen ajastimen tai erillisen kauko-ohjauksjärjestelmän avulla.
  - Irrota laite verkkovirrasta, kun sitä ei käytetä tai ennen puhdistusta.
  - Kun irrotat verkkopistokkeen verkkovirrasta, pidä aina kiinni pistokkeesta äläkä koskaan vedä johtoa.
  - Kun olet lopettanut ilmafriteerauskeittimen käytön, palaa valmiustilaan painamalla STOP/CANCEL-painiketta ja irrota sitten pistoke verkkovirrasta.
  - Sähköiskun varalta, ÄLÄ upota ilmafriteerauskeitintä veteen tai muihin nesteisiin.
  - ÄLÄ peitä mitään osaa ilmafriteerauskeittimestä sen ollessa toiminnassa, sillä se aiheuttaa sen ylikuumentumisen.
  - ÄLÄ aseta ilmafriteerauskeitintä kuumille pinnoille, kuumien kaasu-/sähköpoltinten läheisyyteen tai kuumennettuun uuniin.

- Kun käytät ilmafriteerauskeitintä, pidä kaikilla sivuilla vähintään 100 mm tilaa, jotta ilma pääsee kiertämään riittävästi.

SÄILYTÄ NÄMÄ OHJEET TURVALLISESSA PAIKASSA MYÖHEMPÄÄ KÄYTTÖÄ VARTEN.



## TEKNISET TIEDOT

Mallinimi:	GS404A
Ilmafriteerauskeittimen teho (W)	1300
Ilmafriteerauskeittimen lämpötilatasot (Celsius)	80 °C:sta 200 °C:een
8 Automaattista Ohjelmaa	Ranskalaiset, Naudanliha, Vihannekset, Pieni kana, Pekoni, Kala, Peruna, Pizza
2 Toimintoa	Esilämmitys, Pakasteesta kypsennys
Tilavuus (litraa)	4,0
SÄÄTÖPANEELI	Digitaalinen, jossa kiertosäädin
Paistokorin Pinnoite	Tarttumaton
Paistokorin koko (halkaisija x korkeus mm:nä)	Ø190 x 50
Sisäinen Ruukkupinnoite	Tarttumaton
Sisäastian koko (halkaisija x korkeus mm:nä)	200 x 120
Verkkojohdon Pituus (mm)	900
Melutaso (dB)	55 - 62
Virrankulutus (W)	1300
Energiavaatimukset	220-240 V 50 Hz
Virrankulutus Valmiustilassa (W)	<0.5
Koko (L x K x S mm)	261 x 338 x 327
Paino (kg)	4,5

Tämä tuote on Ison-Britannian ja EU:n asiaankuuluvien säännösten ja standardien mukainen.

OSANA JATKUVAN KEHITTÄMISEN PERIAATETAMME PIDÄTÄMME OIKEUDEN MUUTTAA LAITTEEN MUOTOILUA ILMAN ERILLISTÄ ILMOITUSTA.

# ILMAFRITEERAUSKEITIN JA TARVIKKEET

**Tutustu seuraaviin ilmafriteerauskeittimen toimintoihin ja lisävarusteisiin ennen ensimmäistä käyttökertaa:**

**Sisäästia:** Aseta paistokori sisäästiaan ja laita sitten sisäästia ilmafriteerauskeittimeen.

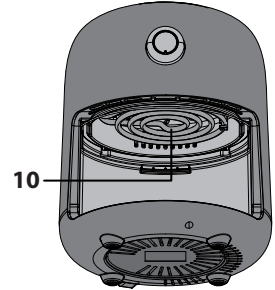
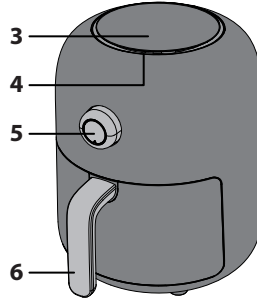
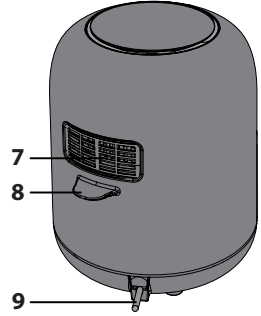
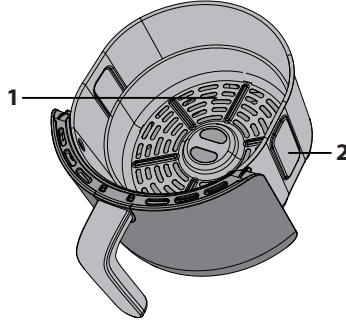
**Paistokori:** Laita ruoka paistokoriin ja laita sitten paistokori sisäästiaan kypsennystä varten.

**HUOMAA:** Jotta sisäästia ei putoaisi maahan, aseta sisäästia vakaalle alustalle ennen paistokorin nostamista ulos.

**Ilmanpoistoaukko:** Poistoaukosta tulee kuumaa höyryä käytön aikana (tämä on normaalia). Pidä kätesi ja kasvossi poissa ilmanpoistoaukosta kypsennyksen aikana palovammojen estämiseksi.

**Kahva:** Tätä käytetään sisäästian ja paistokorin siirtämiseen ilmafriteerauskeittimeen ja siitä pois.

1. Ilmapaistokori
2. Sisäästia
3. SÄÄTÖPANEELI
4. Ilmanotto
5. Valintakiekko
6. Paistokorin Kahva
7. Poistoilmaventtiili
8. Pitokahva
9. Verkkojohto
10. Lämmityselementti



## ILMAVIRRRAN SUUNTA

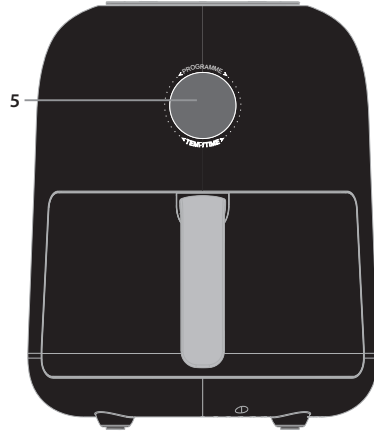
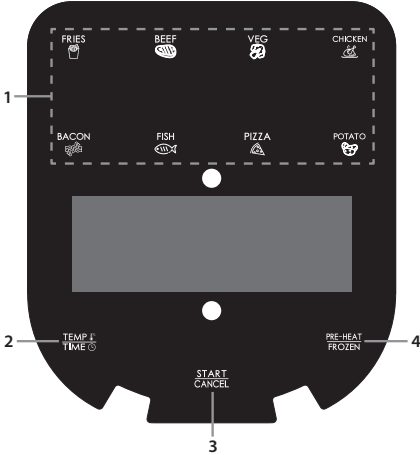
Kypsennyksen aikana elementistä tuleva kuuma ilma liikkuu alla olevan kuvan mukaisesti. Näin varmistetaan, että ruoka kypsennetään tasaisesti asetetussa lämpötilassa ja asetetussa ajassa. Älä käytä mitään materiaaleja, kuten metallifoliota, jotka voivat estää ilmavirtaa tai täyttää paistokoria liikaa.





## SÄÄTÖPANEELI

- 1. Auto Cook -painikkeet** – Automaattiset kypsennysohjelmat, valitse 8 vaihtoehdosta.
- Lämpötila/aika** – Tällä painikkeella voit säätää lämpötilaa ja aikaa manuaalisesti.
- Start/Cancel** – Käynnistä ilmafriteerauskeittimen toiminta tai peruuta/keskeytä toiminta.
- Pre-Heat/Frozen** – Ilmafriteerauskeittimen esilämmitys oikeaan kypsennyslämpötilaan tai pakasteesta kypsennys.
- Valitsinohjaus** – Käytetään ajan ja lämpötilan säätämiseen.



## ENNEN ILMAFRITEERAUSKEITTIMEN KÄYTTÖÄ

Ennen ensimmäistä käyttökertaa suositellaan, että kun olet purkanut pakkauksen kokonaan ja poistanut kaikki pakkaukset, sisäastia ja paistokori puhdistetaan kuumassa saippuvedessä tai astianpesukoneessa. Kuivaa sitten kaikki tarvikkeet huolellisesti ja asenna ne uudelleen ilmafriteerauskeittimeen. Pyyhi ulkorunko ja sisäosat kostealla liinalla ja kuivaa ennen käyttöä.

Kytke virta verkkovirtaan ja aseta laite paistamaan ranskalaisia (älä laita mitään ruokaa laitteeseen). Tämä käynnistää laitteen 180 °C:n lämpötilaan 23 minuutiksi, jolloin valmistuksen aikana lämmityselementtiin mahdollisesti tarttuneet jäämät haihtuvat.

On suositeltavaa lukea nämä ohjeet kokonaan ennen käyttöä.

# KÄYTTÖOHJEET

**Ilmafriteerauskeittimessä on useita toimintatiloja:**

**Automaattinen kypsennys** – valitse yksi 8 esiohjelmoidusta kypsennysvaihtoehdosta.

**Cook from Frozen** – Kypsennä pakasteesta (vain vihannekset, pizza ja ranskalaiset).

**Pre-Heat Esilämmitys** – Varmista, että Air Fryer -ilmafriteerauskeitin on oikeassa lämpötilassa ennen kypsennystä.

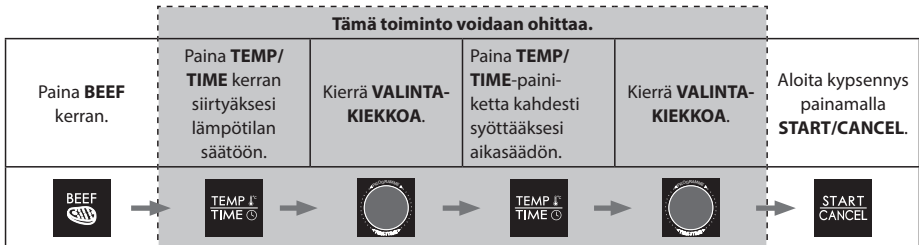
## Ruoanlaittoa koskevat huomautukset

- Ruoan määrä ei saisi täyttää enempää kuin 4/5 ilmafriteerauskorin kokonaismäärästä.
- Kypsennyslämpötilaa ja -aikaa voidaan säätää kypsennyksen aikana.
- Jos haluat keskeyttää kypsennyksen, vedä sisäastia ulos laitteesta; kun se työnnetään takaisin sisään, laite käynnistyy automaattisesti.
- Voit peruuttaa kypsennyksen painamalla **“START/CANCEL”**-painiketta kahdesti.
- Joitakin ruokia on sekoitettava/ravisteltava kypsennyksen aikana: Vedä sisäastia ulos laitteesta, sekoita/ravista tarvittaessa ja palauta sitten sisäastia takaisin Air Fryeriin; Air Fryer käynnistyy automaattisesti uudelleen.
- Varmista, että ruoka on kypsynyt oikein. Jos ruoka on huonosti kypsynyt, aseta se takaisin ilmafriteerauskeittimeen ja kypsennä kauemmin.
- Jotta sisäastia ei putoaisi maahan, aseta sisäastia vakaalle ja kuumuutta kestäväälle alustalle ennen korin nostamista ulos.
- Kypsennä vain ruokaa ilmafriteerauskeittimessä.
- ÄLÄ käytä uppoaistamiseen.

## Automaattinen ruoanvalmistus

Helppoutta ja mukavuutta varten on 8 automaattista kypsennysohjelmaa. Niihin pääsee helposti käsiksi ohjauspaneelin omilla painikkeilla.

Alla olevassa esimerkissä kypsennetään naudanlihaa. Lämpötilaa tai aikaa ei tarvitse säätää, ellei halua ruoan kypsytävän enemmän tai vähemmän.



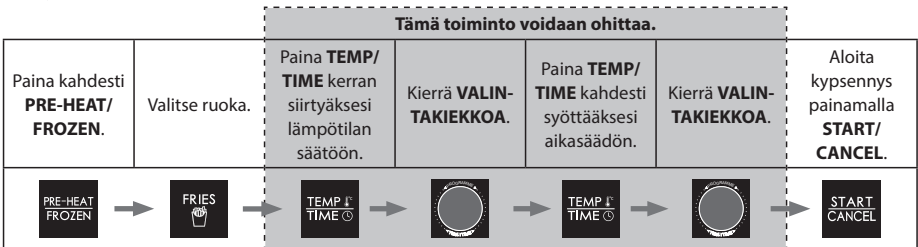
1. Aseta kypsennettävä ruoka tasaisesti paistokoriin.
2. Aseta paistokori sisempään astiaan. Aseta sisäastia ilmafriteerauskeittimeen.
3. Kytke ilmafriteerauskeitin verkkovirtaan.
4. Valitse haluamasi ruoka painamalla ohjauspaneelin automaattikypsennyspainiketta. Oletuslämpötila ja -aika vilkkuvat LED-näytössä.
  - a. Paina tarvittaessa kerran **“TEMP/TIME”**-painiketta ja aseta sitten haluttu kypsennyslämpötila kääntämällä **VALINTAKIEKKOA**.
  - b. Paina tarvittaessa kerran **“TEMP/TIME”**-painiketta ja aseta sitten haluttu kypsennysaika kääntämällä **VALINTAKIEKKOA**.
5. Paina **“START/CANCEL”** -painiketta käynnistääksesi kypsennyksen; aika laskee alaspäin.
6. Kun kypsennys on valmis, ilmafriteerauskeitin antaa äänen, ja laite palaa valmiustilaan.
7. Vedä sisäastia ulos varovasti ja ota ruoka pois ilmafriteerauskorista välittömästi, tai ilmafriteeraus koneeseen jäävä lämpö jatkaa ruoan kypsymistä ja kuivaa sen.

**Huomautus:** Jos muutat automaattisen kypsennyksen ruokien kypsennysaikaa, enimmäiskypsennysaikaa on mahdollista lisätä vain 30 %. Näin vältetään ruoan mahdollinen palaminen.

Ruoka	Paino	Ruuan alku- lämpötila	Kypsen- nysaika	Enimmäisi- säaika	Käännä ympäri	Pakasteesta kypsen- nysaika	Lämpötila	Kommenteja
Ranskalaiset	200 g - 500 g	Huoneenläm- pötila	15-20	23	Kyllä	26	180	Do not overload the pot.
Naudanliha	150 g - 500 g		8-12	16	Kyllä	-	200	Voidaan enintään kypsentää 270 g naudanolihapihvi
Kasvis	100 g - 400 g		10	13	Kyllä	14	190	Cut up vegetables into pieces 2 x 3cm.
Kana	800 g - 1000 g		30	39	Kyllä	-	190	Kokonainen kana tai isot kananpalat
Pekoni	4-6 kylkiviipaleetta		9	12	-	-	180	Asettele kylkiviipaleet tasaisesti paistokoriin
Kala	100 g - 500 g		12	16	Kyllä	-	200	Place fish pieces directly onto the base of the frying basket.
Peruna	250 g kumpikin		40	52	Kyllä	-	200	Laita enintään 3 perunaa, kukin korkeintaan 250 g, paistokoriin
Pizza	100 g - 400 g		13	17	-	18	160	Place whole or pizza pieces directly in the frying basket.

## Pakasteesta kypsennys

Kun kypsennät pakasteesta, noudata automaattisen valmistuksen ohjeita, mutta paina ensin painiketta **"FROZEN"**.



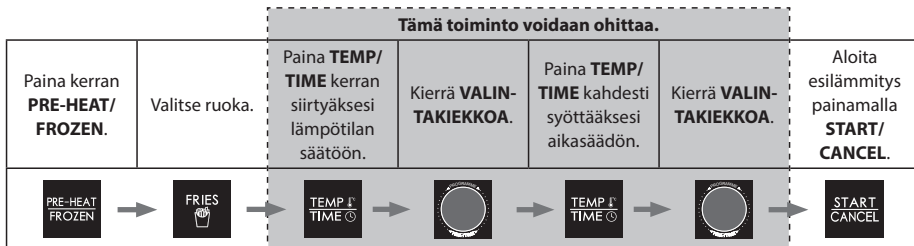
- Aseta kypsennettävä ruoka tasaisesti paistokoriin.
- Aseta paistokori sisempään astiaan. Aseta sisäastia ilmafriteerauskeittimeen.
- Kytke ilmafriteerauskeitin verkkovirtaan.
- Paina **"PRE-HEAT/FROZEN"** -painiketta kahdesti.
- Valitse haluamasi toiminto painamalla ohjauspaneelin toimintopainiketta. Oletuslämpötila ja -aika vilkkuvat LED-näytössä.
  - Paina tarvittaessa kerran **"TEMP/TIME"**-painiketta ja aseta sitten haluttu kypsennyslämpötila kääntämällä **VALINTAKIEKKOA**.
  - Paina tarvittaessa kerran **"TEMP/TIME"**-painiketta ja aseta sitten haluttu kypsennysaika kääntämällä **VALINTAKIEKKOA**.
- Paina **"START/CANCEL"** -painiketta käynnistääksesi kypsennyksen; aika laskee alaspäin.
- Kun kypsennys on valmis, laite antaa äänen ja palaa valmiustilaan.
- Paina avauspainiketta ja vedä sisempi kattilankahva varovasti ulos ja ota ruoka ulos.

Pakasteesta valmistaminen on mahdollista vain **RANSKALAISILLE, VIHANNEKSILLE** ja **PIZZALLE**.

Muiden pakastettujen ruokien kypsennystä varten katso ohjekirjan kypsennysohjeet.

## Esilämmitys

Varmistaaksesi, että Air Fryer -ilmafriteerauskeitin on oikeassa lämpötilassa ruoan kypsentämistä varten, laitteessa on esilämmitystoiminto, jota voidaan käyttää ennen automaattista kypsennystä, manuaalista kypsennystä ja kypsennystä pakasteesta -toimintoja. Paina esilämmityspainiketta kerran ennen jonkin muun toiminnon valitsemista.



1. Aseta paistokori sisempään astiaan. Aseta sisäastia ilmafriteerauskeittimeen.
2. Kytke ilmafriteerauskeitin verkkovirtaan.
3. Paina kerran **PRE-HEAT/FROZEN-painiketta**.
4. Valitse haluamasi ruoka painamalla ohjauspaneelin vastaavaa automaattisen kypsennyksen painiketta. Oletuslämpötila ja -aika vilkkuvat LED-näytössä.
  - a. Paina tarvittaessa kerran **TEMP/TIME**-painiketta ja aseta sitten haluttu tapa kiertämällä **VALINTAKIEKKOA**.
  - b. Paina tarvittaessa kahdesti **TEMP/TIME**-painiketta ja aseta sitten haluttu kypsennysaika kääntämällä **VALINTAKIEKKOA**.
5. Paina **START-/CANCEL**-painiketta.
6. Kun laite on saavuttanut oikean esilämmityslämpötilan, se antaa äänen.
7. Ota sisäastia pois ja aseta paistettavat ruoat tasaisesti paistokoriin.
8. Palauta sisäastia/paistokori takaisin ilmafriteerauskeittimeen.
9. Paistinpannu käynnistyy automaattisesti ja aika laskee alaspäin.
10. Kun kypsennys on valmis, laite antaa äänen ja palaa valmiustilaan.
11. Vedä sisäastia ulos ja muista käsitellä ruokaa varovasti ja ota se heti pois ilmakäristyskorista, sillä muuten ilmakäristimeen jäävä lämpö jatkaa ruoan kypsymistä ja kuivumista.

## SÄÄTÖKIEKKO

Air Fryerin säätökiekkossa on useita toimintoja, joista osa on päällekkäisiä säätöpaneelin painikkeiden kanssa. Kun Air Fryer kytketään verkkovirtaan, se siirtyy toimintojen asetustilaan ja näyttää ensimmäisen automaattisen ohjelmatilan lämpötilan ja ajan.

Valitse haluamasi automaattinen valikko kääntämällä säädintä ja vahvista painamalla säätimen keskiosaa, kun valikon nimi vilkkuu. Jos näytössä näkyvä lämpötila ja kellonaika ovat sopivat, paina **KÄYNNISTÄ/PERUUTA**-painiketta yläsäätöpaneelissa aloittaaksesi kypsennyksen.

Voit tarvittaessa säätää valitun valikon kypsennyslämpötilaa ja -aikaa, ennen kuin aloitat kypsennyksen painamalla **KÄYNNISTÄ/PERUUTA**-painiketta.

1. Paina säädintä, niin lämpötilanäyttö alkaa vilkkua.
2. Käännä säädintä asettaaksesi haluamasi kypsennyslämpötilan.
3. Paina säädintä vahvistaaksesi lämpötila-asetuksen. Ajan numerot vilkkuvat nyt.
4. Käännä säädintä asettaaksesi haluamasi kypsennysajan.
5. Paina painikkeen keskiosaa käynnistäaksesi kypsennyksen.

Paina painikkeen keskiosaa peruuttaaksesi kypsennyksen.

## HUOLTO KÄYTÖN AIKANA

Tämä laite vaatii käytön aikana vain vähän huoltoa. Puhdista Air Fryer jokaisen käyttökerran jälkeen pidentääksesi sen käyttöikää.

Tämä Air Fryer-ilmafriteerauskeitin ei sisällä käyttäjän huollettavia osia. Älä yritä korjata sitä itse. Jos vika ilmenee, ota yhteyttä SHARPin puhelinpalveluun käyttämällä tämän käyttöoppaan alussa olevia tietoja.

## PUHDISTUSOHJEET

**VAROITUS:** Sähköiskulta suojautuaksesi, ÄLÄ UPOTA ILMAFRITEERAUSKEITINTÄ VETEEN TAI MUUHUN NESTEeseen. Ilmafriteerauskeitin on puhdistettava säännöllisesti parhaan suorituskyvyn ja pitkän käyttöiän takaamiseksi.

Säännöllinen puhdistus vähentää myös tulipalon vaaraa. Puhdista noudattamalla alla olevia ohjeita:

1. Irrota verkkopistoke pistorasiasta. Anna Air Fryerin jäähtyä.
2. Puhdista ilmakypsennyskori ja sisäastia kostealla, saippuaisella liinalla. Varmista, että käytät vain mietoa saippuavettä. Jos korin tai sisäastian tahrat ovat liian vaikeita puhdistaa, anna niiden liota lämpimässä vedessä noin 10 minuuttia.
3. Puhdista lämmityselementit kuivalla ja pehmeällä liinalla.
4. Pyyhi ilmafriteerauskeittimen ulkopinta pehmeällä, kostealla liinalla ja kuivaa se sitten.

**VAROITUS:** ÄLÄ KÄYTÄ HANKAAVIA PUHDISTUSAINEITA TAI MUUTA KARKEAA MATERIAALIA paistokorin ja sisäastian pinnalla. Varmista, että käytät vain mietoa saippuavettä. Hankaavat puhdistusaineet, hankausharjat ja kemialliset puhdistusaineet vahingoittavat tämän laitteen pinnoitetta.

Suosittelua puhdistusta lukuun ottamatta käyttäjän ei pitäisi tarvita muita huoltotoimenpiteitä.

Valtuutetun huoltoedustajan on suoritettava kaikki muut huollot.

## VARASTOINTI

Irrota laite pistorasiasta, anna sen jäähtyä ja puhdista ennen varastointia. Säilytä ilmafriteerauskeitin laatikossaan puhtaassa ja kuivassa paikassa. Älä koskaan säilytä laitetta sen ollessa kuuma tai vielä kytkettynä verkkovirtaan.

Älä koskaan kiedo johtoa tiukasti ilmafriteerauskeittimen ympärille. Älä paina johtoa siitä kohdalta, jossa se tulee laitteeseen, sillä se voi aiheuttaa johdon haurastumisen ja katkeamisen.

Jos ilmafriteerauskeitin varastoidaan pitkiä aikoja, varmista, että se on puhdas ja ettei siinä ole ruokahiukkasia.

Säilytä ilmafriteerauskeitin kuivassa paikassa, kuten pöydällä tai työtasolla tai kaapin hyllyllä.

# VIANMÄÄRITYS

Jos sinulla on ongelmia ilmafriteerauskeittimen kanssa, noudata alla olevia ohjeita.

Air Fryer -ilmafriteerauskeitin ei toimi	Laitetta ei ole kytketty verkkovirtaan tai kytketty päälle.	Varmista, että verkkopistoke on asetettu pistorasiaan ja että se on kytketty päälle.
	Et ole asettanut aikaa tai lämpötilaa.	Aseta aika ja lämpötila ja paina sitten <b>"START/CANCEL"</b> .
	Sisästä ei ole lukittunut kunnolla laitteeseen	Työnnä sisästä ilmafriteerauskeittimeen niin, että se "naksahtaa".
Air Fryer -ilmafriteerauskeittimellä paistetut ainekset eivät ole valmiita.	Paistokorissa on liikaa ruokaa.	Laita pienempiä eriä aineksia paistokoriin. Pienemmät erät paistuvat tasaisemmin.
	Asetettu lämpötila on liian alhainen.	Säädä lämpötila haluttuun lämpötila-asetukseen.
	Kypsennysaika on liian lyhyt.	Säädä ajastin tarvittavan kypsennysajan mukaisesti.
Paistetut välipalat eivät ole rapeita, kun ne tulevat ilmafriteerauskeittimestä.	Käytit perinteisessä friteeraus koneessa valmistettavaksi tarkoitettua välipalaa.	Käytä uunissa valmistettavia välipaloja tai sivele välipalojen päälle kevyesti öljyä, jotta lopputulos olisi rapeampi.
Sisästä ja paistokoria on vaikeaa tai mahdotonta liu'uttaa kunnolla laitteeseen.	Paistokorissa on liikaa ruokaa.	Älä täytä paistokoria liikaa.
	Paistokoria ei ole asetettu kunnolla sisästäiaan	Työnnä paistokori alaspäin sisästäiaan, kunnes kuulet pienen naksahduksen.
Laitteesta tulee valkoista savua.	Valmistat rasvaisia ainesosia.	Kun paistat rasvaisia aineksia Air Fryer -ilmafriteerauskeittimessä, pannulle valuu paljon öljyä. Tämä öljy voi aiheuttaa valkoista savua ja pannu voi kuumentua tavallista enemmän. Tämä ei vaikuta laitteeseen tai lopputulokseen.
	Pannussa on edelleen rasvajäämiä edellisestä käytöstä.	Valkoinen savu johtuu rasvan kuumentumisesta sisäkattilassa; varmista, että puhdistat paistokorin ja sisäkattilan huolellisesti jokaisen käyttökerran jälkeen.
Tuoreet ranskalaiset paistuvat epätasaisesti Air Fryer -ilmafriteerauskeittimessä.	Et käyttänyt oikeanlaista perunaa.	Käytä tuoreita perunoita ja varmista, että ne pysyvät kiinteinä paistamisen aikana.
	Et huuhtonut perunatikkuja kunnolla ennen niiden paistamista.	Huuhtele perunatikut huolellisesti, jotta tärkkelys poistuu tikkujen ulkopuolelta.
Tuoreet ranskalaiset eivät ole rapeita, kun ne tulevat ilmafriteerauskeittimestä.	Ranskalaisten rapeus riippuu käytetyn öljyn ja veden määrästä/laadusta ranskanperunoissa.	Varmista, että kuivatat perunatikut kunnolla ennen öljyn lisäämistä.
		Leikkaa perunat ohuemmiksi tikuiksi, jotta lopputulos olisi rapeampi.
		Lisää hieman enemmän öljyä, jos haluat rapeamman lopputuloksen.

Jos sinulla on edelleen ongelmia, ota yhteyttä SHARP-puhelinkeskukseen tämän käyttöoppaan alussa olevilla tiedoilla.



### Attention :

Votre produit est marqué avec ce symbole.

Cela signifie que les produits électriques et électroniques usagés ne doivent pas être mélangés avec les déchets ménagers généraux. Un système de collecte séparé est prévu pour ces produits.



[www.sharpconsumer.com/contact/](http://www.sharpconsumer.com/contact/)



[www.sharpconsumer.com/support/](http://www.sharpconsumer.com/support/)



[www.sharpconsumer.com/documents-of-conformity/](http://www.sharpconsumer.com/documents-of-conformity/)

## A. Informations sur la mise au rebut à l'intention des utilisateurs privés (ménages)

### 1. Au sein de l'Union européenne

Attention : si vous souhaitez mettre cet appareil au rebut, ne le jetez pas dans une poubelle ordinaire !

Les appareils électriques et électroniques usagés doivent être traités séparément et conformément aux lois en vigueur en matière de traitement, de récupération et de recyclage adéquats de ces appareils.

Suite à la mise en œuvre de ces dispositions dans les États membres, les ménages résidant au sein de l'Union européenne peuvent désormais rapporter gratuitement\* leurs appareils électriques et électroniques usagés sur des sites de collecte désignés.

Dans certains pays\*, votre détaillant reprendra également gratuitement votre ancien produit si vous achetez un produit neuf similaire.

\*) Veuillez contacter votre administration locale pour plus de renseignements.

Si vos appareils électriques ou électroniques usagés sont équipés de piles ou d'accumulateurs, veuillez les éliminer séparément, conformément aux prescriptions locales. En éliminant correctement ce produit, vous contribuerez à garantir que les déchets subissent le traitement, la valorisation et le recyclage nécessaires et à prévenir ainsi les effets négatifs potentiels sur l'environnement et la santé humaine qui pourraient autrement résulter d'une manipulation inappropriée des déchets.

### 2. Pays hors de l'Union européenne

Si vous souhaitez mettre ce produit au rebut, veuillez contacter votre administration locale qui vous renseignera sur la méthode d'élimination correcte de cet appareil.

Suisse : les équipements électriques ou électroniques usagés peuvent être ramenés gratuitement au détaillant, même si vous n'achetez pas un nouvel appareil. Pour obtenir la liste des autres sites de collecte, veuillez vous reporter à la page d'accueil du site [www.swico.ch](http://www.swico.ch) ou [www.sens.ch](http://www.sens.ch).

## B. Informations sur la mise au rebut à l'intention des entreprises

### 1. Au sein de l'Union européenne

Si ce produit est utilisé dans le cadre des activités de votre entreprise et que vous souhaitez le mettre au rebut :

Veuillez contacter votre revendeur SHARP qui vous informera des conditions de reprise du produit. Des frais de reprise et de recyclage pourront vous être facturés. Les produits de petite taille (et en petites quantités) pourront être repris par vos organisations de collecte locales.

Espagne : veuillez contacter l'organisation de collecte existante ou votre administration locale concernant les modalités de reprise de vos produits usagés.

### 2. Pays hors de l'Union européenne

Si vous souhaitez mettre ce produit au rebut, veuillez contacter votre administration locale qui vous renseignera sur la méthode d'élimination correcte de cet appareil.

---

# TABLE DES MATIÈRES

INSTRUCTIONS DE SÉCURITÉ .....	3
SPÉCIFICATIONS.....	7
FRITEUSE À AIR ET ACCESSOIRES .....	8
PANNEAU DE COMMANDE.....	9
AVANT D'UTILISER VOTRE FRITEUSE .....	9
INSTRUCTIONS DE FONCTIONNEMENT .....	10
Cuisson automatique.....	10
Cuisson à partir de surgelés.....	11
Préchauffage .....	12
BOUTON ROTATIF .....	12
ENTRETIEN EN COURS D'UTILISATION .....	13
INSTRUCTIONS DE NETTOYAGE .....	13
STOCKAGE .....	13
DÉPANNAGE.....	14




## INSTRUCTIONS DE SÉCURITÉ

**Lorsque vous utilisez un appareil électrique, suivez toujours ces précautions fondamentales de sécurité, dont les suivantes :**

- Les enfants doivent être supervisés pour s'assurer qu'ils ne jouent PAS avec l'appareil.
- Cet appareil n'est pas conçu pour être utilisé par des personnes (y compris des enfants) ayant des capacités physiques, sensorielles ou mentales réduites ou manquant d'expérience et de connaissances, sauf s'ils sont supervisés ou si des instructions concernant l'utilisation de l'appareil leur ont été données par une personne responsable de leur sécurité.
- Nettoyez le panier de la friteuse et le pot intérieur à l'aide d'un chiffon humide et savonneux. Veillez à n'utiliser que de l'eau douce et savonneuse.
- NE PAS nettoyer avec des tampons à récurer métalliques. Des morceaux pourraient se détacher du tampon et toucher des pièces électriques, ce qui créerait un risque d'électrocution. La surface pourrait également être endommagée.
- Séchez l'appareil et tous les assemblages avec un chiffon doux avant de les ranger ou de les utiliser.
- Si le panier ou le pot intérieur présentent des taches trop difficiles à nettoyer, laissez-les tremper dans de l'eau tiède pendant environ 10 minutes avant de les nettoyer.
- Le panier à friture et le pot intérieur peuvent être nettoyés au lave-vaisselle.
- NE PAS laisser déborder lors de la cuisson. Un remplissage excessif peut entraîner des blessures ou des dommages matériels, ou nuire à la sécurité d'utilisation de l'appareil.
- NE PAS utiliser d'huile ou tout autre liquide dans le pot intérieur.
- Ne PAS utiliser cet appareil pour la friture.
- Veiller à ce que les aliments soient correctement préparés et

---

cuits afin d'éviter tout danger pour la santé.

- Évitez que les aliments entrent en contact avec les éléments chauffants.
- TOUJOURS s'assurer que l'appareil est correctement assemblé avant de l'utiliser.
- NE PAS placer les matériaux suivants dans la friteuse : carton, plastique, papier ou tout autre matériau similaire.
- NE PAS stocker de matériel, en dehors des accessoires fournis, dans la friteuse lorsqu'elle n'est pas utilisée.
- NE PAS utiliser l'appareil à des fins autres que celles pour lesquelles il a été prévu.
- NE PAS utiliser pas l'appareil à l'extérieur.
- Si vous avez besoin de conseils concernant ce produit, contactez votre service d'assistance téléphonique Sharp
- Ne tenez l'appareil que par les poignées appropriées et utilisez des mesures de protection contre la chaleur, comme le port de gants ou de maniques.
- Lisez toutes ces instructions afin de vous familiariser avec le fonctionnement de cette friteuse. Ne touchez pas les surfaces chaudes. Si possible, utilisez les poignées ou les commandes (selon le modèle).
- L'utilisation d'accessoires n'est pas recommandée par le fabricant, car elle peut entraîner des risques ou des blessures.
- Cet appareil est **UNIQUEMENT DESTINÉ À UN USAGE MÉNAGER**.
- Pour éviter que le pot intérieur tombe sur le sol, placez-le sur une surface stable avant de soulever le panier à friture.
- Lors de l'utilisation, veillez à ce que la poignée soit orientée vers vous.
- **ATTENTION** : La marque  signifie que les surfaces de l'appareil sont chaudes pendant ou après son utilisation. NE PAS toucher les surfaces chaudes.
- NE PAS couvrir les orifices d'entrée et de sortie d'air lorsque l'appareil est en marche. Cela empêcherait une cuisson uniforme et risquerait d'endommager l'appareil ou de le faire

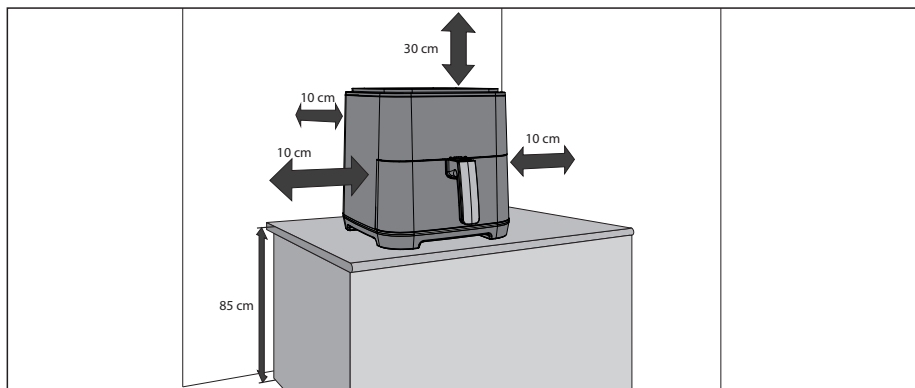
surchauffer.

- NE PAS toucher les accessoires pendant ou immédiatement après la cuisson.
- Il convient de faire preuve de grande prudence lorsque l'appareil contient des aliments chauds. Une utilisation incorrecte peut entraîner des blessures.
- Laissez l'appareil après utilisation pour qu'il ait le temps de refroidir.
- Laissez votre friteuse refroidir avant de la nettoyer.
- **AVERTISSEMENT** : La friteuse chauffe pendant l'utilisation et certaines surfaces peuvent atteindre des températures élevées. Comme les gens perçoivent les températures, cet appareil doit être utilisé avec précaution.
- Portez des gants de protection isolés lorsque vous touchez des surfaces chaudes ou le panier de friture à air chaud, le pot intérieur et les aliments.
- Lorsque vous utilisez cet appareil, prévoyez un espace suffisant au-dessus et sur tous les côtés pour la circulation de l'air. Assurez-vous TOUJOURS que le pot intérieur est correctement fermé avant d'utiliser l'appareil.
- NE PAS laisser le câble d'alimentation pendre sur le bord du plan de travail ou toucher des surfaces chaudes.
- NE PAS utiliser l'appareil si le câble d'alimentation ou la fiche est endommagé de quelque manière que ce soit, ou si l'appareil fonctionne mal ou a été endommagé de quelque manière que ce soit.
- NE PAS remplacer ou modifier le câble d'alimentation ou la prise.
- NE PAS utiliser de rallonge.
- Veillez à ce que la prise/l'interrupteur d'alimentation soit accessible lorsque la friteuse est utilisée.
- Cette friteuse à air n'est pas conçue pour être utilisée via un minuteur ou un système de télécommande externe.
- Débranchez l'appareil lorsqu'il n'est pas utilisé ou avant de le nettoyer.

- 
- Lorsque vous débranchez la fiche d'alimentation du secteur, tenez toujours la fiche, ne tirez jamais sur le cordon.
  - Lorsque vous n'utilisez plus la friteuse à air, appuyez sur le bouton ARRÊTER/ANNULER pour revenir en mode veille, puis débranchez la prise.
  - Pour éviter tout risque d'électrocution, NE PAS plonger la friteuse dans de l'eau ou d'autres liquides.
  - Ne couvrez aucune partie de la friteuse pendant qu'elle fonctionne, car cela entraînerait une surchauffe.
  - NE PAS PLACER la friteuse sur des surfaces chaudes, à proximité de brûleurs électriques/à gaz chauds ou dans un four chauffé.

- Lorsque vous utilisez la friteuse, laissez un espace d'au moins 100 mm de chaque côté pour permettre une bonne circulation de l'air.

CONSERVEZ CES INSTRUCTIONS DANS UN ENDROIT SÛR POUR TOUTE RÉFÉRENCE ULTÉRIEURE



## SPÉCIFICATIONS

Nom du modèle	GS404A
Puissance de la friteuse sans huile (W)	1300
Niveaux de température des friteuses sans huile (Celsius)	80 °C à 200 °C
8 programmes automatiques	Frites, bœuf, légumes, petit poulet, bacon, poisson, pommes de terre, pizza
2 fonctions	Préchauffer, cuire à partir de produits congelés
Capacité (litres)	4,0
Panneau de commande	Numérique avec contrôle rotatif
Revêtement des paniers à friture	Antiadhésif
Taille du panier à frire (diamètre x hauteur en mm)	Ø190 x 50
Revêtement du pot intérieur	Antiadhésif
Dimensions du pot intérieur (diamètre x hauteur en mm)	200 x 120
Longueur du câble d'alimentation (mm)	900
Niveau de bruit (dB)	55 - 62
Consommation électrique (W)	1300
Alimentation requise	220-240 V, 50 Hz
Consommation électrique en mode veille (W)	<0.5
Dimensions (L x H x P en mm)	261 x 338 x 327
Poids (kg)	4,5

Ce produit est conforme aux réglementations et normes en vigueur au Royaume-Uni et dans l'UE.

LES SPÉCIFICATIONS PEUVENT ÊTRE CHANGÉES SANS PRÉAVIS LORS D'AMÉLIORATIONS APPORTÉES À L'APPAREIL.

# FRITEUSE À AIR ET ACCESSOIRES

**Familiarisez-vous avec les fonctions et les accessoires de la friteuse à air avant de l'utiliser pour la première fois :**

**Pot intérieur :** Placez le panier de friture sur le pot intérieur, puis mettez le pot intérieur dans la friteuse à air.

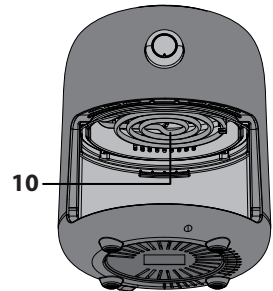
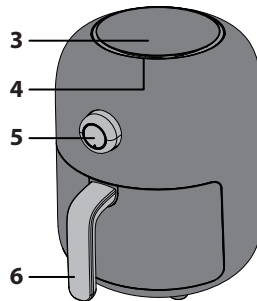
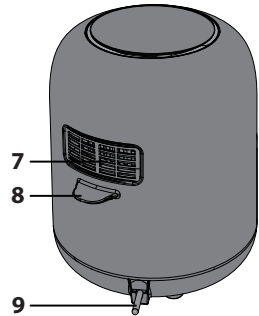
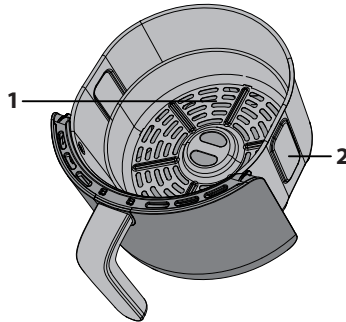
**Panier à friture :** Placez les aliments dans le panier à friture, puis mettez le panier à friture dans le pot intérieur pour la cuisson.

**REMARQUE :** Pour éviter que le pot intérieur tombe sur le sol, placez le pot intérieur sur une surface stable avant de soulever le panier à friture.

**Évent d'évacuation d'air :** De la vapeur chaude s'échappe de l'orifice d'évacuation pendant l'utilisation (c'est normal). Tenez vos mains et votre visage à l'écart de l'orifice d'évacuation d'air lorsque vous cuisinez, afin d'éviter les brûlures.

**Poignée :** Elle sert à déplacer le pot intérieur et le panier de friture dans et hors de la friteuse.

1. Panier de friture à air
2. Pot intérieur
3. Panneau de commande
4. Admission d'air
5. Bouton rotatif
6. Poignée du panier à frite
7. Évent d'évacuation d'air
8. Poignée de maintien
9. Cordon d'alimentation
10. Élément chauffant



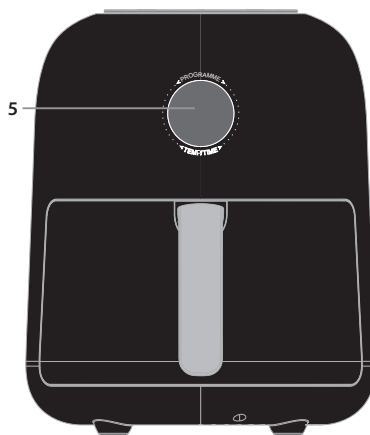
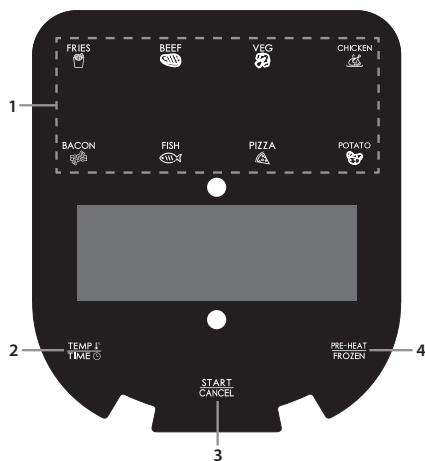
## DIRECTION DE CIRCULATION DE L'AIR

Lors de la cuisson, l'air chaud provenant de l'élément est déplacé comme le montre l'image ci-dessous. Cela permet de garantir une cuisson uniforme des aliments à la température et pendant la durée programmées. N'utilisez pas de matériaux tels que des feuilles métalliques qui pourraient obstruer cette circulation d'air ou surcharger le panier à friture.



## PANNEAU DE COMMANDE

- 1. Touches de cuisson automatique** - Programmes de cuisson automatique, à choisir parmi 8 options.
- 2. Température/Temps** - Cette touche permet de régler manuellement la température et le temps.
- 3. Démarrer/Annuler** - Démarrer le fonctionnement de la friteuse à air ou annuler/mettre en pause.
- 4. Préchauffer/Surgelés** - Pour préchauffer la friteuse à air à la bonne température de cuisson ou décongeler des aliments surgelés.
- 5. Bouton rotatif** - Permet de régler le temps et la température.



## AVANT D'UTILISER VOTRE FRITEUSE

Avant d'utiliser votre friteuse pour la première fois, il est recommandé, après avoir déballé et retiré tous les emballages, de nettoyer la cuve intérieure et le panier à friture à l'eau chaude savonneuse ou au lave-vaisselle. Séchez ensuite soigneusement tous les accessoires et remontez-les dans l'appareil. Essayez le corps extérieur et les parties internes avec un chiffon humide et séchez-les avant de les utiliser.

Branchez l'appareil sur le secteur et réglez-le sur la cuisson des frites (ne mettez aucun aliment dans l'appareil). L'appareil se met alors en marche à 180°C pendant 23 minutes, ce qui permet aux résidus qui ont pu adhérer à l'élément chauffant pendant la fabrication de se dissiper.

Il est conseillé de lire entièrement ces instructions avant l'utilisation.

# INSTRUCTIONS DE FONCTIONNEMENT

**Votre friteuse à air possède plusieurs modes de fonctionnement :**

**Cuisson automatique** - sélectionnez l'une des 8 options de cuisson préprogrammées.

**Cuire à partir d'aliments surgelés** - Cuissez à partir de produits surgelés (légumes, pizzas et frites uniquement).

**Préchauffage** - Assurez-vous que votre friteuse est à la bonne température avant de commencer la cuisson.

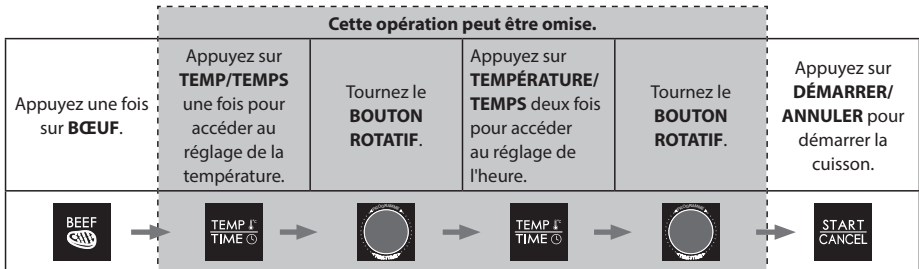
## Remarques sur la cuisson

- La quantité d'aliments ne doit pas dépasser les 4/5 du volume total du panier de friture à air.
- La température et le temps de cuisson peuvent être ajustés pendant la cuisson.
- Pour interrompre la cuisson, retirez le pot intérieur de l'appareil ; lorsque vous le remettez en place, l'appareil redémarre automatiquement.
- Pour annuler la cuisson, appuyez deux fois sur la touche « **DÉMARRER/ANNULER** ».
- Certains aliments devront être remués/agités pendant la cuisson : Sortez le pot intérieur de l'appareil, remuez si nécessaire, puis remplacez le pot intérieur dans l'Air Fryer ; l'Air Fryer redémarrera automatiquement.
- Assurez-vous que les aliments ont été cuits correctement. S'ils ne sont pas assez cuits, remettez-les dans la friteuse et laissez-les cuire plus longtemps.
- Pour éviter que le pot intérieur tombe sur le sol, placez-le sur une surface stable et résistante à la chaleur avant de retirer le panier.
- Faites seulement cuire des aliments dans cette friteuse à air.
- NE PAS utiliser pour la friture.

## Cuisson automatique

Pour plus de facilité et de commodité, il existe 8 programmes de cuisson automatiques. Ils sont facilement accessibles grâce aux boutons dédiés du panneau de commande.

Dans l'exemple ci-dessous, la viande de bœuf est en cours de cuisson. Il n'est pas nécessaire d'ajuster de la température ou du temps, sauf si vous souhaitez que vos aliments soient plus ou moins cuits.



1. Placer uniformément les aliments à cuire dans le panier à friture.
2. Placer le panier à friture dans le pot intérieur. Insérer le pot intérieur dans la friteuse.
3. Brancher la friteuse sur le secteur.
4. Sélectionner l'aliment souhaité en appuyant sur la touche de cuisson automatique du panneau de commande. La température et la durée par défaut clignotent sur l'écran DEL.
  - a. Si nécessaire, appuyez une fois sur la touche « **TEMPÉRATURE/TEMPS** », puis tournez le **BOUTON ROTATIF** pour régler la température de cuisson souhaitée.
  - b. Si nécessaire, appuyez une deux fois sur la touche « **TEMPÉRATURE/TEMPS** » deux fois, puis tournez le **BOUTON ROTATIF** pour régler le temps de cuisson souhaité.
5. Appuyez sur la touche **DÉMARRER/ANNULER** une fois pour démarrer la cuisson ; le temps est décompté.
6. Lorsque la cuisson est terminée, la friteuse émet un son et l'appareil revient en mode veille.
7. Sortez le pot intérieur avec précaution. Retirez immédiatement les aliments du panier de la friteuse, sinon la chaleur qui reste dans la friteuse continuera à cuire et à dessécher vos aliments.

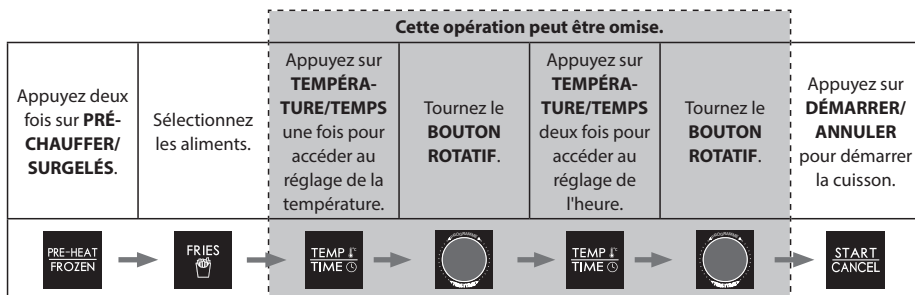
**Remarque :** si vous modifiez le temps de cuisson des aliments cuits automatiquement, vous ne pouvez augmenter le maximum que de 30 %, afin d'éviter de brûler les aliments.



Aliment	Poids	Température initiale des aliments	Durée de cuisson	Temps supplémentaire maximum	Retourner	Temps de cuisson d'aliments surgelés	Température	Commentaires
Frites	200 à 500 g	Température ambiante	15 à 20	23	Oui	26	180	Do not overload the pot.
Bœuf	150 g to 500 g		8 à 12	16	Oui	-	200	Vous pouvez cuire jusqu'à 270 g de steak de bœuf
Légumes	100 g to 400 g		10	13	Oui	14	190	Cut up vegetables into pieces 2 x 3cm.
Poulet	800 g to 1000 g		30	39	Oui	-	190	Poulet entier ou gros morceaux
Bacon	4 à 6 hamburgers		9	12	-	-	180	Répartir uniformément les tranches de bacon dans le panier à frire
Poisson	100 g to 500 g		12	16	Oui	-	200	Place fish pieces directly onto the base of the frying basket.
Pommes de terre	250 g chaque		40	52	Oui	-	200	Placer jusqu'à 3 pommes de terre de 250 g chacune dans le panier à frire
Pizza	100 g to 400 g		13	17	-	18	160	Place whole or pizza pieces directly in the frying basket.

## Cuisson à partir de surgelés

Pour cuisiner à partir de produits surgelés, suivez les instructions de la cuisson automatique, mais appuyez d'abord sur la touche « **SURGELÉS** ».

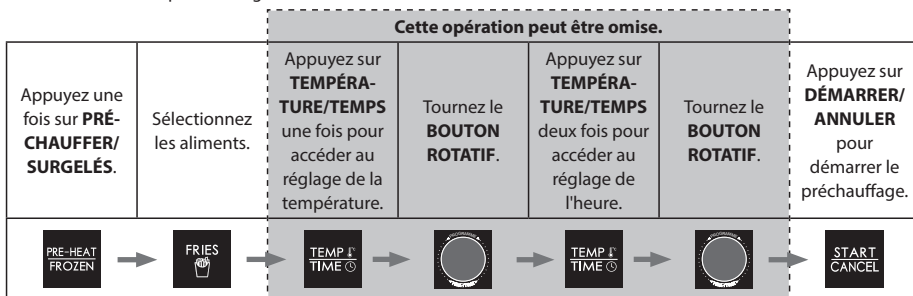


- Placer uniformément les aliments à cuire dans le panier à friture.
- Placer le panier à friture dans le pot intérieur. Insérer le pot intérieur dans la friteuse.
- Brancher la friteuse sur le secteur.
- Appuyez une deux fois sur la touche **PRÉCHAUFFER/SURGELÉS**.
- Sélectionnez la fonction souhaitée en appuyant sur la touche de fonction du panneau de commande. La température et la durée par défaut clignotent sur l'écran DEL.
  - Si nécessaire, appuyez une fois sur la touche « **TEMPÉRA-TURE/TEMPS** », puis tournez le **BOUTON ROTATIF** pour régler la température de cuisson souhaitée.
  - Si nécessaire, appuyez une deux fois sur la touche « **TEMPÉRA-TURE/TEMPS** » deux fois, puis tournez le **BOUTON ROTATIF** pour régler le temps de cuisson souhaité.
- Appuyez sur la touche **DÉMARRER/ANNULER** une fois pour démarrer la cuisson ; le temps est décompté.
- Lorsque la cuisson est terminée, l'appareil émet un son et revient en mode veille.
- Appuyez sur le bouton d'ouverture et tirez avec précaution sur la poignée intérieure du pot pour en sortir les aliments.

La cuisson à partir de produits surgelés n'est possible que pour les **frites**, les **légumes** et les **pizzas**.  
Pour la cuisson d'autres aliments surgelés, veuillez vous reporter aux conseils de cuisson du manuel.

## Préchauffage

Pour s'assurer que votre friteuse est à la bonne température pour la cuisson de vos aliments, il existe une fonction de préchauffage qui peut être utilisée avant les fonctions de cuisson manuelles et automatiques. Il suffit d'appuyer une fois sur le bouton de préchauffage avant de sélectionner une autre fonction.



1. Placer le panier à friture dans le pot intérieur. Insérer le pot intérieur dans la friteuse.
2. Brancher la friteuse sur le secteur.
3. Appuyez une fois sur la touche **PRÉCHAUFFER/SURGELÉS**.
4. Sélectionner l'aliment souhaité en appuyant sur la touche de cuisson automatique pertinente du panneau de commande. La température et la durée par défaut clignotent sur l'écran DEL.
  - a. Si nécessaire, appuyez une fois sur la touche « **TEMPÉRATURE/TEMPS** » une fois, puis tournez le **BOUTON ROTATIF** pour régler la température de cuisson souhaitée.
  - b. Si nécessaire, appuyez une deux fois sur la touche « **TEMPÉRATURE/TEMPS** » deux fois, puis tournez le **BOUTON ROTATIF** pour régler le temps de cuisson souhaité.
5. Appuyez sur la touche **DÉMARRER/ANNULER**.
6. Lorsque l'appareil a atteint la bonne température de préchauffage, il émet un son.
7. Retirez le pot intérieur et placez uniformément les aliments à cuire dans le panier à friture.
8. Remettez le pot intérieur/panier de friture dans la friteuse.
9. La friteuse démarre automatiquement et le temps est décompté.
10. Lorsque la cuisson est terminée, l'appareil émet un son et revient en mode veille.
11. Retirez le pot intérieur et n'oubliez pas de manipuler les aliments avec précaution et de les retirer immédiatement du panier de la friteuse, sinon la chaleur qui reste dans la friteuse continuera à cuire et à dessécher vos aliments.

## BOUTON ROTATIF

Le bouton rotatif de votre friteuse à air possède plusieurs fonctions, certaines d'entre elles répliquant celles des touches du panneau de commande.

Lorsque la friteuse à air est branchée sur le secteur, elle entre en mode de réglage des fonctions et affiche la température et l'heure du premier mode de programmation automatique.

Pour sélectionner le menu automatique souhaité, tournez le bouton, puis appuyez au centre du bouton pour confirmer une fois que le nom du menu souhaité clignote. Si la température et l'heure affichées à l'écran conviennent, appuyez sur la touche **DÉMARRER/ANNULER** du panneau de commande supérieur pour lancer la cuisson. Si nécessaire, vous pouvez ajuster la température et le temps de cuisson du menu sélectionné, avant d'appuyer sur la touche **DÉMARRER/ANNULER** pour lancer la cuisson.

1. Appuyez sur le bouton ; l'affichage de la température commence à clignoter.
2. Tournez le bouton pour régler la température de cuisson souhaitée.
3. Appuyez sur le bouton pour confirmer le réglage de la température. Les chiffres du temps clignotent.
4. Tournez le bouton pour régler le temps de cuisson souhaité.
5. Appuyez sur le centre du bouton pour lancer le processus de cuisson.

Pour annuler la cuisson, appuyez sur le centre du bouton.

## ENTRETIEN EN COURS D'UTILISATION

Cet appareil nécessite peu d'entretien lorsqu'il est utilisé. Nettoyez votre friteuse à air après chaque utilisation pour prolonger sa durée de vie.

Cette friteuse à air ne contient aucune pièce réparable par l'utilisateur. N'essayez pas de la réparer vous-même. Dans le cas improbable d'une panne, contactez le centre d'appel SHARP en utilisant les coordonnées figurant au début de ce manuel d'utilisation.

## INSTRUCTIONS DE NETTOYAGE

**ATTENTION :** Pour éviter tout risque d'électrocution, NE PAS IMMERGER LA FRITEUSE À AIR DANS DE L'EAU OU TOUT AUTRE LIQUIDE.

Votre friteuse à air doit être nettoyée régulièrement afin d'optimiser ses performances et sa durée de vie. Un nettoyage régulier réduit également le risque d'incendie. Pour le nettoyage, suivez les instructions ci-dessous :

1. Retirez la fiche d'alimentation de la prise électrique. Laissez votre friteuse à air refroidir.
2. Nettoyez le panier de la friteuse et le pot intérieur à l'aide d'un chiffon humide et savonneux. Veillez à n'utiliser que de l'eau douce et savonneuse. Si les taches sur le panier ou le pot intérieur sont trop difficiles à nettoyer, laissez-les tremper dans de l'eau tiède pendant environ 10 minutes.
3. Nettoyez les éléments chauffants avec un chiffon sec et doux.
4. Essuyez l'extérieur de votre friteuse avec un chiffon doux et humide, puis séchez-le.

**ATTENTION :** N'UTILISEZ PAS DE NETTOYANTS ABRASIFS OU TOUT TYPE DE MATÉRIAU RÉCURANT sur la surface du panier à friture et du pot intérieur. Veillez à n'utiliser que de l'eau douce et savonneuse. Les nettoyeurs abrasifs, les brosses à récurer et les nettoyeurs chimiques endommageront le revêtement de cet appareil.

Outre le nettoyage recommandé, aucun autre entretien ne devrait être nécessaire.

Tout autre entretien doit être effectué par un représentant de service autorisé.

## STOCKAGE

Débranchez l'appareil, laissez-le refroidir et nettoyez-le avant de le ranger. Rangez la friteuse dans sa boîte, dans un endroit propre et sec. Ne rangez jamais l'appareil lorsqu'il est chaud ou encore branché. N'enroulez jamais le cordon d'alimentation autour de la friteuse à air. N'exercez aucune contrainte sur le cordon à l'endroit où il pénètre dans l'appareil, car il pourrait s'effiloche et se rompre.

Si vous rangez la friteuse à air pendant une longue période, assurez-vous qu'elle est propre et exempte de particules d'aliments. Rangez-la dans un endroit sec, par exemple sur une table, un comptoir ou une étagère de placard.

# DÉPANNAGE

Si vous rencontrez des problèmes avec votre friteuse, suivez les conseils ci-dessous.

La friteuse ne fonctionne pas	L'appareil n'est pas branché ou allumé.	Assurez-vous que la fiche secteur est insérée dans une prise électrique murale et qu'elle est allumée.
	Vous n'avez pas réglé l'heure ou la température.	Réglez l'heure et la température, puis appuyez sur <b>DÉMARRER/ANNULER</b> .
	Le pot intérieur n'est pas correctement verrouillé dans l'appareil	Poussez le pot intérieur dans la friteuse à air jusqu'à ce qu'il s'enclenche.
Les ingrédients frits avec la friteuse à air ne sont pas cuits.	Il y a trop d'aliments dans le panier de friture.	Mettez de plus petites quantités d'ingrédients dans le panier de friture. Les petites quantités sont frites plus uniformément.
	La température réglée est trop basse.	Réglez la température à la valeur souhaitée.
	Le temps de cuisson est trop court.	Réglez la minuterie sur le temps de préparation requis.
Les snacks frits ne sont pas croustillants lorsqu'ils sortent de la friteuse.	Vous avez utilisé un type de snack destiné à être préparé dans une friteuse traditionnelle.	Utilisez des snacks préparés au four ou badigeonnez-les légèrement d'huile pour un résultat plus croustillant.
Il est difficile ou impossible de glisser correctement le pot intérieur et le panier à friture dans l'appareil.	Il y a trop d'aliments dans le panier de friture.	Ne pas trop remplir le panier à friture.
	Le panier de friture n'est pas correctement placé dans le pot intérieur	Enfoncez le panier à friture dans le pot intérieur jusqu'à ce que vous entendiez un léger déclic.
De la fumée blanche s'échappe de l'appareil.	Vous préparez des ingrédients gras.	Lorsque vous faites frire des ingrédients gras dans la friteuse à air, une grande quantité d'huile s'écoule dans la poêle. Cette huile peut produire de la fumée blanche et la poêle peut chauffer plus que d'habitude. Cela n'affecte pas l'appareil ni le résultat final.
	La poêle contient encore des résidus de graisse provenant de l'utilisation précédente.	La fumée blanche est due à l'échauffement de la graisse dans le pot intérieur ; veillez à bien nettoyer le panier de friture et le pot intérieur après chaque utilisation.
Les frites fraîches sont frites de manière irrégulière dans la friteuse à air.	Vous n'avez pas utilisé le bon type de pommes de terre.	Utilisez des pommes de terre fraîches et veillez à ce qu'elles restent fermes pendant la friture.
	Vous n'avez pas bien rincé les bâtonnets de pommes de terre avant de les faire frire.	Rincez soigneusement les bâtonnets de pommes de terre pour éliminer l'amidon de l'extérieur des bâtonnets.
Les frites fraîches ne sont pas croustillantes lorsqu'elles sortent de la friteuse.	Le croustillant des frites dépend de la quantité/du type d'huile et d'eau qu'elles contiennent.	Veillez à bien sécher les bâtonnets de pommes de terre avant d'ajouter l'huile.
		Coupez les pommes de terre en bâtonnets plus fins pour un résultat plus croustillant.
		Ajoutez un peu plus d'huile pour un résultat plus croustillant.

Si vous avez encore des problèmes, contactez le centre d'appel SHARP en utilisant les coordonnées figurant au début de ce manuel d'utilisation.



### Pažnja:

Proizvod je označen ovim simbolom.

To znači da se rabljeni električni i elektronički proizvodi ne smiju miješati s uobičajenim kućanskim otpadom. Za prikupljanje ovih proizvoda postoji poseban sustav.



[www.sharpconsumer.com/contact/](http://www.sharpconsumer.com/contact/)



[www.sharpconsumer.com/support/](http://www.sharpconsumer.com/support/)



[www.sharpconsumer.com/documents-of-conformity/](http://www.sharpconsumer.com/documents-of-conformity/)

## A. Informacije o odlaganju za korisnike (privatna kućanstva)

### 1. U Europskoj uniji

Pažnja: ako ovu opremu želite odložiti, nemojte rabiti uobičajeni koš za otpatke!

Rabljena električna i elektronička oprema mora se odlagati zasebno i u skladu s propisima koji nalažu pravilno odlaganje, obnavljanje i recikliranje rabljene električne i elektroničke opreme.

Nakon implementacije u državama članicama, privatna kućanstva u državama EU mogu besplatno vratiti rabljenu električnu i elektroničku opremu u predviđena sabirna mjesta\*.

U nekim državama\* lokalni dobavljač može besplatno preuzeti stari proizvod ako kupite novi.

\*) Za dodatne pojedinosti obratite se lokalnim nadležnim tijelima.

Ako vaša električna ili elektronička oprema ima baterije ili akumulatore, odložite ih zasebno u skladu s lokalnim propisima. Pravilnim odlaganjem ovog proizvoda omogućujete pravilnu obradu, obnavljanje i recikliranje otpada te sprječavate negativne učinke na okoliš i ljudsko zdravlje koji proizlaze iz nepravilnog postupanja s otpadom.

### 2. U drugim državama izvan EU

Ako ovaj proizvod želite odložiti, informacije o pravilnom odlaganju zatražite od lokalnih nadležnih tijela.

Za Švicarsku: rabljena električna i elektronička oprema može se besplatno vratiti dobavljaču, čak i ako ne kupujete novi proizvod. Ostala sabirna mjesta navedena su na početnoj stranici [www.swico.ch](http://www.swico.ch) i [www.sens.ch](http://www.sens.ch).

## B. Informacije o odlaganju za poslovne korisnike

### 1. U Europskoj uniji

Ako se proizvod koristio u poslovne svrhe i želite ga odbaciti:

Za informacije o preuzimanju proizvoda zatražite od svog dobavljača tvrtke SHARP. Možda će Vam biti naplaćeni troškovi preuzimanja i recikliranja. Lokalna sabirna mjesta možda preuzimaju male proizvode (i male količine).

Za Španjolsku: za preuzimanje rabljenih proizvoda obratite se predviđenom sabirnom mjestu ili lokalnim nadležnim tijelima.

### 2. U drugim državama izvan EU

Ako ovaj proizvod želite odložiti, informacije o pravilnom odlaganju zatražite od lokalnih nadležnih tijela.

Za servis posjetite [www.sharpconsumer.com/contact/](http://www.sharpconsumer.com/contact/), a za jamstvena prava [www.sharpconsumer.com/support/](http://www.sharpconsumer.com/support/) ili se obratite dobavljaču od kojeg ste kupili proizvod.

Deklaracije usklađenosti dostupne su na adresi [www.sharpconsumer.com/documents-of-conformity/](http://www.sharpconsumer.com/documents-of-conformity/)

---

# SADRŽAJ

SIGURNOSNE UPUTE .....	3
TEHNIČKI PODACI .....	6
FRITEZA NA VRUĆI ZRAK I OPREMA .....	7
UPRAVLJAČKA PLOČA .....	8
PRIJE UPOTREBE FRITEZE NA VRUĆI ZRAK .....	8
UPUTE ZA UPOTREBU .....	9
Automatsko kuhanje .....	9
Priprema zamrznute hrane .....	10
Predgrijavanje .....	11
BIRAČ .....	12
ODRŽAVANJE TIJEKOM UPOTREBE .....	12
UPUTE ZA ČIŠĆENJE .....	12
POHRANA .....	12
OTKLANJANJE POTEŠKOĆA .....	13


## SIGURNOSNE UPUTE

### **Prilikom uporabe električnog uređaja potrebno je poštivati osnovne mjere opreza, uključujući sljedeće:**

- Djeca moraju biti pod nadzorom kako se ne bi igrala uređajem.
- Ovaj uređaj nije predviđen za uporabu od strane osoba (uključujući djecu) sa smanjenim fizičkim, osjetilnim ili mentalnim sposobnostima ili nedostatkom iskustva i znanja, osim ako su pod nadzorom ili su primila upute za sigurnu uporabu uređaja od osobe odgovorne za njihovu sigurnost.
- Košaru friteze na vrući zrak i unutarnju posudu čistite vlažnom krpom i sapunicom. Upotrijebite samo blagi deterdžent.
- Nemojte čistiti metalnim strugačima, mrežicama i sl. Metalni komadići mogu se odlomiti i doći u kontakt s električnim dijelovima te uzrokovati strujni udar. Također može doći do oštećenja površine.
- Uređaj i sve dijelove osušite mekom krpom prije pohrane ili upotrebe.
- Ako na košari ili unutarnjoj posudi ima tvrdokornih mrlja, namočite ih u toplu vodu na 10 minuta prije čišćenja.
- Košara za prženje i unutarnja posuda mogu se prati u perilici posuđa.
- NEMOJTE prepunjavati uređaj. Prepunjavanje može uzrokovati tjelesne ozljede ili materijalnu štetu te smanjiti sigurnost upotrebe uređaja.
- U unutarnjoj posudi NEMOJTE upotrebljavati ulja ni bilo kakve druge tekućine.
- Uređaj NEMOJTE upotrebljavati za prženje u dubokom ulju.
- Provjerite je li hrana pravilno pripremljena i termički obrađena kako biste izbjegli zdravstvene poteškoće.
- Spriječite kontakt hrane s grijačima.
- Prije upotrebe uvijek provjerite je li uređaj pravilno

---

sastavljen.

- U fritezu na vrući zrak NEMOJTE stavljati sljedeće materijale: karton, plastiku, papir i sl.
- Dok friteza na vrući zrak nije u upotrebi, nemojte u nju pohranjivati nikakve materijale i predmete osim isporučene opreme.
- Uređaj upotrebljavajte samo u predviđene svrhe.
- NEMOJTE upotrebljavati na otvorenom.
- Za sve savjete o ovom proizvodu obratite se Službi za podršku tvrtke Sharp.
- Uređaj držite samo za rukohvate i primijenite mjere za zaštitu od vrućine kao što su rukavice i podmetači.
- Pročitajte sve upute kako biste se upoznali s upotrebom ove friteze na vrući zrak. NEMOJTE dodirivati vruće površine. Po mogućnosti upotrijebite rukohvate ili kontrole (ovisno o modelu).
- Uporaba dodataka koje proizvođač nije odobrio može uzrokovati opasne situacije ili ozljede.
- Ovaj proizvod namijenjen je samo za UPORABU U KUĆANSTVU.
- Kako unutarnja posuda ne bi pala na pod, postavite je na stabilnu površinu prije podizanja košare friteze na vrući zrak.
- Prilikom upotrebe provjerite je li rukohvat okrenut prema vama.
- OPREZ: Oznaka  znači POVRŠINE SU VRUĆE TIJEKOM I NAKON UPOTREBE. NEMOJTE dodirivati vruće površine.
- NEMOJTE prekrivati otvore za ulaz i izlaz zraka dok uređaj radi. To sprječava ravnomjernu obradu hrane te može uzrokovati oštećenje uređaja ili njegovo pregrijavanje.
- NEMOJTE dodirivati opremu uređaja tijekom ili neposredno nakon pripreme hrane.
- Ako uređaj sadrži vruću hranu, potreban je izniman oprez. Nepravilna upotreba može uzrokovati ozljede.
- Uređaj nakon upotrebe ostavite da se ohladi.

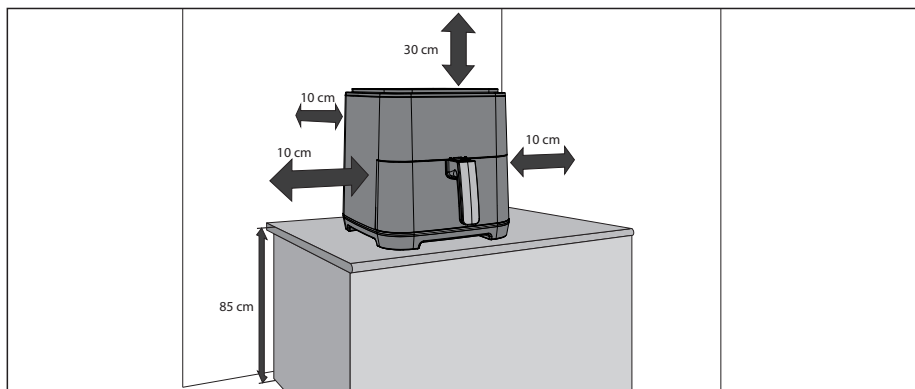


- Pričekajte da se friteza na vrući zrak ohladi prije čišćenja.
- UPOZORENJE: friteza na vrući zrak postaje vruća tijekom upotrebe i temperatura nekih površina može biti visoka. Stoga budite oprezni prilikom upotrebe uređaja.
- Nosite zaštitne rukavice prilikom dodirivanja vrućih površina, košare, unutarnje posude i hrane.
- Prilikom upotrebe ovog uređaja provjerite ima li dovoljno prostora iznad i sa svih strana uređaja kako bi zrak mogao strujati. UVIJEK provjerite je li unutarnja posuda pravilno zatvorena prije upotrebe.
- NE dopustite da kabel napajanja visi preko ruba radne površine ili dodiruje vruće površine.
- NEMOJTE upotrebljavati uređaj ako su uređaj, utikač ili kabel napajanja oštećeni na bilo koji način, kao ni nakon kvara uređaja.
- Kabel ili utikač napajanja NEMOJTE mijenjati ni modificirati.
- NEMOJTE upotrebljavati produžni kabel.
- Provjerite jesu li utičnica/prekidač napajanja dostupni tijekom upotrebe friteze na vrući zrak.
- Ovaj friteza na vrući zrak nije predviđena za upotrebu uz vanjske mjerače vremena ili zasebne sustave daljinskog upravljanja.
- Uređaj iskopčajte iz napajanja kad nije u upotrebi, kao i prije čišćenja.
- Uređaj iz utičnice uvijek iskopčajte povlačenjem za utikač, a ne za kabel.
- Kad prestanete upotrebljavati fritezu na vrući zrak, pritisnite tipku STOP/CANCEL za povratak u stanje pripravnosti, a zatim iskopčajte uređaj iz napajanja.
- Da ne bi došlo do strujnog udara, uređaj nemojte uranjati u vodu ili bilo kakvu drugu tekućinu.
- NEMOJTE prekrivati nijedan dio friteze na vrući zrak jer to uzrokuje pregrijavanje.
- Fritezu na vrući zrak NEMOJTE stavljati na vruće površine,

blizu plinskih/električnih štednjaka ili na zagrijanu pećnicu.

- Prilikom upotrebe friteze na vrući zrak održavajte najmanje 10 cm prostora sa svih strana uređaja kako bi zrak mogao slobodno strujati.

SAČUVAJTE OVE UPUTE ZA SLUČAJ POTREBE



## TEHNIČKI PODACI

Naziv modela	GS404A
Snaga friteze na vrući zrak (W)	1300
Razine temperature friteze na vrući zrak (u stupnjevima Celzija)	od 80 °C do 200 °C
8 automatskih programa	Pomfrit, Govedina, Povrće, Mala piletina, Šunka, Riba, Krumpir
2 funkcije	Predgrijavanje, Priprema zamrznute hrane
Kapacitet (litre)	4,0
Upravljačka ploča	Digitalna s rotacijskom kontrolom
Premaz košare za prženje	Neprianjajući
Dimenzije košare za prženje (promjer x visina u mm)	Ø190 x 50
Premaz unutarnje posude	Neprianjajući
Dimenzije unutarnje posude (promjer x visina u mm)	200 x 120
Duljina kabela napajanja (mm)	900
Razina buke (dB)	55 - 62
Potrošnja energije (W)	1300
Potrebno napajanje	220-240 V 50 Hz
Potrošnja energije u stanju pripravnosti (W)	<0.5
Dimenzije (Š x V x D u mm)	261 x 338 x 327
Težina (kg)	4,5

Ovaj proizvod sukladan je važećim Propisima i Standardima UK i EU.

U SKLOPU NASTOJANJA ZA STALNIM POBOLJŠANJEM ZADRŽAVAMO PRAVO PROMJENE DIZAJNA I SPECIFIKACIJA BEZ PRETHODNE NAJAVE.

# FRITEZA NA VRUĆI ZRAK I OPREMA

**Prije prve upotrebe upoznajte se sa sljedećim funkcijama i opremom friteze na vrući zrak:**

**Unutarnja posuda:** postavite košaru za prženje na unutarnju posudu, a zatim postavite unutarnju posudu u fritezu na vrući zrak.

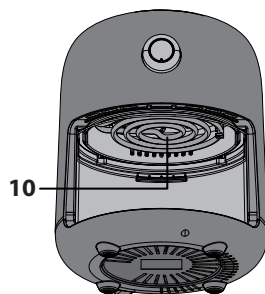
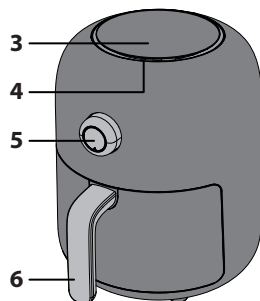
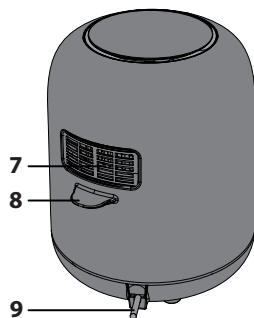
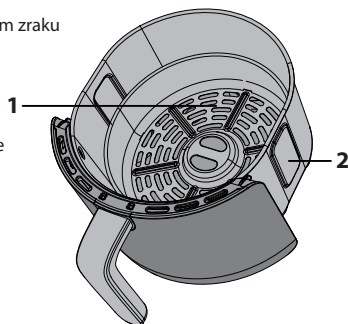
**Košara za prženje:** stavite hranu u košaru za prženje, a zatim postavite košaru za prženje u unutarnju posudu.

**NAPOMENA:** kako unutarnja posuda ne bi pala na pod, stavite je na stabilnu površinu prije podizanja košare za prženje.

**Ispušni otvor:** tijekom upotrebe izlazi vruća para iz ispušnog otvora (to je normalno). Ruke i lice držite podalje od ispušnog otvora kako se ne biste opekli.

**Rukohvat:** upotrebljava se za vađenje i umetanje unutarnje posude te košare za prženje.

1. Košara za prženje na vrućem zraku
2. Unutarnja posuda
3. Upravljačka ploča
4. Usis zraka
5. Birač
6. Rukohvat košare za prženje
7. Ispušni otvor
8. Rukohvat za držanje
9. Kabel napajanja
10. Grijač



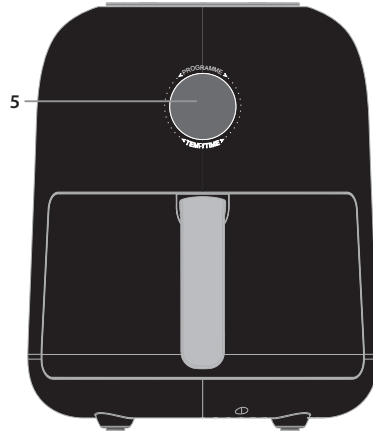
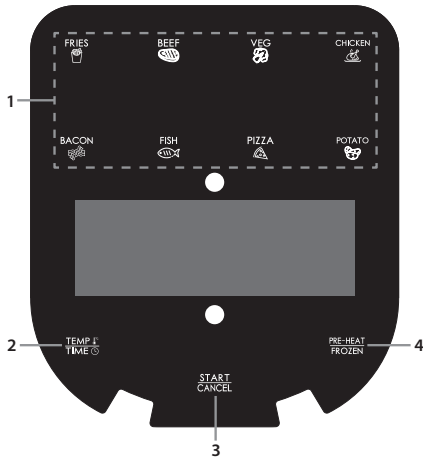
## SMJER PROTOKA ZRAKA

Tijekom upotrebe, vrući zrak iz grijača kreće se smjerom prikazanim na slici u nastavku. To omogućuje ravnomjernu pripremu hrane uz podešenu temperaturu i vremensko razdoblje. Nemojte upotrebljavati materijale kao što je metalna folija, koji mogu zapriječiti protok zraka ili prepuniti košaru za prženje.



# UPRAVLJAČKA PLOČA

1. **Tipke za automatsko kuhanje** – programi automatskog kuhanja, 8 opcija.
2. **Temperature/Time** – Ručno podešavanje temperature i vremena.
3. **Start/Cancel** – Pokretanje friteze na vrući zrak ili poništavanje/pauziranje rada.
4. **Pre-Heat/Frozen** – za predgrijavanje friteze na vrući zrak na odgovarajuću temperaturu ili priprema zamrznute hrane.
5. **Birač** – Za podešavanje vremena i temperature.



# PRIJE UPOTREBE FRITIZE NA VRUĆI ZRAK

Prije prve upotrebe friteze na vrući zrak izvadite unutarnju posudu i košaru za prženje iz ambalaže te ih operite toplom vodom i deterdžentom ili u perilici posuđa. Zatim dobro osušite sve dijelove te ih ponovo sastavite u uređaju. Vanjsko kućište i unutarnje dijelove obrišite vlažnom krpom i osušite prije upotrebe.

Uključite u struju i postavite jedinicu za kuhanje krumpirića (nemojte stavljati hranu u jedinicu). Ovo će uključiti jedinicu na 180°C na 23 minute čime će se omogućiti da se rasprše svi ostaci koji su se zaljepili za grijaći element tijekom proizvodnje.

Prije upotrebe pročitajte sve upute.

# UPUTE ZA UPOTREBU

## Friteza na vrući zrak podržava nekoliko načina rada:

**Automatsko kuhanje** – odaberite jednu od 8 programiranih opcija kuhanja.

**Priprema zamrznute hrane** – Priprema zamrznute hrane (samo povrće, pizza i pomfrit).

**Pre-Heat** – Omogućuje zagrijavanje friteze na vrući zrak na odgovarajuću temperaturu prije kuhanja.

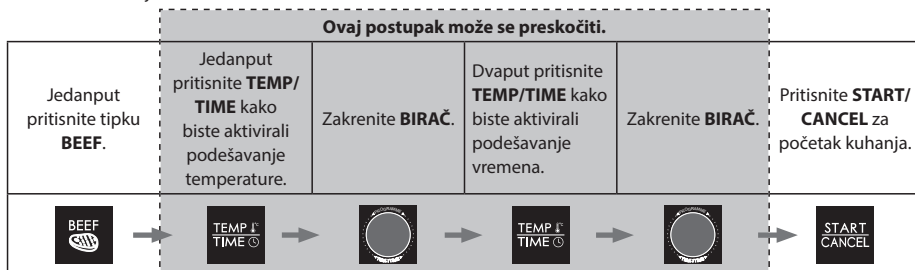
### Napomene o kuhanju

- Količina hrane ne smije ispunjavati više od 4/5 ukupne zapremine košare za prženje.
- Temperatura i vrijeme mogu se podesiti tijekom rada.
- Za pauziranje kuhanja izvucite unutarnji lonac iz jedinice; kada se gurne natrag u jedinicu, automatski će se pokrenuti.
- Za poništenje kuhanja dvaput pritisnite tipku **START/CANCEL**.
- Neke će se namirnice morati promiješati/protresti tijekom kuhanja: izvucite unutarnji lonac iz jedinice, po potrebi promiješajte/protresite i zatim vratite unutarnji lonac u Air Fryer; Air Fryer će se automatski ponovno pokrenuti.
- Provjerite je li hrana dovoljno kuhana. Ako nije, vratite je u fritezu na vrući zrak i nastavite s kuhanjem.
- Kako unutarnja posuda ne bi pala na pod, stavite je na stabilnu površinu otpornu na vrućinu prije podizanja košare.
- U ovoj fritezi na vrući zrak kuhajte samo hranu.
- NEMOJTE upotrebljavati za prženje u dubokom ulju.

## Automatsko kuhanje

Za jednostavnu i praktičnu upotrebu tu je 8 automatskih programa kuhanja. Možete im jednostavno pristupiti pomoću odgovarajućih tipki na upravljačkoj ploči.

U sljedećem primjeru pripremamo govedinu. Temperaturu i vrijeme nije potrebno podešavati, osim ako hranu želite kuhati više ili manje.



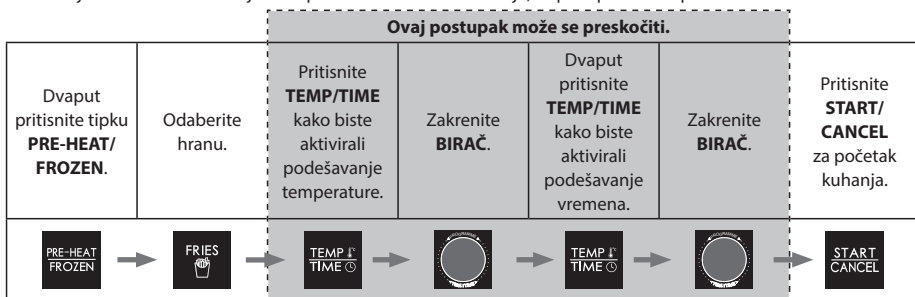
1. Hranu koju pripremate ravnomjerno rasporedite u košaru za prženje.
2. Postavite košaru za prženje u unutarnju posudu, a zatim umetnite unutarnju posudu u fritezu na vrući zrak.
3. Priključite fritezu na vrući zrak u napajanje.
4. Odaberite hranu pomoću tipki za automatsko kuhanje na upravljačkoj ploči. Na zaslonu će treperiti zadana temperatura i vrijeme.
  - a. Po potrebi jedanput pritisnite tipku „TEMP/TIME“, a zatim zakrenite **BIRAČ** kako biste podesili temperaturu kuhanja.
  - b. Po potrebi dvaput pritisnite tipku **TEMP/TIME**, a zatim zakrenite **BIRAČ** kako biste podesili vrijeme kuhanja.
5. Za početak kuhanja jedanput pritisnite tipku **START/CANCEL**. Započinje odbrojavanje vremena.
6. Po dovršetku kuhanja čuje se zvučni signal i uređaj se vraća u stanje pripravnosti.
7. Pažljivo izvucite unutarnju posudu za ručku te odmah izvadite hranu iz košare za prženje. U suprotnom će se hrana nastaviti kuhati zbog topline preostale u fritezi na vrući zrak i isušiti hranu.

**Napomena:** ako mijenjate vrijeme kuhanja za automatsko kuhanje, možete ga povećati za najviše 30%. Time se sprječava moguće zagorijevanje hrane.

Hrana	Težina	Inicijalna temperatura hrane	Vrijeme kuhanja	Maksimalno dodatno vrijeme	Okretanje na drugu stranu	Vrijeme pripreme zamrznute hrane	Temperatura	Komentari
Pomfrit	200 g do 500 g	Sobna temperatura	od 15 do 20	23	Da	26	180	Do not overload the pot.
Govedina	150 g do 500 g		od 8 do 12	16	Da	-	200	Moguće je pripremiti do 270 g bifteka
Povrće	100 g do 400 g		10	13	Da	14	190	Cut up vegetables into pieces 2 x 3cm.
Piletina	800 g do 1000 g		30	39	Da	-	190	Cijelo pile ili veliki komadi
Šunka	4 do 6 reznja		9	12	-	-	180	Režnjeve šunke ravnomjerno rasporedite u košaru za prženje
Riba	100 g do 500 g		12	16	Da	-	200	Place fish pieces directly onto the base of the frying basket.
Krumpir	250 g po komadu		40	52	Da	-	200	Stavite 3 krumpira po 250 g u košaru za prženje
Pizza	100 g do 400 g		13	17	-	18	160	Place whole or pizza pieces directly in the frying basket.

## Priprema zamrznute hrane

Za kuhanje zamrznute hrane slijedite upute za automatsko kuhanje, ali prvo pritisnite tipku **FROZEN**.



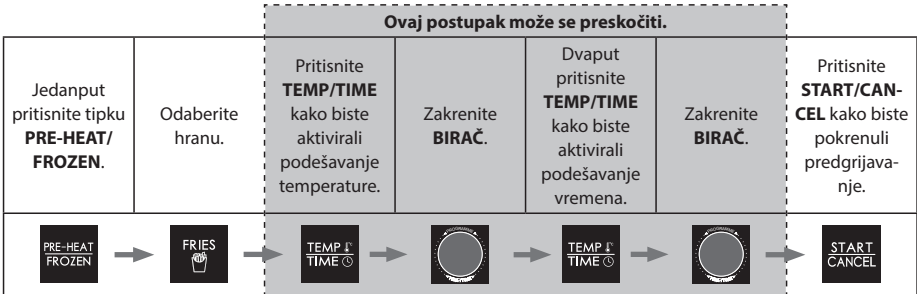
- Hranu koju pripremate ravnomjerno rasporedite u košaru za prženje.
- Postavite košaru za prženje u unutarnju posudu, a zatim umetnite unutarnju posudu u fritezu na vrući zrak.
- Priključite fritezu na vrući zrak u napajanje.
- Dvaput pritisnite tipku **PRE-HEAT / FROZEN**.
- Odaberite funkciju pomoću tipki za odabir funkcije na upravljačkoj ploči. Na zaslonu će treperiti zadana temperatura i vrijeme.
  - Po potrebi jedanput pritisnite tipku „**TEMP/TIME**“, a zatim zakrenite **BIRAČ** kako biste podesili temperaturu kuhanja.
  - Po potrebi dvaput pritisnite tipku **TEMP/TIME**, a zatim zakrenite **BIRAČ** kako biste podesili vrijeme kuhanja.
- Za početak kuhanja jedanput pritisnite tipku **START/CANCEL**. Započinje odbrojavanje vremena.
- Po dovršetku kuhanja čuje se zvučni signal i uređaj se vraća u stanje pripravnosti.
- Pritisnite tipku za otvaranje, pažljivo izvucite unutarnju posudu za ručku te izvadite hranu.

Priprema zamrznute hrane moguća je samo uz opcije **FRIES** (Pomfrit), **VEGETABLES** (Povrće) i **PIZZA**.

Za pripremu druge zamrznute hrane pregledajte savjete za ručno kuhanje.

## Predgrijavanje

Za zagrijavanje friteze na vrući zrak na temperaturu potrebnu za kuhanje tu je funkcija predgrijavanja, koja se može upotrijebiti prije automatskog kuhanja i ručnog kuhanja. Jedanput pritisnite tipku Pre-Heat prije odabira bilo koje druge funkcije.



1. Postavite košaru za prženje u unutarnju posudu, a zatim umetnite unutarnju posudu u fritezu na vrući zrak.
2. Priključite fritezu na vrući zrak u napajanje.
3. Jedanput pritisnite tipku **PRE-HEAT / FROZEN.**
4. Odaberite hranu pomoću tipki za automatsko kuhanje na upravljačkoj ploči. Na zaslonu će treperiti zadana temperatura i vrijeme.
  - a. Po potrebi jedanput pritisnite tipku **TEMP/TIME**, a zatim zakrenite **BIRAČ** kako biste podesili temperaturu kuhanja.
  - b. Po potrebi dvaput pritisnite tipku **TEMP/TIME**, a zatim zakrenite **BIRAČ** kako biste podesili vrijeme kuhanja.
5. Pritisnite tipku **START/CANCEL.**
6. Kada uređaj postigne odgovarajuću temperaturu, čuje se zvučni signal.
7. Izvadite unutarnju posudu i ravnomjerno rasporedite hranu u košaru za prženje.
8. Vratite unutarnju posudu / košaru za prženje u fritezu na vrući zrak.
9. Air Fryer će se automatski pokrenuti i vrijeme se odbrojava.
10. Po dovršetku kuhanja čuje se zvučni signal i uređaj se vraća u stanje pripravnosti.
11. Izvucite unutarnji lonac i zapamtite da pažljivo rukujete i odmah izvadite hranu iz košare za prženje na zraku ili će toplina preostala u fritezi nastaviti kuhati i isušivati vašu hranu.

## BIRAČ

Birač na fritezi na vrući zrak ima nekoliko funkcija, a neke od njih identične su funkcijama tipki na upravljačkoj ploči. Kada se friteza na vrući zrak priključi na napajanje, nalazi se u načinu rada za podešavanje funkcija. Prikazuje se temperatura i vrijeme za prvi automatski program.

Da biste odabrali automatski izbornik, zakrenite gumb, a zatim pritisnite središte gumba za potvrdu kad naziv izbornika počne treperiti. Ako su temperatura i vrijeme prikazani na izborniku odgovarajući, pritisnite tipku **START/CANCEL** pri vrhu upravljačke ploče kako biste pokrenuli pećnicu.

Po potrebi možete podesiti temperaturu i vrijeme odabranog izbornika prije nego što pritisnete tipku **START/CANCEL** za pokretanje pećnice.

1. Pritisnite gumb i prikaz temperature početak će treperiti.
2. Zakrenite gumb kako biste podesili temperaturu.
3. Pritisnite gumb kako biste potvrdili postavku temperature. Znamenke vremena počinju treperiti.
4. Zakrenite gumb kako biste podesili vrijeme.
5. Pritisnite središte gumba kako biste pokrenuli pećnicu.

Da biste poništili postupak, pritisnite sljedeći gumb.

## ODRŽAVANJE TIJEKOM UPOTREBE

Ovaj uređaj zahtijeva malo održavanja tijekom upotrebe. Fritezu na vrući zrak očistite nakon svake upotrebe kako biste produžili njezin vijek trajanja.

Ova friteza na vrući zrak ne sadrži dijelove koje bi korisnik mogao sam popraviti. Ne pokušavajte je popravljati sami. U malo vjerojatnom slučaju kvara, obratite se pozivnom centru tvrtke SHARP navedenom na početku ovog Korisničkog priručnika.

## UPUTE ZA ČIŠĆENJE

**OPREZ:** Da biste se zaštitili od strujnog udara, FRITEZU NA VRUĆI ZRAK NEMOJTE URANJATI U VODU ILI BILO KAKVE DRUGE TEKUĆINE.

Za najbolju učinkovitost i dug vijek trajanja fritezu na vrući zrak potrebno je redovito čistiti. Redovito čišćenje također smanjuje rizik od požara. Za čišćenje slijedite upute u nastavku:

1. Iskopčajte utikač napajanja iz strujne utičnice. Pričekajte da se friteza na vrući zrak ohladi.
2. Košaru za prženje i unutarnju posudu očistite vlažnom krpom i deterdžentom. Upotrijebite samo blagu otopinu deterdženta. Da biste očistili tvrdokorne nečistoće na košari ili unutarnjoj posudi, namočite ih u vodi na 10 minuta.
3. Grijače čistite suhom i mekom krpom.
4. Vanjsku površinu friteze na vrući zrak obrišite mekom i vlažnom krpom, a zatim osušite.

**OPREZ:** NEMOJTE UPOTREBLJAVATI ABRAZIVNA SREDSTVA ZA ČIŠĆENJE ILI BILO KAKVE STRUGAČE na površini košare za punjenje i unutarnje posude. Upotrijebite samo blagu otopinu deterdženta u vodi. Abrazivna i kemijska sredstva za čišćenje i četke za struganje oštećuju zaštitni premaz i površinu uređaja.

Osim preporučenog čišćenja, nije potrebno nikakvo drugo održavanje uređaja.

Popravke i servisiranje prepustite ovlaštenom servisu.

## POHRANA

Uređaj prije pohrane iskopčajte iz napajanja, pričekajte da se ohladi i očistite ga. Fritezu na vrući zrak pohranite u njezinu kutiju na čistom i suhom mjestu. Uređaj ne pohranjujte dok je vruć ili priključen na napajanje. Kabel napajanja nemojte čvrsto omatati oko uređaja. Nemojte ga izlagati naprezanjima na mjestu ulaska u uređaj jer to može uzrokovati oštećenje i pucanje kabela.

Ako fritezu na vrući zrak pohranjujete na dulje vrijeme, provjerite je li čista i da se u njoj ne nalaze čestice hrane.

Pohranite je na suhomo mjestu kao što je stol, radna površina ili kuhinjski ormarić.



## OTKLANJANJE POTEŠKOĆA

Ako imate poteškoća s uređajem, primijenite upute u nastavku.

Friteza na vrući zrak ne radi.	Uređaj nije priključen na napajanje ili nije uključen.	Provjerite je li utikač napajanja priključen u strujnu utičnicu i je li uređaj uključen.
	Nije podešeno vrijeme ili temperatura.	Podesite vrijeme i temperaturu te pritisnite <b>START/CANCEL</b> .
	Unutarnja posuda nije pravilno učvršćena u uređaju.	Pritisnite unutarnju posudu u uređaj tako da „klikne“.
Hrana nije dovoljno pržena.	Previše je hrane u košari za prženje.	Hranu u košaru za prženje stavljajte u manjim količinama. Manje količine prže se ravnomjernije.
	Podešena je preniska temperatura.	Podesite temperaturu na potrebnu postavku.
	Prekratko vrijeme kuhanja.	Podesite mjerač vremena na odgovarajuće vrijeme.
Jelo nije hrskavo kad se izvadi iz friteze na vrući zrak.	Upotrijebili ste namirnice koje su predviđene za pripremu u uobičajenoj fritezi.	Upotrijebite namirnice koje se inače peku u pećnici ili lagano premažite namirnice s malo ulja kako bi nakon prženja bile hrskavije.
Unutarnja posuda i košara za prženje teško se umeću u uređaj ili se uopće ne mogu umetnuti.	Previše je hrane u košari za prženje.	Nemojte prepunjavati košaru za prženje.
	Košara za prženje nije pravilno postavljena u unutarnju posudu.	Pritisnite košaru za prženje prema dolje u unutarnju posudu tako da začujete „klik“.
Iz uređaja izlazi bijeli dim.	Pripremate masne sastojke.	Kada u fritezi na vrući zrak pržite masne sastojke, u posudu će iscuriti velika količina ulja. To ulje može uzrokovati pojavu bijelog dima, a posuda se može zagrijati više nego obično. To ne utječe na rad uređaja, kao ni na krajnji rezultat.
	U posudi se još uvijek nalaze ostaci masnoće od prethodne upotrebe.	Bijeli dim uzrokuje masnoća koja se zagrijava u unutarnjoj posudi. Nakon svake upotrebe dobro očistite košaru za prženje i unutarnju posudu.
Svježi pomfrit neravnomjerno se prži.	Niste upotrijebili odgovarajuću vrstu krumpira.	Upotrijebite svježi krumpir i pripazite da ostane nepomičan tijekom prženja.
	Niste pravilno isprali komade krumpira prije prženja.	Dobro isperite komade krumpira kako biste s njihove vanjske strane uklonili škrob.
Svježe prženi pomfrit nije hrskav kad se izvadi iz uređaja.	Hrskavost pomfrita ovisi o vrsti i količini ulja i vode u krumpirićima.	Dobro osušite komade krumpira prije nego što dodate ulje.
		Razrežite krumpir u tanje komade kako biste postigli veću hrskavost.
		Za veću hrskavost dodajte malo više ulja.

Ako i dalje budete imali poteškoća, obratite se pozivnom centru tvrtke SHARP navedenom na početku ovog Korisničkog priručnika.



### Figyelem:

A terméket ezzel a jelöléssel látták el.

Ez azt jelenti, hogy a használt elektromos és elektronikus termékeket nem szabad az általános háztartási hulladékkal keverni. Ezekhez a termékekhez külön hulladékgyűjtő rendszer üzemel.



[www.sharpconsumer.com/contact/](http://www.sharpconsumer.com/contact/)



[www.sharpconsumer.com/support/](http://www.sharpconsumer.com/support/)



[www.sharpconsumer.com/documents-of-conformity/](http://www.sharpconsumer.com/documents-of-conformity/)

## A. Hulladék-elhelyezési tájékoztató lakossági felhasználók részére (magán háztartások)

### 1. Az Európai Unióban

Figyelem: Ha a készüléket ki akarja selejtezni, kérjük, ne a közönséges szemeteskukába helyezze!

A használt elektromos és elektronikus berendezéseket külön, a használt elektromos és elektronikus berendezések szabályszerű kezeléséről, visszanyeréséről és újrahasznosításáról rendelkező jogszabályokkal összhangban kell kezelni.

A tagállamok általi végrehajtást követően az EU államokon belül a magán háztartások használt elektromos és elektronikai berendezéseiket díjmentesen juttathatják vissza a kijelölt gyűjtőlétesítményekbe\*.

Egyes országokban\* a helyi kiskereskedés is díjmentesen visszaveheti Öntől a régi terméket, ha hasonló új terméket vásárol.

\*) A további részletekről, kérjük, érdeklődjön a helyi önkormányzatnál.

Ha használt elektromos vagy elektronikus berendezésében elemek vagy akkumulátorok vannak, kérjük, előzetesen ezeket selejtezze ki a helyi előírásoknak megfelelően. A termék szabályszerű kiselejtezésével Ön segít biztosítani azt, hogy a hulladék keresztülmenjen a szükséges kezelésen, visszanyerési és újrahasznosítási eljáráson. Ezáltal közreműködik a lehetséges káros környezeti és humán egészségügyi hatások megelőzésében, amelyek ellenkező esetben a helytelen hulladékkezelés következtében előállhatnak.

### 2. Az EU-n kívüli egyéb országokban

Ha a terméket ki szeretné selejtezni, kérjük, forduljon a helyi önkormányzathoz, és érdeklődjön a helyes hulladék-elhelyezési módszerről.

Svájcban: A használt elektromos vagy elektronikus készülékeket térítés nélkül visszaveszik a kereskedők, akkor is ha nem vásárol új terméket.

További begyűjtő helyeket a következő honlapokon talál: [www.swico.ch](http://www.swico.ch) vagy [www.sens.ch](http://www.sens.ch).

## B. Hulladék-elhelyezési tájékoztató vállalati felhasználók részére

### 1. Az Európai Unióban

Ha a terméket üzleti célokra használta, és ki kívánja selejtezni:

Kérjük, forduljon a SHARP kereskedéshez, ahol tájékoztatják Önt a termék visszavételéről. Lehetséges, hogy a visszavételből és az újrahasznosításból eredő költségeket felszámítják. Előfordulhat, hogy a helyi hulladékbegyűjtő létesítmény átveszi a kisebb termékeket (és kis mennyiségeket).

Spanyolországban: Kérjük, használt készülékének visszaszolgáltatásával kapcsolatban vegye fel a kapcsolatot a kiépített begyűjtési hálózattal vagy helyi önkormányzatával.

### 2. Az EU-n kívüli egyéb országokban

Ha a terméket ki szeretné selejtezni, kérjük, forduljon a helyi önkormányzathoz, és érdeklődjön a helyes hulladék-elhelyezési módszerről.


# TARTALOMJEGYZÉK

BIZTONSÁGI ELŐÍRÁSOK.....	3
MŰSZAKI JELLEMZŐK .....	7
OLAJ NÉLKÜLI SÜTŐ ÉS TARTOZÉKOK.....	8
VEZÉRLŐPANEL .....	9
AZ OLAJ NÉLKÜLI SÜTŐ HASZNÁLATA ELŐTT .....	9
HASZNÁLATI ÚTMUTATÓ.....	10
Automatikus sütés .....	10
Felolvasztás és sütés.....	11
Előmelegítés.....	12
TÁRCSAGOMB.....	13
KARBANTARTÁS HASZNÁLAT KÖZBEN .....	13
TISZTÍTÁSI ÚTMUTATÓ .....	13
TÁROLÁS .....	13
HIBAELHÁRÍTÁS.....	14

## BIZTONSÁGI ELŐÍRÁSOK

**Elektromos készülékek használatakor mindig be kell tartani az alapvető biztonsági előírásokat, beleértve az alábbiakat is:**

- Ne hagyja felügyelet nélkül a gyerekeket, NEHOGY játszani kezdjenek a készülékkel.
- A készülék használatát nem ajánljuk a csökkent fizikai, érzékelési és szellemi képességekkel rendelkező személyeknek (ideértve a gyerekeket is), illetve a hasonló készülékek használatában teljességgel járatlan személyeknek – kivéve, ha a készülék fenti személyek általi használatát egy biztonságukért felelős személy felügyeli vagy irányítja.
- Tisztítsa meg az olaj nélküli sütő kosarát és a belső tálát nedves, szappanos ruhával. Kizárólag enyhén szappanos vizet használjon.
- NE tisztítsa fémszálalás dörzsszivaccsal. A szivacsról kis darabkák válhatnak le, és hozzáérhetnek az elektromos alkatrészekhez, ami elektromos áramütés kockázatával jár. A felületek szintén sérülhetnek.
- Tárolás vagy használat előtt törölje szárazra a készüléket és az összes tartozékát puha ruhával.
- Ha a kosáron vagy a belső tálon nehezen eltávolítható szennyeződések találhatók, tisztítás előtt hagyja őket meleg vízben ázni kb. 10 percre.
- A sütőkosár és a belső tál mosogatógépben tisztítható.
- Sütéskor NE helyezzen túl sok ételt a kosárba. A túltöltés személyi sérülést, a készülék sérülését okozhatja, vagy megakadályozhatja annak biztonságos használatát.
- NE töltsön olajat vagy más folyadékot a belső tálba.
- Ezt a készüléket NE használja olajsütésre.
- Egészségének megőrzése érdekében gondosan készítse elő az ételt és jól süsse át.

- Az étel nem érhet hozzá a fűtőszálakhoz.
- Használat előtt MINDIG győződjön meg róla, hogy a készülék megfelelően van összeszerelve.
- NE helyezze a következő anyagok egyikét sem az olaj nélküli sütőbe: karton, műanyag, papír vagy ezekhez hasonló egyéb anyagok.
- NE tároljon a mellékelt tartozékokon kívül más egyéb anyagokat az olaj nélküli sütőben, amikor az használaton kívül van.
- NE használja a készüléket a rendeltetésszerű használattól eltérő célra.
- NE használja a szabadban.
- Ha a termékkel kapcsolatban bármilyen tanácsra van szüksége, forduljon a Sharp ügyfélszolgálatához.
- A készüléket mindig a megfelelő fogantyúknál fogva tartsa, és a hő ellen használjon védőfelszerelést, például kesztyűt vagy edényfogókat.
- Olvassa végig az összes utasítást, hogy alaposan megismerje az olaj nélküli sütő működését. NE érintse meg a forró felületeket, ahol lehetséges használja a fogantyúkat vagy a beállítógombokat (modelltől függően).
- Kizárólag a készülékhez mellékelt tartozékokat használjon, egyéb tartozékok használata kockázatos és sérülést okozhat.
- Ez a készülék KIZÁRÓLAG HÁZTARTÁSI CÉLRA KÉSZÜLT.
- A belső tál padlóra esésének megakadályozása érdekében helyezze azt egy stabil felületre, mielőtt a sütőkosarat kiemelné.
- Gondoskodjon róla, hogy használat közben a fogantyú ön felé nézzen.
- FIGYELEM: A  szimbólum azt jelenti, hogy a KÉSZÜLÉK FELÜLETEI HASZNÁLAT KÖZBEN ÉS UTÁN FORRÓAK, NE ÉRINTSE MEG a forró felületeket.
- A készülék működése közben NE takarja el a szellőzőnyílásokat, melyeken a levegő ki és be áramlik.

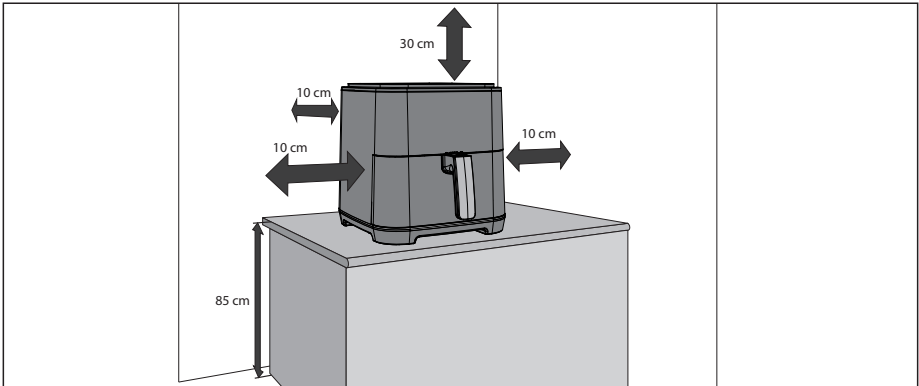
---

Ez még a sütést is megakadályozza, és károsíthatja a készüléket, vagy annak túlmelegedését okozhatja.

- Sütés közben vagy közvetlenül utána NE érintse meg a tartozékokat.
- Ha a készülékben forró étel van, különösen óvatosan járjon el. A nem megfelelő használat személyi sérülést okozhat.
- Használat után hagyja a készüléket megfelelő ideig lehűlni.
- Tisztítás előtt hagyja lehűlni az olaj nélküli sütőt.
- FIGYELEM: Az olaj nélküli sütő használat közben felforrósodik, és bizonyos felületei magas hőmérsékletre hevülnek, ez égési sérülést okozhat, ezért óvatosan kezelje ezt a készüléket.
- A forró felületeknek, az olaj nélküli sütőkosarának, a belső tálnak és az ételeknek a megérintése előtt vegyen fel szigetelt edényfogó kesztyűt.
- A készülék használatakor gondoskodjon róla, hogy a levegő megfelelő áramlása érdekében elegendő távolság legyen a készülék fölött és minden oldalánál. Használat előtt mindig győződjön meg róla, hogy a belső tál megfelelően le van zárva.
- NE engedje, hogy az elektromos kábel a munkafelület szélén túl belógjon, vagy hozzáérjen a forró felületekhez.
- NE használja a készüléket, ha az elektromos vezeték vagy annak csatlakozója sérült, vagy ha a készülék hibásan működik, vagy bármilyen módon sérült.
- NE cserélje ki vagy módosítsa az elektromos kábelt vagy annak csatlakozóját.
- NE használjon hosszabbítókábelt.
- Győződjön meg róla, hogy az olaj nélküli sütő használatakor az elektromos aljzat/kapcsoló hozzáférhető.
- Az olaj nélküli sütőt ne működtesse külső időzítő vagy önálló távirányító rendszer segítségével.
- Használaton kívül vagy tisztítás előtt húzza ki az elektromos kábelt.

- A csatlakozó konnektorból való kihúzásakor mindig a csatlakozót fogja, soha ne húzza a kábelt.
- Amikor már nem használja az olaj nélküli sütőt, nyomja meg a STOP/CANCEL gombot a készenléti módba való visszatéréshez, majd húzza ki az elektromos csatlakozót.
- Az áramütés veszélyének elkerülése érdekében NE merítse az olaj nélküli sütőt vízbe vagy más folyadékba.
- Működés közben NE takarja el az olaj nélküli sütő egyetlen részét sem, mert ettől túl fog melegedni.
- NE helyezze az olaj nélküli sütőt semmilyen forró felületre, forró gáz/elektromos égők közelébe vagy forró sütőbe.
- Az olaj nélküli sütő használatakor hagyjon legalább 100 mm helyet minden oldalon a levegő megfelelő áramlásának biztosításához.

**TARTSA BIZTONSÁGOS HELYEN EZT AZ ÚTMUTATÓT, HOGY KÉSŐBB BELENÉZHESSEN.**



# MŰSZAKI JELLEMZŐK

<b>Modell neve</b>	<b>GS404A</b>
Olaj nélküli sütő (W)	1300
Olaj nélküli sütő hőmérsékletei (Celsius fok)	80 °C – 200 °C
8 automatikus program	Sültburgonya, marhahús, zöldségek, kis csirke, bacon, hal, burgonya, pizza
2 funkció	Előmelegítés, felolvasztás és sütés
Kapacitás (liter)	4,0
Vezérlőlap	Digitális, elforgatható gombbal
Sütőkosár bevonata	Tapadásmentes
Sütőkosár mérete (átmérő x magasság mm-ben)	Ø190 x 50
Belső tál bevonata	Tapadásmentes
Belső tál mérete (átmérő x magasság mm)	200 x 120
Elektromos vezeték hossza (mm)	900
Zajszint (dB)	55 – 62
Teljesítményfelvétel (W)	1300
Áramfelvétel	220–240 V 50 Hz
Készüléti teljesítményfelvétel (W)	<0.5
Méret (Szé x Ma x Mé mm)	261 x 338 x 327
Tömeg (kg)	4,5

Ez a termék megfelel az Egyesült Királyság és az EU vonatkozó szabályozásának és szabványainak.

FOLYAMATOS TERMÉKFEJLESZTÉSI POLITIKÁNK RÉSZÉKÉNT FENNTARTJUK A MŰSZAKI ADATOK ÉS KIVITELEZÉS ELŐZETES BEJELENTÉS NÉLKÜLI MEGVÁLTOZTATÁSÁNAK JOGÁT.



# OLAJ NÉLKÜLI SÜTŐ ÉS TARTOZÉKOK

**Első használat előtt ismerkedjen meg az olaj nélküli sütő következő funkcióival és tartozékaival:**

**Belső tál:** Helyezze a sütőkosarat a belső tálba, majd a belső tálat az olaj nélküli sütőbe.

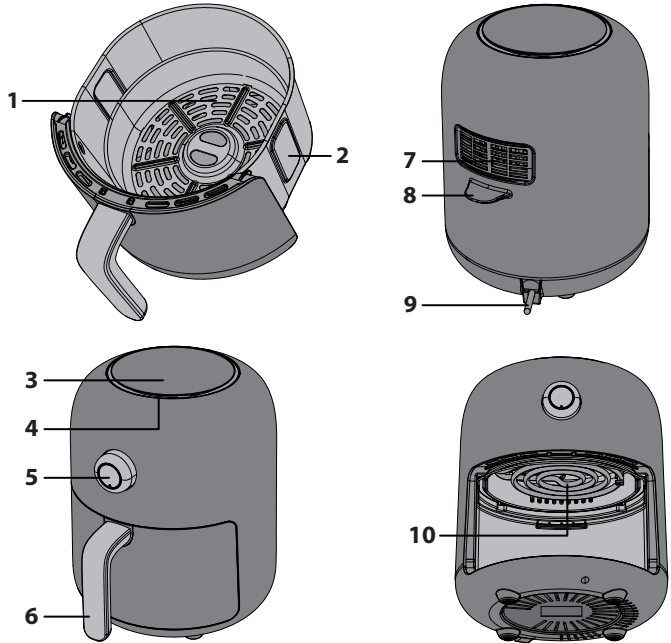
**Sütőkosár:** Helyezze az ételt a sütőkosárba, majd a sütőkosarat a belső tálba a sütéshez.

**Megjegyzés:** a belső tál padlóra esésének megakadályozása érdekében a sütőkosár kiemelése előtt helyezze a belső tálat egy stabil felületre.

**Légkimeneti szellőzőnyílás:** A szellőzőnyíláson főzés közben forró gőz távozik (ez normális), főzés közben tartsa arcát távol a szellőzőnyílástól, nehogy megégjen.

**Fogantyú:** Ezzel lehet a belső tálat és a sütőkosarat az olaj nélküli sütőbe helyezni és onnan eltávolítani.

1. Olaj nélküli sütő
2. Belső tál
3. Vezérlőlap
4. Légbemenet
5. Léptetőgomb
6. Sütőkosár fogantyúja
7. Légkimeneti nyílás
8. Fogantyú
9. Elektromos vezeték
10. Fűtőszál



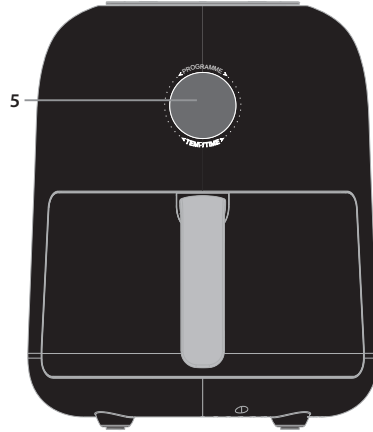
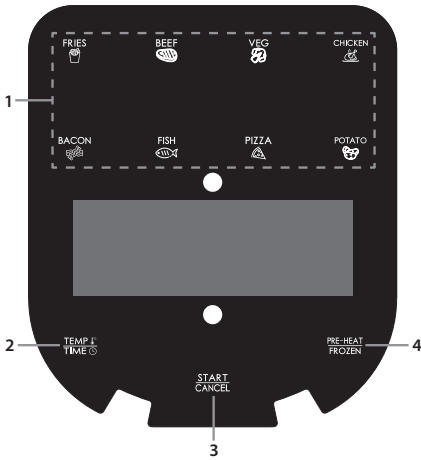
## LÉGÁRAMLÁS IRÁNYA

Sütéskor a fűtőszáltól indulva a forró levegő az alábbi ábra szerint áramlik körbe. Ez biztosítja, hogy az étel a beállított hőmérsékleten és idő alatt egyenletesen átsüljön. Ne gátolja semmilyen anyaggal, például alufóliával, a levegő áramlását, és ne tegyen túl sok ételt a sütőkosárba.



# VEZÉRLŐPANEL

1. **Automatikus sütés gombjai** – Automatikus sütőprogramok, 8 lehetőség közül választhat.
2. **Temperature/Time (Hőmérséklet/Ldő)** – A hőmérséklet és az idő manuális beállítása.
3. **Start/Cancel (Indítás/Leállítás)** – Az olaj nélküli sütő bekapcsolása vagy működésének leállítása/szüneteltetése.
4. **Pre-Heat/Frozen (Előmelegítés/Fagyasztott)** – Az olaj nélküli sütő előmelegítése a megfelelő sütési hőmérsékletre vagy fagyasztott étel sütése.
5. **Forgatható gomb** – Az idő és a hőmérséklet beállításához.



# AZ OLAJ NÉLKÜLI SÜTŐ HASZNÁLATA ELŐTT

Az olaj nélküli sütő használatba vétele előtt ajánlott, hogy a teljes kicsomagolás, valamint a belső tál és a sütőkosár csomagolóanyagának eltávolítása után a belső tálat és a sütőkosarat forró szappanos vízzel vagy mosogatógépben mossa el. Ezután alaposan szárítsa meg az összes tartozékot, és szerelje vissza az olaj nélküli sütőbe. Használat előtt törölje át a külső burkolatot és a belső részeket nedves ruhával és szárítsa meg.

Csatlakoztassa a hálózati áramforráshoz, és állítsa be a készüléket sült krumpli sütésére (ne tegyen semmilyen ételt a készülékbe). Ezáltal a készülék 23 percre 180°C-ra bekapcsol, így a gyártás során a fűtőelemre tapadt maradványok eloszanak.

Használat előtt ajánlatos ennek az útmutatónak a végig olvasása.

# HASZNÁLATI ÚTMUTATÓ

**Az olaj nélküli sütője többféle üzemmóddal is rendelkezik:**

**Automatikus sütés** – válassza ki a 8 előre programozott sütési mód egyikét.

**Felolvasztás és sütés** – Fagyasztott étel felolvasztása és sütése (csak zöldségek, pizza és sültburgonya).

**Előmelegítés** – Sütés előtt melegítse fel az olaj nélküli sütőt a megfelelő hőmérsékletre.

## Sütési megjegyzések

- Az étel mennyisége nem lehet több, mint a sütőkosár méretének 4/5 része.
- Sütés közben a sütési hőmérséklet és idő módosítható.
- A főzés szüneteltetéséhez húzza ki a belső edényt a készülékből; ha visszatolja, a készülék automatikusan elindul.
- A sütés befejezéséhez nyomja meg kétszer a „**START/CANCEL**” gombot.
- Egyes ételeket a főzés során meg kell keverni/rázni: Húzza ki a belső edényt a készülékből, szükség szerint keverje/rázza meg, majd helyezze vissza a belső edényt a légsütőbe; a légsütő automatikusan újraindul.
- Győződjön meg róla, hogy az étel megfelelően megsült. Ha az étel nincs megsülve, akkor süsse hosszabb ideig az olaj nélküli sütőben.
- A belső tál padlóra esésének megakadályozásához, mielőtt kiemelné a kosarat, helyezze a belső tálat egy stabil és hőálló felületre.
- Ebben az olaj nélküli sütőben csak ételt süssön.
- Olajban sütéshez NE HASZNÁLJA.

## Automatikus sütés

Az Ön kényelme érdekében 8 automatikus sütési programból választhat. Ezeket könnyedén elérheti a vezérlőpanelen található nyomógombjaikkal.

Az alábbi példában marhahúst sütünk. A hőmérsékletet és az időt nem szükséges beállítani, csak ha jobban vagy kevésbé jól szeretné átsütni az ételt.



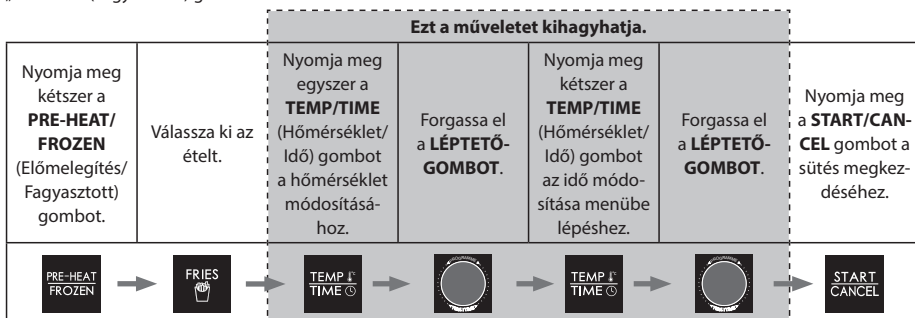
1. Egyenletesen ossza el a sütni kívánt ételt a sütőkosárban.
2. Helyezze a sütőkosarat a belső tábla. Helyezze a belső tálat az olaj nélküli sütőbe.
3. Dugja be az olaj nélküli sütőt az elektromos aljzatba.
4. Válassza ki a kívánt ételt az automatikus sütés gomb megnyomásával a vezérlőpanelen. Az alapértelmezett hőmérséklet és idő villogni fog a LED-kijelzőn.
  - a. Szükség esetén nyomja meg egyszer a „**TEMP/TIME**” (Hőmérséklet/Idő) gombot, majd a kívánt sütési hőmérséklet beállításához forgassa el a **LÉPTETŐGOMBOT**.
  - b. Szükség esetén nyomja meg kétszer a „**TEMP/TIME**” (Hőmérséklet/Idő) gombot, majd a kívánt sütési idő beállításához forgassa el a **LÉPTETŐGOMBOT**.
5. Nyomja meg egyszer a „**START/CANCEL**” gombot a sütés megkezdéséhez; elkezd visszaszámolni az időt.
6. A sütés befejeződésekor az olaj nélküli sütő hangjelzést ad, és a készülék visszaáll készenléti módba.
7. Óvatosan húzza ki a belső tálat, ezután azonnal vegye ki az ételt az olaj nélküli sütő kosarából, különben a sütő magas hőmérséklete tovább süti és kiszáradja az ételt.

**Megjegyzés:** Ha az automatikus sütésnél módosítja a hőmérsékletet, a maximális hőmérsékletet legfeljebb 30%-kal emelheti. Ez azért van így, nehogy megégesse az ételt.

Étel	Tömeg	Étel kezdeti hőmérséklete	Főzés ideje	Maximális többletidő	Átfordítás	Sütési idő fagyott állapotból	Hőmérséklet	Megjegyzések
Sültburgonya	200 g - 500 g	Szobahőmérséklet	15 – 20	23	igen	26	180	Do not overload the pot.
Marhahús	150 g - 500 g		8 – 12	16	igen	-	200	Akár 270g marhaszeletet is készíthet
Zöldség	100 g - 400 g		10	13	igen	14	190	Cut up vegetables into pieces 2 x 3cm.
Csirke	800 g - 1000 g		30	39	igen	-	190	Egész csirke vagy nagy darabok
Bacon szalonna	4–6 szelet		9	12	-	-	180	Egyenletesen ossza el a szalonnaszleteket a sütőkosárban.
Hal	100 g - 500 g		12	16	igen	-	200	Place fish pieces directly onto the base of the frying basket.
Burgonya	Egyenként 250 g		40	52	igen	-	200	Helyezzen akár 3 db 250g-os burgonyát a sütőkosárba.
Pizza	100 g - 400 g		13	17	-	18	160	Place whole or pizza pieces directly in the frying basket.

## Felolvasztás és sütés

A fagyasztott alapanyag sütéséhez kövesse az automatikus sütéshez megadott utasításokat, de először nyomja meg a „**FROZEN**” (Fagyasztott) gombot.



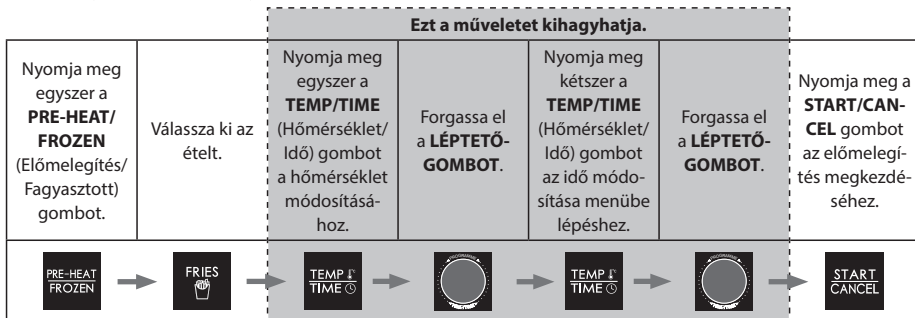
- Egyenletesen ossza el a sütni kívánt ételt a sütőkosárban.
- Helyezze a sütőkosarat a belső tábla. Helyezze a belső tálat az olaj nélküli sütőbe.
- Dugja be az olaj nélküli sütőt az elektromos aljzatba.
- Nyomja meg kétszer a „**PRE-HEAT/FROZEN**” (Előmelegítés/Fagyasztott) gombot.
- Válassza ki a kívánt funkciót a vezérlőpanel funkciógombjának megnyomásával. Az alapértelmezett hőmérséklet és idő villogni fog a LED-kijelzőn.
  - Szükség esetén nyomja meg egyszer a „**TEMP/TIME**” (Hőmérséklet/Ldő) gombot, majd a kívánt sütési hőmérséklet beállításához forgassa el a **LÉPTETŐGOMBOT**.
  - Szükség esetén nyomja meg kétszer a „**TEMP/TIME**” (Hőmérséklet/Ldő) gombot, majd a kívánt sütési idő beállításához forgassa el a **LÉPTETŐGOMBOT**.
- Nyomja meg egyszer a „**START/CANCEL**” gombot a sütés megkezdéséhez; elkezdí visszaszámlálni az időt.
- A sütés befejeződésakor a készülék hangjelzést ad, és visszatér készlenléti módba.
- Nyomja meg a nyitógombot, óvatosan húzza ki a belső tálat a fogantyújánál fogva, és vegye ki az ételt.

A felolvasztás és sütés csak **SÜLTBURGONYA**, **ZÖLDSÉGEK** és **PIZZA** esetében lehetséges.

Más fagyasztott ételek sütéséhez, kérjük, tekintse meg a manuális sütésre vonatkozó tanácsunkat.

## Előmelegítés

Az olaj nélküli sütő sütés előtti megfelelő hőmérsékletének eléréséhez kapcsolja be az előmelegítési funkciót, amely használható az automatikus és a manuális sütési funkcióhoz. Csak annyit kell tennie, hogy megnyomja az előmelegítés gombot egyszer, mielőtt bármilyen más funkciót kiválasztana.



- Helyezze a sütőkosarat a belső táliba. Helyezze a belső tálat az olaj nélküli sütőbe.
- Dugja be az olaj nélküli sütőt az elektromos aljzatba.
- Nyomja meg egyszer a **PRE-HEAT/FROZEN** (Előmelegítés/Fagyasztott) gombot.
- Válassza ki a kívánt ételt a megfelelő automatikus sütés gomb megnyomásával a vezérlőpanelen. Az alapértelmezett hőmérséklet és idő villogni fog a LED-kijelzőn.
  - Szükség esetén nyomja meg egyszer a „**TEMP/TIME**” (Hőmérséklet/Idő) gombot, majd forgassa el a **LÉPTETŐGOMBOT** a megfelelő sütési hőmérséklet beállításához.
  - Szükség esetén nyomja meg kétszer a „**TEMP/TIME**” (Hőmérséklet/Idő) gombot, majd a kívánt sütési idő beállításához forgassa el a **LÉPTETŐGOMBOT**.
- Nyomja meg a „**START/CANCEL**” gombot.
- Amikor a készülék eléri a megfelelő előmelegítési hőmérsékletet, hangjelzést ad.
- Vegye ki a belső tálat, és egyenletesen ossza el a sütni kívánt ételt a sütőkosárban.
- Helyezze vissza a belső tálat/sütőkosarat az olaj nélküli sütőbe.
- A légsütő automatikusan elindul, és az idő visszaszámol.
- A sütés befejeződésekor a készülék hangjelzést ad, és visszatér készenléti módba.
- Húzza ki a belső edényt, és ne feledje, hogy óvatosan bánjon vele, és azonnal vegye ki az ételt a légsütőkosárból, különben a légsütőben maradt hő tovább süssi és kiszáradja az ételt.

## TÁRCSAGOMB

Az olaj nélküli sütőn található tárcsagomb több funkció, néhány ezek közül megegyezik a vezérlőpanel gombjaival. Amikor bedugja az olaj nélküli sütőt a konnektorba, az funkcióbeállítási módba lép, és megjeleníti a hőmérsékletet és az időt az első automatikus programozási módban.

A kívánt automatikus menü kiválasztásához forgassa el a gombot, majd nyomja meg a gomb közepét a villogó menünev megerősítéséhez. Ha a kijelzőn megjelenő hőmérséklet és idő megfelelő, nyomja meg a felső vezérlőpanelen a **START/CANCEL** gombot a sütés megkezdéséhez.

Szükség esetén beállíthatja a kiválasztott menü sütési hőmérsékletét és sütési idejét is, mielőtt megnyomná a **START/CANCEL** gombot a sütés megkezdéséhez.

1. Nyomja meg a gombot, és villogni kezd a hőmérséklet-kijelző.
2. Fogassa el a gombot a kívánt sütési hőmérséklet beállításához.
3. Nyomja meg a gombot a hőmérséklet-beállítás megerősítéséhez. Villogni kezdenek az időt jelző számok.
4. Forgassa el a gombot a kívánt sütési idő beállításához.
5. Nyomja meg a gomb közepét a sütési folyamat elindításához.

A sütés félbeszakításához nyomja meg a gomb közepét.

## KARBANTARTÁS HASZNÁLAT KÖZBEN

Ez a készülék használat közben kevés karbantartást igényel. Az élettartamának meghosszabbításához tisztítsa meg az olaj nélküli sütőt minden használat után.

Ez az olaj nélküli sütő nem tartalmaz javítható alkatrészeket. Ne próbálja meg saját maga megjavítani. Abban a nem túl valószínű esetben, ha meghibásodna, forduljon a SHARP ügyfélszolgálatához a Használati útmutató elején található elérhetőségeken.

## TISZTÍTÁSI ÚTMUTATÓ

**FIGYELEM:** Az áramütés elkerülése érdekében **NE MERÍTSE AZ OLAJ NÉLKÜLI SÜTŐT VÍZBE, SEM BÁRMILYEN MÁS FOLYADÉKBA.**

A legjobb teljesítmény és a hosszú élettartam elérése érdekében rendszeresen tisztítsa meg az olaj nélküli sütőt. Rendszeres tisztítással a tűzveszélyt is csökkenti. A tisztításhoz kövesse az alábbi utasításokat:

1. Húzza ki a csatlakozót az elektromos aljzatról. Hagyja lehűlni az olaj nélküli sütőt.
2. Tisztítsa meg az olaj nélküli sütőt és a belső tálat nedves, szappanos ruhával. Csak enyhén szappanos vizet használjon. Ha a kosáron vagy a belső tálon található szennyeződések túl nehezen tisztíthatók, hagyja őket meleg vízben ázni körülbelül 10 percig.
3. Tisztítsa meg a fűtőszálakat, majd törölje szárazra őket puha ruhával.
4. Törölje le az olaj nélküli sütő külső burkolatát puha, nedves ruhával, majd szárítsa meg.

**FIGYELEM:** Ne használjon dörzshatású tisztító szereket sem bármilyen más típusú karcoló anyagokat a sütőkosár és a belső tál felületén. Csak enyhén szappanos vizet használjon. A dörzshatású tisztítószerek, dörzskéfék és vegyi tisztítószerek károsítják a készülék felületeit.

Az ajánlott tisztításon kívül további felhasználói karbantartásra nincs szükség. Minden más karbantartást hivatalos szervizszakembernek kell elvégeznie.

## TÁROLÁS

Húzza ki a készüléket, hagyja lehűlni, majd tárolás előtt tisztítsa meg. Az olaj nélküli sütőt a dobozában, tiszta, száraz helyen tárolja. Soha ne tárolja a készüléket forró állapotban, vagy amíg be van dugva. Soha ne tekerje a kábelt szorosan az olaj nélküli sütőre. Ne feszítse meg a kábelt azon a helyen, ahol be van vezetve a készülékbe, mert az a kábel kirojtosodását és szakadását okozhatja.

Ha hosszú ideig tárolja az olaj nélküli sütőt, győződjön meg róla, hogy a sütő tiszta, és nincsenek benne ételmaradványok. Tartsa az olaj nélküli sütőt száraz helyen, például egy asztalon vagy pulton vagy konyhaszékreny polcán.

# HIBAELHÁRÍTÁS

Ha problémákat tapasztal az olaj nélküli sütővel, kövesse az alábbi utasításokat.

Az olaj nélküli sütő nem működik	A készülék nincs bedugva, vagy ki van kapcsolva.	Győződjön meg róla, hogy a csatlakozó dugója be van dugva a fali konnektorba, és be van kapcsolva.
	Nem állította be az időt vagy a hőmérsékletet.	Állítsa be az időt és a hőmérsékletet, majd nyomja meg a „ <b>START/CANCEL</b> ” gombot.
	A belső tál nincs kattanásig benyomva a készülékbe.	Nyomja be a belső tálat az olaj nélküli sütőbe kattanásig.
Az olaj nélküli sütőben a hozzávalók nem sülték át.	Túl sok étel van a sütőkosárban.	Helyezzen kevesebb hozzávalót a sütőkosárba. A kisebb adagok egyenletesebben sültnek.
	A beállított hőmérséklet túl kicsi.	Állítsa a hőmérsékletet a megfelelő értékre.
	A sütési idő túl rövid.	Állítsa be az időt az elkészítéshez szükséges hosszúságúra.
A sült snackek túl ropogósak, amikor kivesszi őket az olaj nélküli sütőből.	Olyan típusú snacket próbált elkészíteni, amelyet hagyományos olajsütőben lehet megsütni.	Az olaj nélküli sütőben való elkészítésre szánt snackeket használjon, vagy kenje be vékonyan olajjal a snackeket, hogy ropogósabbra süljenek.
A belső tálát és a sütőkosarat nehezen vagy egyáltalán nem lehet megfelelően a készülékbe csúsztatni.	Túl sok étel van a sütőkosárban.	Ne helyezzen túl sok ételt a sütőkosárba.
	A sütőkosarat nem megfelelően helyezte be a belső tálba.	Nyomja le a sütőkosarat a belső tálban, amíg halk kattanást nem hall.
A készülékből fehér füst száll fel.	Zsíros hozzávalókat próbál elkészíteni.	Amikor zsíros hozzávalókat süt az olaj nélküli sütőben, nagy mennyiségű olaj szivárog a tepsibe. Ebből az olajból fehér füst szállhat fel, és a tepsij jobban felmelegedhet a szokásosnál. Ez a készülékre vagy a végeredményre nincs hatással.
	A tepsiben zsírlerakódások találhatók az előző sütésből.	A fehér füstöt a belső tálban felmelegedő zsír okozza; alaposan tisztítsa meg a sütőkosarat és a belső tálat minden használat után.
A friss sültburgonya nem egyenletesen sült át az olaj nélküli sütőben.	Nem a megfelelő burgonyát használta.	Használjon friss burgonyát, és győződjön meg róla, hogy nem ragadnak össze sütés közben.
	Sütés előtt nem tisztította meg megfelelően a burgonyahasábokat.	Öblítse le alaposan a burgonyahasábokat, hogy eltávolítsa a keményítőt a hasábok felületéről.
A friss sültburgonya nem ropogós, amikor kivesszi az olaj nélküli sütőből.	A sültburgonya ropogóssága a hasábokban lévő olaj és víz mennyiségétől és az olaj minőségétől függ.	Az olaj rápermetezése előtt törölje szárazra a burgonyahasábokat.
		Vágja vékonyabbra a hasábokat, hogy ropogósabbra süljenek.
		Adjon hozzá több olajat, hogy ropogósabbak legyenek.

Ha továbbra is problémákat tapasztal, forduljon a SHARP ügyfélszolgálatához a Felhasználói útmutató elején található elérhetőségeken.



### Attenzione:

Il vostro prodotto è contrassegnato con questo simbolo. Significa che prodotti elettrici ed elettronici usati non devono essere messi insieme ai rifiuti normali. C'è un sistema di raccolta separato per questi prodotti.



[www.sharpconsumer.com/  
contact/](http://www.sharpconsumer.com/contact/)



[www.sharpconsumer.com/  
support/](http://www.sharpconsumer.com/support/)



[www.sharpconsumer.com/  
documents-of-conformity/](http://www.sharpconsumer.com/documents-of-conformity/)

## A. Informazioni sullo smaltimento per gli utilizzatori (uso privato)

### 1. Nell'Unione europea

Attenzione: se si vuole disfarsi di questo apparecchio, non utilizzare la normale raccolta di rifiuti!

Apparecchi elettrici ed elettronici usati devono essere smaltiti separatamente e secondo la regolamentazione che richiede un trattamento specifico, il recupero e il riciclaggio di apparecchiature elettriche ed elettroniche.

Secondo le disposizioni degli stati membri, i privati possono restituire all'interno dell'UE i propri apparecchi elettrici ed elettronici usati per raccolte specifiche e senza costi\*.

In alcuni paesi\* il rivenditore locale può anche ritirare il vostro vecchio prodotto gratuitamente se ne comprate uno simile nuovo.

\*) Contattare le autorità locali per ulteriori dettagli.

Se l'attrezzatura elettrica o elettronica è dotata di batterie o accumulatori, smaltirla separatamente in anticipo rispettando le normative locali.

Smaltendo correttamente questo prodotto, fate in modo che i rifiuti subiscano il trattamento, il recupero e il riciclo adeguati; questo previene potenziali effetti negativi sull'ambiente e sulla salute, che potrebbero essere causati da uno smaltimento inappropriato.

### 2. In altri paesi al di fuori dell'UE

Se si vuole eliminare questo prodotto, contattare le autorità locali e chiedere quali siano le modalità per un corretto smaltimento.

Per la Svizzera: apparecchiature elettriche o elettroniche usate possono essere restituite senza costi al fornitore, anche se non si acquista un nuovo prodotto. Ulteriori agevolazioni per la raccolta sono elencate nella homepage di [www.swico.ch](http://www.swico.ch) o [www.sens.ch](http://www.sens.ch).

## B. Informazioni sul prodotto per utilizzatore business.

### 1. Nell'Unione europea

Se questo prodotto è utilizzato per scopi professionali e si desidera eliminarlo:

Contattare il fornitore SHARP, che vi informerà riguardo alle modalità di ritiro del prodotto. Potrebbero esservi addebitati dei costi derivati dal ritiro e dallo smaltimento. Piccoli prodotti (e piccole quantità) potrebbero essere ritirati dagli enti locali di raccolta.

Per la Spagna: contattare il sistema di raccolta ufficiale o le autorità locali per il ritiro dei prodotti usati.

### 2. In altri paesi al di fuori dell'UE

Se si vuole eliminare questo prodotto, contattare le autorità locali e chiedere quali siano le modalità per un corretto smaltimento.



# CONTENUTI


ISTRUZIONI DI SICUREZZA .....	3
SPECIFICHE .....	7
FRIGGITRICE AD ARIA E RELATIVI ACCESSORI.....	8
PANNELLO DI CONTROLLO .....	9
PRIMA DI UTILIZZARE LA FRIGGITRICE AD ARIA.....	9
ISTRUZIONI PER IL FUNZIONAMENTO .....	10
Cottura automatica.....	10
Cucinare alimenti congelati.....	11
Pre-riscaldamento.....	12
MANOPOLA DI CONTROLLO .....	13
MANUTENZIONE DURANTE L'USO .....	13
ISTRUZIONI PER LA PULIZIA.....	13
CONSERVAZIONE .....	14
RISOLUZIONE DEI PROBLEMI.....	14

---

## ISTRUZIONI DI SICUREZZA

**Quando si utilizzano apparecchiature elettriche, ci sono delle precauzioni di sicurezza basilari che devono essere sempre seguite, incluse le seguenti:**

- I bambini devono ricevere una adeguata supervisione per assicurare che non giochino con l'apparecchio.
- Questo apparecchio non è inteso per l'utilizzo da parte di persone (compresi bambini) con ridotte capacità fisiche, sensoriali o mentali, mancanza di esperienza e conoscenze, a meno che non siano state date loro supervisione o istruzioni riguardo l'utilizzo dell'apparecchio da parte di una persona responsabile della loro sicurezza.
- Pulire il cestello e la camera di cottura interna con un panno umido e insaponato. Assicurarsi di utilizzare solo acqua e sapone delicato.
- NON pulire con spugne abrasive. Potrebbero staccarsi dei pezzi dalla spugna e toccare le parti elettriche, con il rischio di scosse elettriche. Inoltre, la superficie potrebbe danneggiarsi.
- Asciugare l'unità e tutti i gruppi con un panno morbido prima di riporla o utilizzarla.
- Se sul cestello o sulla camera di cottura interna sono presenti macchie troppo difficili da pulire, lasciarle in ammollo in acqua calda per circa 10 minuti prima di pulirle.
- Il cestello e la camera di cottura interna possono essere lavati in lavastoviglie.
- NON riempire eccessivamente durante la cottura. Un riempimento eccessivo può causare danni a persone o cose o compromettere l'uso sicuro dell'apparecchio.
- NON utilizzare olio o altri liquidi nella camera di cottura interna.
- NON utilizzare questo apparecchio per friggere in olio abbondante.

- Assicurarsi che gli alimenti siano preparati e cotti correttamente per evitare eventuali pericoli per la salute.
- Evitare il contatto degli alimenti con gli elementi riscaldanti.
- Assicurarsi SEMPRE che l'apparecchio sia correttamente assemblato prima dell'uso.
- NON inserire nella friggitrice ad aria i seguenti materiali: cartone, plastica, carta o simili.
- NON riporre nella friggitrice ad aria materiali diversi dagli accessori in dotazione quando non è in uso.
- NON utilizzare l'apparecchio al di fuori degli usi per cui è concepito.
- NON utilizzare all'aperto.
- Per qualsiasi consiglio su questo prodotto, contattare il servizio di assistenza Sharp.
- Tenere l'apparecchio solo per le apposite maniglie e utilizzare misure di protezione dal calore come guanti o presine.
- Leggere tutte le istruzioni per assicurarsi di avere familiarità con il funzionamento di questa friggitrice ad aria. NON toccare le superfici calde; se possibile, utilizzare le maniglie o i comandi (a seconda del modello).
- Si sconsiglia l'uso di accessori non raccomandati in quanto questo potrebbe causare rischi o lesioni.
- Questo prodotto è destinato AL SOLO USO DOMESTICO.
- Per evitare che la camera di cottura interna cada a terra, metterla su una superficie stabile prima di sollevare il cestello della friggitrice.
- Durante l'uso, assicurarsi che la maniglia sia rivolta verso di sé.
- ATTENZIONE: Il segno  indica che LE SUPERFICI DELL'APPARECCHIO SONO CALDE DURANTE O DOPO L'USO. NON toccare le superfici calde.
- NON coprire la bocchetta di aspirazione o di scarico dell'aria mentre l'unità è in funzione. Ciò impedisce una

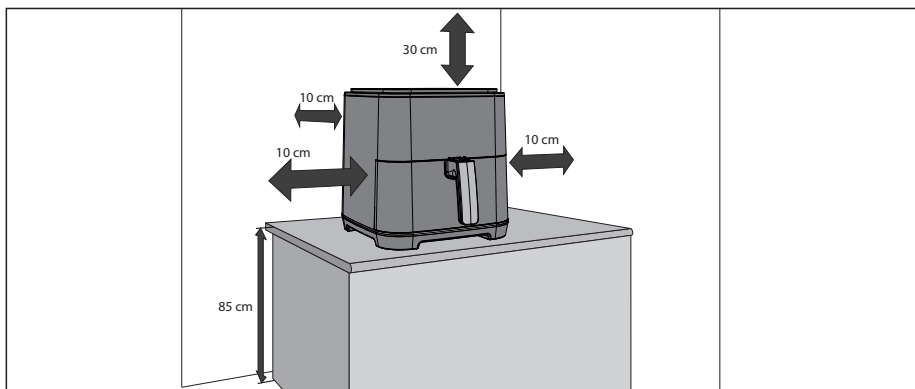
---

cottura uniforme e può danneggiare l'unità o causarne il surriscaldamento.

- NON toccare gli accessori durante o subito dopo la cottura.
- Quando l'apparecchio contiene cibi caldi, occorre prestare la massima attenzione. L'uso improprio può provocare lesioni personali.
- Lasciare riposare l'apparecchio dopo l'uso in modo che abbia il tempo sufficiente per raffreddarsi.
- Far raffreddare la friggitrice ad aria prima di pulirla.
- **AVVERTENZA:** Prestare attenzione poiché questa friggitrice ad aria si riscalda durante l'uso e alcune superfici possono sviluppare temperature elevate. Quando si percepiscono temperature elevate, questo apparecchio deve essere usato con attenzione.
- Indossare guanti protettivi isolati quando si toccano superfici calde o il cestello, la camera interna e gli alimenti.
- Quando si utilizza questo apparecchio, prevedere uno spazio adeguato sopra e su tutti i lati per la circolazione dell'aria. Assicurarsi SEMPRE che la camera di cottura interna sia ben chiusa prima di procedere.
- NON lasciare che il cavo di alimentazione penda sul bordo della superficie di lavoro o tocchi superfici calde.
- NON mettere in funzione l'apparecchio se il cavo di alimentazione o la spina sono in qualche modo danneggiati o se l'apparecchio ha subito un malfunzionamento o è stato danneggiato in altro modo.
- NON sostituire o modificare il cavo di alimentazione o la spina.
- NON utilizzare una prolunga.
- Assicurarsi che la presa/l'interruttore di rete siano accessibili quando la friggitrice ad aria è in uso.
- Questa friggitrice ad aria non è concepita per funzionare con un timer esterno o un sistema di controllo remoto separato.

- Scollegare la spina dalla rete elettrica quando non viene utilizzata o prima della pulizia.
- Quando si stacca la spina dalla rete elettrica, tenere sempre la spina e non tirare il cavo.
- Quando si smette di usare la friggitrice ad aria, premere il pulsante STOP/ANNULLA per tornare in modalità standby, quindi staccare la spina dalla rete elettrica.
- Per proteggersi dai rischi di scossa elettrica, NON immergere la friggitrice ad aria in acqua o in altri liquidi.
- NON coprire alcuna parte della friggitrice ad aria mentre è in funzione, per evitare che si surriscaldi.
- NON collocare la friggitrice ad aria su superfici calde, vicino a bruciatori a gas/elettrici caldi o in un forno riscaldato.
- Quando si utilizza la friggitrice ad aria, mantenere uno spazio di almeno 100 mm su tutti i lati per consentire un'adeguata circolazione dell'aria.

CONSERVARE QUESTE ISTRUZIONI IN UN LUOGO SICURO PER FUTURE CONSULTAZIONI



# SPECIFICHE

<b>Nome modello:</b>	<b>GS404A</b>
Potenza friggitrice ad aria (W)	1300
Livelli di temperatura della friggitrice ad aria (Celsius)	Da 80 °C a 200 °C
8 programmi automatici	patatine, manzo, verdure, pollo piccolo, pancetta, pesce, patate, pizza
2 funzioni	Pre-riscaldamento, Cucinare alimenti congelati
Capacità (litri)	4,0
Pannello di controllo	Digitale con manopola rotante
Rivestimento cestello da frittura	Antiaderente
Dimensioni cestello da frittura (diametro x altezza in mm)	Ø190 x 50
Rivestimento della camera di cottura interna	Antiaderente
Dimensioni camera di cottura interna (diametro x altezza in mm)	200 x 120
Lunghezza del cavo di alimentazione (mm)	900
Livello di rumore (dB)	55 - 62
Consumo energetico (W)	1300
Requisiti di alimentazione	220-240 V 50 Hz
Consumo energetico in standby (W)	<0.5
Dimensioni (L x A x P in mm)	261 x 338 x 327
Peso (kg)	4,5

Questo prodotto è conforme ai regolamenti e alle norme per il Regno Unito e la UE.

NEL QUADRO DELLA NOSTRA POLITICA DI MIGLIORAMENTO CONTINUO, LE SPECIFICHE TECNICHE POSSONO ESSERE MODIFICATE SENZA COMUNICAZIONE PREVENTIVA.

# FRIGGITRICE AD ARIA E RELATIVI ACCESSORI

**Acquisire familiarità con le funzioni della friggitrice ad aria e gli accessori che seguono prima del primo utilizzo:**

**Camera di cottura interna:** Posizionare il cestello dentro la camera di cottura interna, quindi inserire la camera interna nella friggitrice ad aria.

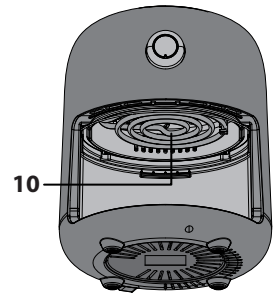
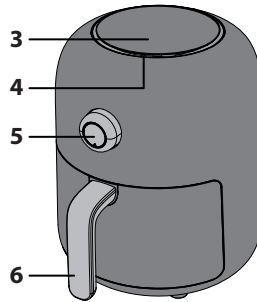
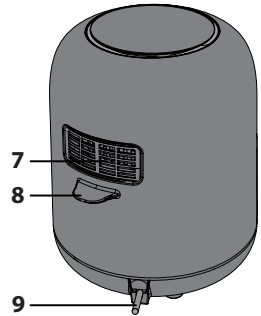
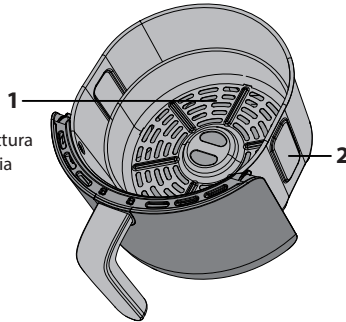
**Cestello per frittura:** Collocare gli alimenti nel cestello, quindi inserire il cestello nella camera di cottura interna.

**NOTA:** Per evitare che la camera di cottura interna cada a terra, metterla su una superficie stabile prima di sollevare il cestello della friggitrice.

**Bocchetta di scarico dell'aria:** Durante l'uso, dalla bocchetta di scarico dell'aria fuoriesce vapore caldo (è normale); per evitare scottature, tenere le mani e il viso lontano dalla bocchetta di scarico dell'aria durante la cottura.

**Maniglia:** Serve per inserire e rimuovere la camera interna e il cestello dalla friggitrice ad aria.

1. Cestello per frittura ad aria
2. Camera di cottura interna
3. Pannello di controllo
4. Aspirazione dell'aria
5. Jog Dial
6. Maniglia del cestello da frittura
7. Bocchetta di scarico dell'aria
8. Maniglia di trasporto
9. Cavo elettrico
10. Elemento riscaldante



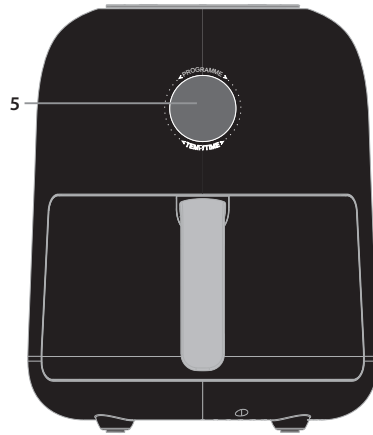
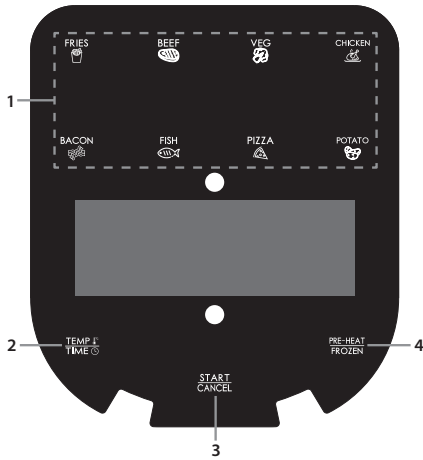
## DIREZIONE DEL FLUSSO D'ARIA

Durante la cottura, l'aria calda dell'elemento viene spostata come mostrato nella figura sottostante. In questo modo si garantisce una cottura uniforme degli alimenti alla temperatura e alla durata impostate. Non utilizzare materiali come fogli di alluminio che potrebbero ostruire il flusso d'aria o riempire eccessivamente il cestello.



## PANNELLO DI CONTROLLO

1. **Pulsanti di cottura automatica** – Programmi di cottura automatica, selezionare tra 8 opzioni.
2. **Temperatura/Tempo** – Usare questo pulsante per controllare manualmente la temperatura e il tempo.
3. **Avvio/Annulla** – Avviare il funzionamento della friggitrice ad aria o annullare/mettere in pausa il funzionamento.
4. **Pre-riscaldamento/Alimenti congelati** – Per pre-riscaldare la friggitrice ad aria secondo la temperatura di cottura corretta o cucinare gli alimenti congelati.
5. **Manopola dei comandi** – Si usa per regolare il tempo e la temperatura.



## PRIMA DI UTILIZZARE LA FRIGGITRICE AD ARIA

Prima di utilizzare la friggitrice ad aria per la prima volta, si consiglia di pulire la camera interna e il cestello in acqua calda e sapone o in lavastoviglie dopo averli disimballati e rimossi dall'imballaggio. Quindi asciugare accuratamente tutti gli accessori e rimontare la friggitrice ad aria. Pulire il corpo esterno e le parti interne con un panno umido e asciugare prima dell'uso.

Collegare la spina alla rete elettrica e impostare l'unità per la cottura delle patatine fritte (non inserire alcun alimento nell'unità). In questo modo l'unità si accenderà a 180°C per 23 minuti, consentendo di dissipare eventuali residui che potrebbero essersi attaccati all'elemento riscaldante durante la produzione.

Si consiglia di leggere attentamente queste istruzioni prima dell'uso.



# ISTRUZIONI PER IL FUNZIONAMENTO

**La friggitrice ad aria ha diverse modalità di funzionamento:**

**Cottura automatica** – selezionare una delle 8 opzioni di cottura pre-programmate.

**Cucinare alimenti congelati** – Cuocere gli alimenti congelati (solo verdure, pizza e patate).

**Pre-riscaldamento** – Per assicurarsi che la friggitrice ad aria sia alla temperatura corretta prima della cottura.

## Note sulla cottura

- La quantità di cibo non deve riempire più di 4/5 del totale del cestello della friggitrice.
- La temperatura e il tempo di cottura possono essere regolati durante la cottura.
- Per sospendere la cottura, estrarre la pentola interna dall'apparecchio; quando viene reinserita, l'apparecchio si avvia automaticamente.
- Per annullare la cottura, premere due volte il pulsante "**START/ANNULLA**".
- Alcuni alimenti dovranno essere mescolati/agitati durante la cottura: Estrarre la pentola interna dall'unità, mescolare/agitare come necessario e poi rimettere la pentola interna nella friggitrice ad aria; la friggitrice ad aria si riavvierà automaticamente.
- Assicurarsi che gli alimenti si sono cotti in modo corretto. Se non sono cotti, riattivare la friggitrice ad aria e cuocerli ancora.
- Per evitare che la camera di cottura interna cada a terra, metterla su una superficie stabile e resistente al calore prima di sollevare il cestello della friggitrice.
- In questa friggitrice ad aria cuocere solo alimenti.
- NON utilizzare per friggere in olio abbondante.

## Cottura automatica

Per agevolare l'utilizzatore, sono disponibili 8 programmi di cottura automatici. Questi sono facilmente accessibili tramite i pulsanti dedicati sul pannello di controllo.

Nell'esempio che segue, il manzo è in cottura. Non è necessario regolare la temperatura o il tempo a meno che non si desideri una cottura maggiore o minore.



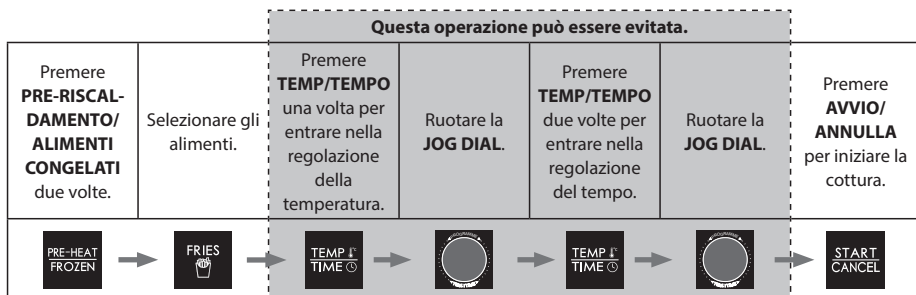
1. Disporre in modo uniforme gli alimenti da cuocere nel cestello.
2. Posizionare il cestello nella camera di cottura interna. Posizionare la camera di cottura interna nella friggitrice ad aria.
3. Collegare la friggitrice ad aria alla rete elettrica.
4. Selezionare l'alimento desiderato premendo il pulsante di cottura automatica sul pannello di controllo. La temperatura e il tempo predefiniti lampeggiano sul display a LED.
  - a. Se necessario, premere una volta il pulsante "**TEMP/TEMPO**" e poi ruotare la **JOG DIAL** per impostare la temperatura di cottura desiderata
  - b. Se necessario, premere due volte il pulsante "**TEMP/TEMPO**" e poi ruotare la **JOG DIAL** per impostare la temperatura di cottura desiderata
5. Premere una volta il pulsante "**AVVIO/ANNULLA**" per avviare la cottura; inizia il conto alla rovescia.
6. Al termine della cottura, la friggitrice ad aria emette un suono e torna in modalità standby.
7. Estrarre con cautela la camera interna e togliere immediatamente il cibo dal cestello della friggitrice ad aria, altrimenti il calore rimasto nella friggitrice continuerà a cuocere e a essiccare gli alimenti.

**Nota:** Se si modifica il tempo di cottura degli alimenti a cottura automatica, è possibile aumentare il tempo massimo solo del 30%. Questo per evitare il rischio di bruciare gli alimenti.

Alimenti	Peso	Temperatura iniziale degli alimenti	Tempo di cottura	Tempo massimo extra	Girare	Tempo di cottura per alimenti congelati	Temperatura	Commenti
Patate fritte	Da 200 g a 500 g	Temperatura ambiente	15 - 20	23	Si	26	180	Do not overload the pot.
Manzo	Da 150 g a 500 g		8 - 12	16	Si	-	200	Si possono cuocere fino a 270 g di bistecca di manzo
Verdura	Da 100 g a 400 g		10	13	Si	14	190	Cut up vegetables into pieces 2 x 3cm.
Pollo	Da 800g a 1000g		30	39	Si	-	190	Pollo intero o pezzi grandi
Bacon	Da 4 a 6 fettine		9	12	-	-	180	Distribuire in modo uniforme le fettine di pancetta nel cestello
Pesce	Da 100 g a 500 g		12	16	Si	-	200	Place fish pieces directly onto the base of the frying basket.
Patate	250 g ciascuna		40	52	Si	-	200	Mettere nel cestello fino a 3 patate da 250 g ciascuna.
Pizza	Da 100 g a 400 g		13	17	-	18	160	Place whole or pizza pieces directly in the frying basket.

## Cucinare alimenti congelati

Per cucinare alimenti congelati, seguire le istruzioni della cottura automatica, ma premere come prima cosa il pulsante **"ALIMENTI CONGELATI"**.

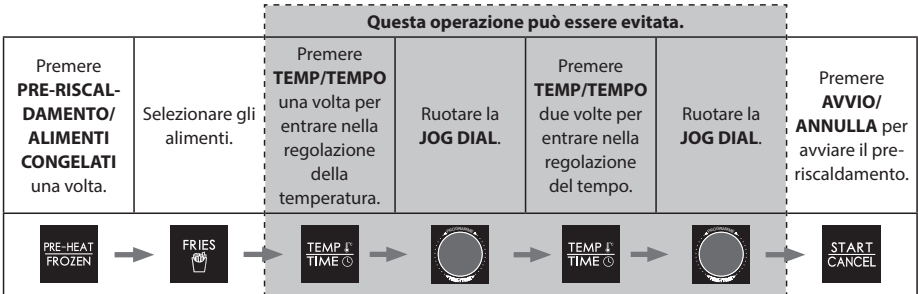


1. Disporre in modo uniforme gli alimenti da cuocere nel cestello.
2. Posizionare il cestello nella camera di cottura interna. Posizionare la camera di cottura interna nella friggitrice ad aria.
3. Collegare la friggitrice ad aria alla rete elettrica.
4. Premere due volte il pulsante **"PRE-RISCALDAMENTO/ALIMENTI CONGELATI"**.
5. Selezionare la funzione desiderata premendo il pulsante di funzione sul pannello di controllo. La temperatura e il tempo predefiniti lampeggiano sul display a LED.
  - a. Se necessario, premere una volta il pulsante **"TEMP/TEMPO"** e poi ruotare la **JOG DIAL** per impostare la temperatura di cottura desiderata
  - b. Se necessario, premere due volte il pulsante **"TEMP/TEMPO"** e poi ruotare la **JOG DIAL** per impostare la temperatura di cottura desiderata
6. Premere una volta il pulsante **"AVVIO/ANNULLA"** per avviare la cottura; inizia il conto alla rovescia.
7. Al termine della cottura, la friggitrice emette un suono e torna in modalità standby.
8. Premere il pulsante di apertura, estrarre con cautela la maniglia della camera interna ed estrarre gli alimenti.

La cottura quando gli alimenti sono congelati è possibile solo per **PATatine FRITTE, VERDURE** e **PIZZA**.  
Per cuocere altri alimenti congelati, vedere i consigli di cottura manuale.

## Pre-riscaldamento

Per garantire che la friggitrice ad aria sia alla temperatura corretta per la cottura dei cibi, è disponibile una funzione di pre-riscaldamento che può essere utilizzata prima delle funzioni di cottura automatica e cottura manuale. È sufficiente premere il pulsante di pre-riscaldamento una volta prima di selezionare qualsiasi altra funzione.



1. Posizionare il cestello nella camera di cottura interna. Posizionare la camera di cottura interna nella friggitrice ad aria.
2. Collegare la friggitrice ad aria alla rete elettrica.
3. Premere una volta il pulsante **PRE-RISCALDAMENTO/ALIMENTI CONGELATI**.
4. Selezionare l'alimento desiderato premendo il pulsante di cottura automatica pertinente sul pannello di controllo. La temperatura e il tempo predefiniti lampeggiano sul display a LED.
  - a. Se necessario, premere una volta il pulsante "**TEMP/TEMPO**" e poi ruotare la "**JOG DIAL**" su b per impostare la temperatura di cottura desiderata.
  - b. Se necessario, premere due volte il pulsante "**TEMP/TEMPO**" e poi ruotare la "**JOG DIAL**" per impostare la temperatura di cottura desiderata.
5. Premere il pulsante "**AVVIO/ANNULLA**".
6. Quando l'apparecchio ha raggiunto la temperatura di pre-riscaldamento corretta, emette un suono.
7. Estrarre la camera interna e posizionare uniformemente gli alimenti da cuocere nel cestello.
8. Rimettere la camera interna/il cestello nella friggitrice ad aria.
9. La friggitrice ad aria si avvia automaticamente e il tempo scorre.
10. Al termine della cottura la friggitrice emette un suono e torna in modalità standby.
11. Estrarre la pentola interna e ricordarsi di maneggiare con cura il cibo e di toglierlo immediatamente dal cestello della friggitrice ad aria, altrimenti il calore rimasto nella friggitrice ad aria continuerà a cuocere e a seccare il cibo.

## MANOPOLA DI CONTROLLO

La manopola di controllo della friggitrice ad aria ha diverse funzioni, alcune delle quali duplicano i pulsanti del pannello di controllo.

Quando la friggitrice ad aria viene collegata alla rete elettrica, entra nella modalità di impostazione della funzione e visualizza temperatura e tempo per il primo programma automatico.

Per selezionare il menu automatico desiderato, ruotare la manopola, poi premere il centro della manopola per confermare il nome del menu che lampeggia. Se temperatura e tempo mostrati nel display sono idonei, premere il pulsante "AVVIO/ANNULLA" sul pannello di controllo superiore per avviare la cottura.

Se necessario, è possibile regolare temperatura e tempo di cottura del menu selezionato, prima di premere il pulsante "AVVIO/ANNULLA" per avviare la cottura.

1. Premere la manopola e il display della temperatura inizia a lampeggiare.
2. Ruotare la manopola per impostare la temperatura di cottura desiderata.
3. Premere la manopola per confermare l'impostazione della temperatura. Le cifre dell'orario adesso lampeggiano.
4. Ruotare la manopola per impostare il tempo di cottura desiderato.
5. Premere il centro della manopola per avviare il processo di cottura.

Per annullare la cottura, premere il centro della manopola.

## MANUTENZIONE DURANTE L'USO

Questo apparecchio richiede poca manutenzione durante l'uso. Pulire la friggitrice ad aria dopo ogni utilizzo per prolungarne la durata.

Questa friggitrice ad aria non contiene parti riparabili dall'utilizzatore. Non cercare di ripararla da soli. Nell'improbabile caso di guasto, contattare il call center SHARP utilizzando i dati riportati all'inizio di questo manuale d'uso.

## ISTRUZIONI PER LA PULIZIA

**ATTENZIONE:** Per proteggersi dai rischi di scossa elettrica, NON IMMERGERE LA FRIGGITRICE AD ARIA IN ACQUA O IN ALTRI LIQUIDI.

La friggitrice ad aria deve essere pulita regolarmente per ottenere prestazioni ottimali e una lunga durata. Una pulizia regolare riduce anche il rischio di incendio. Per la pulizia, seguire le istruzioni riportate di seguito:

1. Togliere la spina dalla presa di corrente. Lasciare raffreddare la friggitrice ad aria.
2. Pulire il cestello e la camera di cottura interna con un panno umido e insaponato. Assicurarsi di utilizzare solo acqua e sapone delicato. Se sul cestello o sulla camera di cottura interna sono presenti macchie troppo difficili da pulire, lasciarle in ammollo in acqua calda per circa 10 minuti prima di pulirle.
3. Pulire gli elementi riscaldanti con un panno morbido e asciutto.
4. Pulire l'esterno della friggitrice ad aria con un panno morbido e umido, quindi asciugare.

**ATTENZIONE:** NON UTILIZZARE DETERGENTI ABRASIVI O QUALSIASI ALTRO TIPO DI MATERIALE ABRASIVO sulla superficie del cestello di frittura e della camera di cottura interna. Assicurarsi di utilizzare solo acqua e sapone delicato. Detergenti abrasivi, spazzole e detergenti chimici danneggiano il rivestimento dell'unità.

Oltre alla pulizia consigliata, non dovrebbe essere necessaria altra manutenzione da parte dell'utilizzatore.

Qualsiasi altro intervento di manutenzione deve essere eseguito da un rappresentante dell'assistenza autorizzato.

## CONSERVAZIONE

Scollegare l'apparecchio, lasciarlo raffreddare e pulirlo prima di riportarlo. Conservare la friggitrice ad aria nella sua scatola in un luogo pulito e asciutto. Non riporre mai l'apparecchio quando è caldo o ancora collegato. Non avvolgere mai il cavo intorno alla friggitrice ad aria. Non sollecitare il cavo nel punto in cui entra nell'apparecchio, perché potrebbe sfilacciarsi e rompersi.

Se si conserva la friggitrice ad aria per lunghi periodi di tempo, assicurarsi che sia pulita e priva di particelle di cibo. Conservare la friggitrice ad aria in un luogo asciutto, ad esempio su un tavolo, un piano di lavoro o un ripiano della dispensa.

## RISOLUZIONE DEI PROBLEMI

Se si verificano problemi con la friggitrice ad aria, seguire le indicazioni riportate di seguito.

La friggitrice ad aria non funziona.	L'apparecchio non è collegato alla rete elettrica o non è acceso.	Assicurarsi che la spina sia inserita in una presa elettrica e che sia attivata.
	Non sono state impostate l'ora o la temperatura.	Impostare l'ora e la temperatura e poi premere <b>"AVVIO/ANNULLA"</b> .
	La camera di cottura interna non è bloccata correttamente nell'unità.	Inserire la camera di cottura interna nella friggitrice ad aria in modo che faccia "clic".
Gli ingredienti fritti con la friggitrice ad aria non sono pronti.	C'è troppo cibo nel cestello.	Mettere nel cestello della friggitrice una quantità minore di cibo. Le porzioni più piccole vengono fritte in modo più uniforme.
	La temperatura impostata è troppo bassa.	Regolare la temperatura sull'impostazione desiderata.
	Il tempo di cottura è troppo breve.	Regolare il timer sul tempo di preparazione richiesto.
Gli snack fritti non sono croccanti quando escono dalla friggitrice ad aria.	È stato utilizzato un tipo di snack destinato alla preparazione in una friggitrice tradizionale.	Per ottenere un risultato più croccante, utilizzare snack da preparare in forno o spennellare leggermente di olio.
È difficile o impossibile far scorrere correttamente la camera interna e il cestello di frittura nell'apparecchio.	C'è troppo cibo nel cestello.	Non riempire eccessivamente il cestello.
	Il cestello non è stato inserito correttamente nella camera interna.	Spingere il cestello verso il basso nella camera interna fino a sentire un leggero scatto.
Dall'apparecchio esce del fumo bianco.	Si stanno preparando cibi grassi.	Quando si friggono alimenti grassi nella friggitrice ad aria, una grande quantità di olio fuoriesce dalla camera interna. L'olio può fare fumo bianco e la camera interna può riscaldarsi più del solito. Questo non influisce sull'apparecchio o sul risultato finale.
	La camera interna contiene ancora i residui di grasso dell'uso precedente.	Il fumo bianco è causato dal grasso che si riscalda nella camera interna; assicurarsi di pulire accuratamente il cestello e la camera interna dopo ogni utilizzo.
Le patatine fresche vengono fritte in modo non uniforme nella friggitrice ad aria.	Non è stato utilizzato il giusto tipo di patata.	Utilizzare patate fresche e assicurarsi che rimangano sode durante la frittura.
	Non sono stati sciacquati bene gli stick di patate prima di friggerli.	Sciacquare bene gli stick di patate per rimuovere l'amido dalla loro parte esterna.
Le patatine fritte fresche non sono croccanti quando escono dalla friggitrice ad aria.	La croccantezza delle patatine dipende dalla quantità/dal tipo di olio e e dall'acqua presente nelle patatine.	Assicurarsi di asciugare bene gli stick di patate prima di aggiungere l'olio.
		Tagliare le patate in stick più sottili per ottenere un risultato più croccante.
		Aggiungere un po' più di olio per un risultato più croccante.

In caso di problemi, contattare il call center SHARP utilizzando i dati riportati all'inizio di questo manuale d'uso.



### Dėmesio:

Jūsų produktas yra pažymėtas šiuo ženklu.

Tai reiškia, kad panaudoti elektros ir elektronikos gaminiai neturėtų būti maišomi su įprastomis buities atliekomis. Tokiems gaminiams yra nustatytos atskiros surinkimo sistemos.



[www.sharpconsumer.com/contact/](http://www.sharpconsumer.com/contact/)



[www.sharpconsumer.com/support/](http://www.sharpconsumer.com/support/)



[www.sharpconsumer.com/documents-of-conformity/](http://www.sharpconsumer.com/documents-of-conformity/)

## A. Informacija apie įrangos šalinimą (vartotojams)

### 1. Europos Sąjungoje

Dėmesio: norėdami atsikratyti šios įrangos, nemeskite jos į įprastą šiukšlių dėžę!

Panaudota elektros ir elektronikos įranga turi būti išmetama atskirai pagal teisės aktus, kurie numato tokios įrangos tinkamą apdorojimą, utilizavimą ir perdirbimą.

Sekant valstybių narių veiklą, Europos Sąjungos privatūs namų ūkiai gali gražinti panaudotą elektros ir elektronikos įrangą į tam skirtus surinkimo punktus nemokamai\*.

Kai kuriose šalyse\* vietinis įrangos prekiautojas taip pat gali priimti seną gaminį nemokamai, jei įsigyjate naują.

\*) Dėl išsamesnės informacijos susisiekite su vietos valdžia.

Jei jūsų panaudotoje elektrinėje arba elektroninėje įrangoje yra baterijų arba akumuliatorių, išmeskite juos atskirai pagal vietos reikalavimus. Tinkamai išmesdami šį gaminį padėsite užtikrinti, kad atliekos bus tinkamai apdorotos, utilizuotos bei perdirbtos ir užkirsite kelią galimam neigiamam poveikiui aplinkai ir žmonių sveikatai, kurį gali lemti netinkamas atliekų apdorojimas.

### 2. Kitose šalyse už ES ribų

Norėdami išmesti šį produktą, susisiekite su vietos valdžia ir paprašykite informacijos apie tinkamus atliekų šalinimo būdus.

Šveicarijai: panaudota elektros ir elektronikos įranga gali būti gražinama nemokamai prekybos agentui, net jeigu neketinate įsigyti naujo gaminio. Papildomi surinkimo punktai yra išvardinti interneto svetainėje [www.swico.ch](http://www.swico.ch) arba [www.sens.ch](http://www.sens.ch).

## B. Informacija apie įrangos šalinimą (verslo klientams)

### 1. Europos Sąjungoje

Jei gaminys yra naudojamas verslo reikmėms ir Jūs norite jį išmesti: Susisiekite su SHARP prekybos agentu, kuris informuos Jus apie gaminio priėmimą. Jums gali tekti sumokėti gaminio priėmimo ir perdirbimo išlaidas. Smulkūs gaminiai (nedideliais kiekiais) gali būti priimami vietiniuose surinkimo punktuose.

Ispanijai: savo panaudotos įrangos priėmimo klausimu susipažinkite su nustatyta surinkimo sistema ar susisiekite su vietos valdžia.

### 2. Kitose šalyse už ES ribų

Jei norite išmesti šį produktą, susisiekite su vietos valdžia ir paprašykite informacijos apie taisyklingus šalinimo būdus.

# TURINYS

SAUGOS NURODYMAI.....	3
TECHNINIAI DUOMENYS.....	6
KARŠTO ORO GRUZDINTUVĖ IR PRIEDAI.....	7
VALDYMO SKYDELIS.....	8
PRIEŠ NAUDOJANT SAVO KARŠTO ORO GRUZDINTUVĘ.....	8
NAUDOJIMO INSTRUKCIJA.....	9
Automatinis maisto ruošimas.....	9
Maisto ruošimas iš užšaldytų produktų.....	10
Įkaitinimas.....	11
VALDYMO RANKENĖLĖ.....	11
PRIEŽIŪRA NAUDOJIMO METU.....	12
VALYMO INSTRUKCIJA.....	12
LAIKYMAS.....	12
TRIKČIŲ NUSTATYMAS IR ŠALINIMAS.....	13


## SAUGOS NURODYMAI

### **Naudodamiesi elektriniu prietaisu visada turite vadovautis pagrindinėmis atsargumo priemonėmis, įskaitant toliau nurodytas:**

- Vaikai turi būti prižiūrimi, kad būtų užtikrinta, jog jie su prietaisu nežaidžia.
- Šiuo prietaisu negali naudotis asmenys (įskaitant vaikus), kurių fiziniai, jutimo ar protiniai gebėjimai yra riboti, arba neturintys patirties bei žinių, nebent už juos atsakingas žmogus prižiūri ir apmoko, kaip naudoti prietaisą.
- Išvalykite karšto oro gruzdintuvės krepšelį ir kepimo indą drėgna muiluota šluoste. Naudokite tik švelnaus poveikio muiluotą vandenį.
- **NEŠVEISKITE** metaliniais šveistukais. Nuo jų gali atsiskirti metalinės dalelės ir liestis su elektrinėmis prietaiso dalimis. Tai sukelia elektros smūgio riziką. Taip pat susibraižys paviršius.
- Prieš padėdami ar naudodami prietaisą nusauskite jį švelnia šluoste.
- Jei ant krepšelio ar kepimo indo yra sunkiai nuvalomų dėmių, užmerkite maždaug 10 minučių į šiltą vandenį ir tada nuvalykite.
- Krepšelį ir kepimo indą galima plauti indaplovėje.
- **NEPRIDĖKITE PER DAUG** ruošiamo maisto produktų. Pridėję per daug produktų galite susižeisti patys, patirti turtinės žalos, prietaisu naudotis gali būti nesaugu.
- Į kepimo indą **NEPILKITE** aliejaus ar kitų skysčių.
- **NEAUDOKITE** šio prietaiso gruzdinimui aliejuje.
- Kad išvengtumėte sveikatos pavojaus, įsitikinkite, kad maistas būna tinkamai paruoštas ir iškepęs.
- Saugokite, kad maisto produktai nesiliestų prie kaitinimo elementų.
- Prieš naudodami prietaisą **BŪTINAI** įsitikinkite, kad jis



tinkamai surinktas.

- Į karšto oro gruzdintuvę NEDĖKITE šių ar panašių medžiagų: kartono, plastiko, popieriaus.
- Nenaudojamoje karšto oro gruzdintuvėje galima laikyti tiktai jos priedus.
- NENAUDOKITE prietaiso kitai paskirčiai, negu numatyta.
- NENAUDOKITE lauke.
- Jei reikia pagalbos naudojant šį gaminį, kreipkitės į „Sharp“ pagalbos liniją savo regione.
- Prietaisą imkite tik už rankenų ir naudokite tokias apsaugines priemones kaip pirštinės ar puodkėlės.
- Perskaitykite visus nurodymus šioje instrukcijoje, kad užtikrintai žinotumėte, kaip naudoti šią karšto oro gruzdintuvę. NELIESKITE karštų paviršių, jei įmanoma, naudokite rankenas arba valdiklius (priklauso nuo modelio).
- Nerekomenduojama naudoti papildomų priedų, kurie gali kelti pavojų ar sužeisti.
- Šis prietaisas yra skirtas naudoti TIK BUIITYJE.
- Kad kepimo indas nenukristų ant grindų, padėkite jį ant stabilaus paviršiaus, prieš keldami krepšelį.
- Naudodami prietaisą pasukite taip, kad rankena būtų jūsų pusėje.
- **ATSARGIAI:** šis ženklas  reiškia, kad NAUDOJAMO PRIETAISO PAVIRŠIUS ĮKAISTA. NELIESKITE karštų paviršių.
- Kai prietaisas naudojamas, NEUŽDENKITE oro įleidimo ir išleidimo angų. Jas uždengus, maistas kepamas netolygiai, prietaisas gali perkaisti arba sugesti.
- NELIESKITE priedų maisto ruošimo metu ar iškart po to.
- Reikia būti itin atsargiems, kai prietaise yra karšto maisto. Netinkamai naudojant prietaisą galima susižeisti.
- Panaudoję prietaisą, palikite jį atvėsti.
- Prieš valydami karšto oro gruzdintuvę, leiskite jai atvėsti.
- ĮSPĖJIMAS: kadangi naudojama ši karšto oro gruzdintuvė įkaista ir kai kurie paviršiai gali taip pat įkaisti, ir kadangi

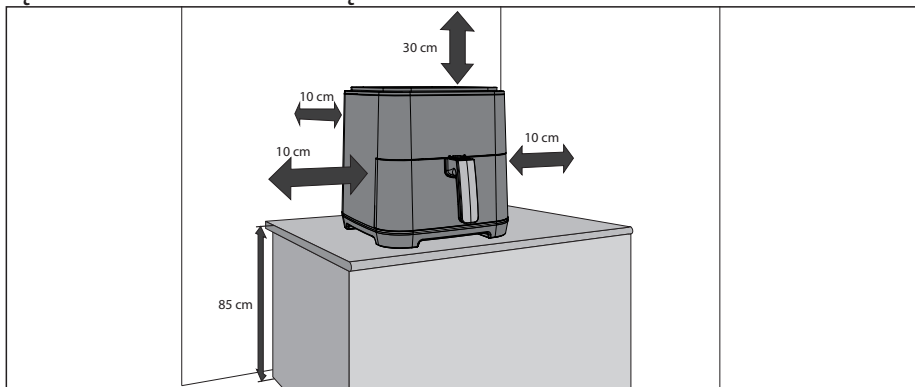
---

žmonės skirtingai reaguoja į temperatūrą, šį prietaisą būtina naudoti atsargiai.

- Liesdami įkaitusius paviršius, įkaitusį krepšelį, kepimo indą ir maistą mėvėkite apsaugines pirštines su izoliaciniu sluoksniu.
- Naudodami šį prietaisą, užtikrinkite, kad virš jo ir iš visų pusių būtų pakankamai vietos oro cirkuliacijai. Prieš naudodami prietaisą VISADA įsitikinkite, kad kepimo indas yra tinkamai uždarytas.
- NELEISKITE, kad maitinimo laidas kabotų virš darbatalio krašto arba liestųsi su karštais paviršiais.
- NENAUDOKITE prietaiso, jei maitinimo laidas ar kištukas yra kaip nors pažeisti, jei prietaisas sugedo ar buvo kaip nors kitaip pažeistas.
- NEKEISKITE ir nemodifikuokite maitinimo laido ar kištuko patys.
- NENAUDOKITE ilgintuvo.
- Naudodami karšto oro gruzdintuvę pasirūpinkite, kad maitinimo lizdas (jungiklis) būtų prieinami.
- Ši karšto oro gruzdintuvė nėra skirta naudoti su išoriniu laikmačiu ar atskira nuotolinio valdymo sistema.
- Išjunkite prietaisą iš maitinimo tinklo, kai jis nenaudojamas arba prieš jį valydami.
- Ištraukdami maitinimo kištuką iš lizdo, visada laikykite už kištuko – jokių būdu ne už laido.
- Baigę naudoti karšto oro gruzdintuvę paspauskite mygtuką „STOP/CANCEL“ (sustabdyti / atšaukti) įjungti parengties režimą, o tada išjunkite iš maitinimo tinklo.
- Norėdami apsisaugoti nuo elektros smūgio, NEMERKITE karšto oro gruzdintuvės į vandenį ar kitus skysčius.
- NEUŽDENKITE jokių karšto oro gruzdintuvės dalių jai veikiant, kadangi dėl to prietaisas gali perkaisti.
- NEDĖKITE karšto oro gruzdintuvės ant karštų paviršių, šalia dujinės ar elektrinės viryklės ar į įkaitintą orkaitę.

- Naudodami karšto oro gruzdintuvę padėkite ją taip, kad iš visų pusių liktų mažiausiai 10 cm tarpas reikiamai oro cirkuliacijai.

**ŠĮ NAUDOJIMO VADOVĄ LAIKYKITE SAUGIOJE VIETOJE ATEIČIAI**



## TECHNINIAI DUOMENYS

Modelio pavadinimas	GS404A.
Karšto oro gruzdintuvės galia (W)	1300
Karšto oro gruzdintuvės temperatūros lygiai (°C)	80 °C ~ 200 °C
8 automatinės programos	Fries (bulvytės „fri“), Beef (jautiena), Vegetables (daržovės), Small chicken (mažas viščiukas), Bacon (šoninė), Fish (žuvis), Potato (bulvės), Pizza (pica)
2 funkcijos	Įkaitinimas, maisto ruošimas iš užšaldytų produktų
Talpa (litrai)	4,0
Valdymo skydelis	Skaitmeninis, su valdymo rankenėle
Krepšelio danga	Neleidžianti prilipti
Krepšelio dydis (skersmuo × aukštis, mm)	Ø190 × 50
Kepimo indo danga	Neleidžianti prilipti
Kepimo indo dydis (skersmuo × aukštis, mm)	200 × 120
Maitinimo laido ilgis (mm)	900
Triukšmo lygis (dB)	55–62
Energijos sąnaudos (W)	1300
Reikalinga elektros srovė	220–240 V 50 Hz
Energijos sąnaudos parengties režimu (W)	<0.5
Dydis (plotis × aukštis × gylis, mm)	261 × 338 × 327
Svoris (kg)	4,5

Šis gaminys atitinka taikytinus JK ir ES reglamentus bei standartus.

KADANGI MŪSŲ POLITIKOS DALIS YRA NUOLATINIS TOBULĖJIMAS, MES PASILIEKAME TEISĘ BE IŠANKSTINIO ĮSPĖJIMO ATLIKTI KONSTRUKCIJOS IR TECHNINIŲ DUOMENŲ PAKEITIMUS.

# KARŠTO ORO GRUZDINTUVĖ IR PRIEDAI

**Susipažinkite su toliau aprašomomis karšto oro gruzdintuvės funkcijomis ir priedais prieš naudodami pirmą kartą:**

**Kepimo indas:** įstatykite krepšelį į kepimo indą, o tada kepimo indą – į karšto oro gruzdintuvę.

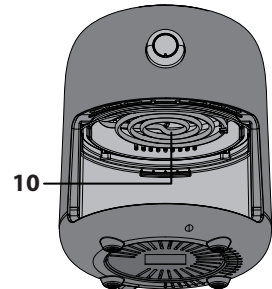
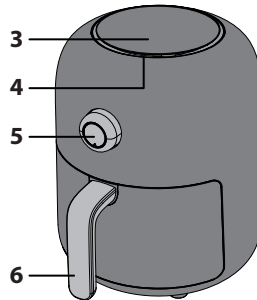
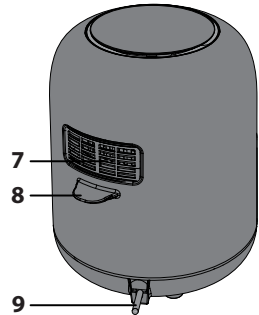
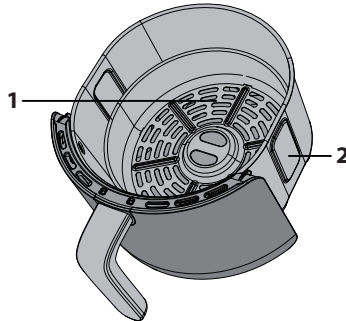
**Krepšelis:** sudėkite maisto produktus į krepšelį, o tada krepšelį – į kepimo indą.

**PASTABA:** kad kepimo indas nenukristų ant grindų, padėkite jį ant stabiliaus paviršiaus, prieš keldami krepšelį.

**Oro išleidimo anga:** naudojimo metu per oro išleidimo angą išleidžiami karšti garai (tai – normalu). Maisto ruošimo metu nekeiskite rankų ir veido prie oro išleidimo angos, kad nenusiplieskytumėte.

**Rankena:** ji skirta įstatyti ir ištraukti kepimo indą bei krepšelį į ir iš karšto oro gruzdintuvės.

1. Krepšelis
2. Kepimo indas
3. Valdymo skydelis
4. Oro išleidimo anga
5. Valdymo rankenėlė
6. Krepšelio rankena
7. Oro išleidimo anga
8. Kėlimo rankena
9. Maitinimo laidas
10. Kaitinimo elementas



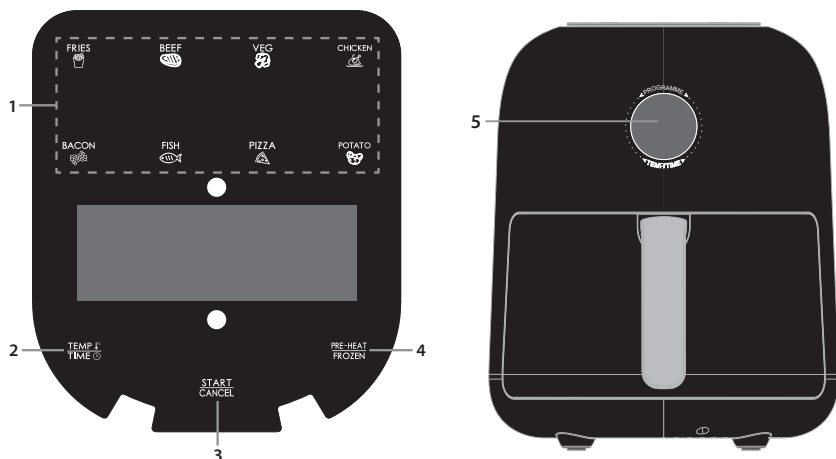
## ORO SRAUTO KRYPTIS

Maisto ruošimo metu karštas oras nuo elemento juda taip, kaip parodyta paveikslėlyje. Taip užtikrinama, kad jūsų maistas būtų kepamas nustatytoje temperatūroje tolygiai per nustatytą laiką. Nenaudokite tokių medžiagų kaip aliuminio folija, kuri gali kliudyti tokiam oro srautui arba perpildyti krepšelį.



## VALDYMO SKYDELIS

1. **Automatinių programų mygtukai** – automatinės maisto ruošimo programos, pasirenkanti iš 8 variantų.
2. **Temperature/Time** – (temperatūra / laikas) mygtukas skirtas kontroliuoti temperatūrą ir laiką rankiniu būdu.
3. **Start/Cancel** – (paleisti / atšaukti) paleisti karšto oro gruzdintuvės darbą arba atšaukti / pristabdyti darbą.
4. **Pre-Heat/Frozen** – (įkaitinti / gaminti iš užšaldytų produktų) skirta įkaitinti karšto oro gruzdintuvę iki reikiamos temperatūros maisto ruošimui arba gaminti maistą iš užšaldytų produktų.
5. **Valdymo rankenėlė** – naudojama reguliuoti laiką ir temperatūrą.



## PRIEŠ NAUDOJANT SAVO KARŠTO ORO GRUZDINTUVĘ

Prieš pirmą kartą naudojant karšto oro gruzdintuvę, išpakavus ir nuėmus visas pakavimo medžiagas, rekomenduojama išplauti kepimo indą ir krepšelį karštu muiluotu vandeniu arba indaplovėje. Tada kruopščiai nusausinkite visus priedus ir surinkite karšto oro gruzdintuvę. Prieš naudodami nuvalykite išorinį korpusą ir vidines dalis drėgna šluoste ir nusausinkite.

Ijunkite į elektros tinklą ir nustatykite prietaisą kepti bulvytes (nedėkite į prietaisą jokių maisto produktų). Įrenginys bus įjungtas į 180 °C temperatūrą 23 minutėms, kad išsisklaidytų visi likučiai, kurie galėjo prilipti prie kaitinimo elemento gamybos metu.

Prieš naudojant prietaisą, patartina iki galo perskaityti šią instrukciją.

# NAUDOJIMO INSTRUKCIJA

Jūsų karšto oro gruzdintuvė turi kelis naudojimo režimus:

**Automatinis maisto ruošimas:** pasirinkite vieną iš 8 užprogramuotų maisto ruošimo programų.

**Maisto ruošimas iš užšaldytų produktų:** paruoškite patiekalą iš užšaldytų produktų (tik daržovės, pica ir bulvytės „fri“).

**Įkaitinti:** pasirūpinkite, kad karšto oro gruzdintuvėje būtų tinkama temperatūra dar prieš pradėdami ruošti maistą.

## Pastabos apie maisto ruošimą

- Ruošiant maistą, maisto produktais turi būti užpildyta ne daugiau nei 4/5 krepšelio.
- Maisto ruošimo metu galima reguliuoti temperatūrą ir trukmę.
- Norėdami pristabdyti virimą, ištraukite vidinį puodą iš prietaiso; įstūmus atgal, prietaisas įsijungs automatiškai.
- Norėdami atšaukti maisto ruošimą, du kartus paspauskite mygtuką „START/CANCEL“ (sustabdyti / atšaukti).
- Kai kuriuos maisto produktus gaminimo metu reikės maišyti ir (arba) kratyti: Keptuvė automatiškai įsijungs iš naujo.
- Įsitinkinkite, kad maistas tinkamai paruoštas. Jei maistas nepakankamai iškepas, įdėkite jį atgal į karšto oro gruzdintuvę ir kepkite ilgiau.
- Kad kepimo indas nenukristų ant grindų, padėkite jį ant stabilaus ir karščiui atsparaus paviršiaus, prieš keldami krepšelį.
- Maistą ruoškite tik šioje karšto oro gruzdintuvėje.
- NENAUDOKITE kepimui riebaluose.

## Automatinis maisto ruošimas

Kad prietaisu būtų lengva ir patogus naudotis, jame veikia 8 automatinės maisto ruošimo programos. Jos lengvai įjungiamos specialiais mygtukais valdymo skydelyje.

Toliau pateikiamas jautienos ruošimo pavyzdys. Temperatūros ar laiko nustatymus reikia keisti tik tada, jei norite, kad maistas būtų labiau ar mažiau iškeptas.



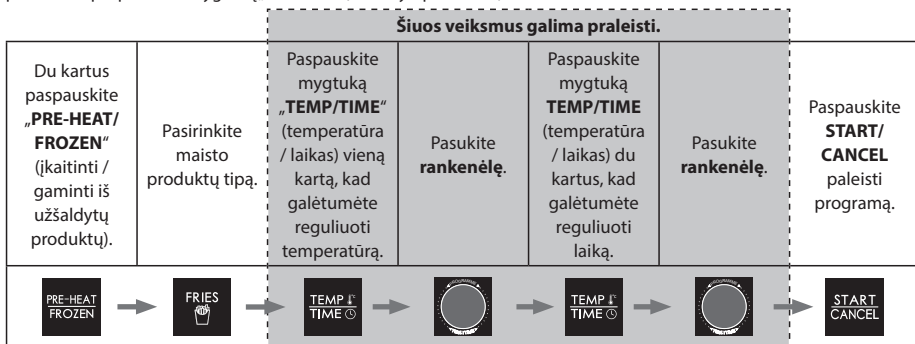
1. Tolygiai išdėliokite ruošiamą maistą krepšelyje.
2. Įstatykite krepšelį į kepimo indą. Įstumkite kepimo indą į karšto oro gruzdintuvę.
3. Įjunkite karšto oro gruzdintuvę į maitinimo tinklą.
4. Pasirinkite ruošiamo maisto tipą, paspausdami atitinkamą automatinės programos mygtuką valdymo skydelyje. LED ekrane mirkčios numatytosios temperatūros ir ruošimo trukmės reikšmės.
  - a. Jei reikia, vieną kartą paspauskite mygtuką „TEMP/TIME“, o tada, sukdami **rankenėlę**, nustatykite norimą kepimo temperatūrą.
  - b. Jei reikia, vieną kartą paspauskite mygtuką „TEMP/TIME“, o tada, sukdami **rankenėlę**, nustatykite norimą kepimo trukmę.
5. Paspauskite mygtuką „START/CANCEL“ pradėti maisto ruošimą; ekrane pradėdamas skaičiuoti laikas.
6. Pasibaigus maisto ruošimo programai, karšto oro gruzdintuvė skleidžia garsinį signalą, ir prietaisas įsijungia į parengties režimą.
7. Atsargiai ištraukite kepimo indą ir nedelsdami išimkite maistą iš krepšelio, kad maistas nebūtų toliau kepamas ir neišdžiūtų.

**Pastaba:** norint pakeisti maisto ruošimo trukmę su automatine programa, ją galima pailginti tik iki 30 %. Taip apsaugoma, kad maistas nesudegtų.

Maistas	Svoris	Sudedamo maisto produktų temperatūra	Gaminimo laikas	Kiek daugiausiai laiko galima pridėti	Aperversti	Maisto ruošimo iš užšaldytų produktų trukmė	Temperatūra	Komentarai
Bulvytės „fri“	nuo 200 g iki 500 g	Kambario temperatūra	Nuo 15 iki 20	23	Taip	26	180	Do not overload the pot.
Jautiena	nuo 150 g iki 500 g		Nuo 8 iki 12	16	Taip	-	200	Galima kepti iki 270 g jautienos kepsnį
Daržovės	nuo 100 g iki 400 g		10	13	Taip	14	190	Cut up vegetables into pieces 2 x 3cm.
Višta	nuo 800 g iki 1000 g		30	39	Taip	-	190	Visa višta arba dideli gabalai
Kiaulienos šoninė	4–6 griežinėliai		9	12	-	-	180	Soninės griežinėlius išdėliokite krepšelyje tolygiais tarpais
Žuvis	nuo 100 g iki 500 g		12	16	Taip	-	200	Place fish pieces directly onto the base of the frying basket.
Bulvės	Po 250 g		40	52	Taip	-	200	Į krepšelį sudėkite iki trijų 250 g svorio bulvių
Pizza (pica)	nuo 100 g iki 400 g		13	17	-	18	160	Place whole or pizza pieces directly in the frying basket.

## Maisto ruošimas iš užšaldytų produktų

Norėdami ruošti maistą iš užšaldytų produktų, vadovaukitės automatinio maisto ruošimo nurodymais, tačiau pirmiausia paspauskite mygtuką „**FROZEN**“ (užšaldyti produktai).



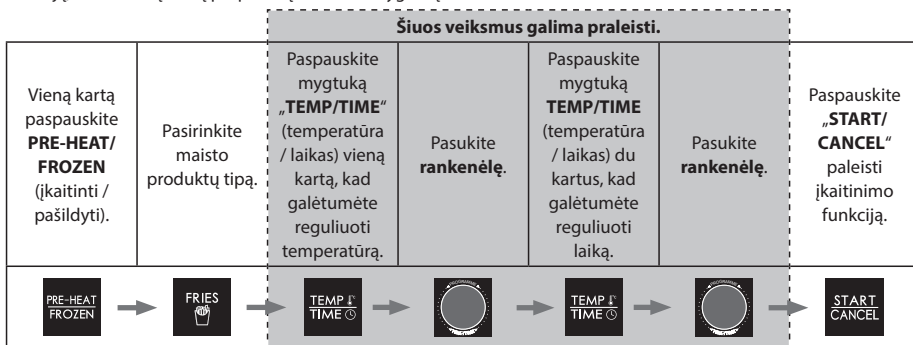
1. Tolygiai išdėliokite ruošiamą maistą krepšelyje.
2. Įstatykite krepšelį į kepimo indą. Įstumkite kepimo indą į karšto oro gruzdintuvę.
3. Įjunkite karšto oro gruzdintuvę į maitinimo tinklą.
4. Du kartus paspauskite mygtuką „**PRE-HEAT/FROZEN**“ (įkaitinti / gaminti iš užšaldytų produktų).
5. Pasirinkite norimą funkciją, paspausdami atitinkamos funkcijos mygtuką valdymo skydelyje. LED ekrane mirksnios numatytosios temperatūros ir ruošimo trukmės reikšmės.
  - a. Jei reikia, vieną kartą paspauskite mygtuką „**TEMP/TIME**“, o tada, sukdami **rankenėlę**, nustatykite norimą kepimo temperatūrą.
  - b. Jei reikia, vieną kartą paspauskite mygtuką „**TEMP/TIME**“, o tada, sukdami **rankenėlę**, nustatykite norimą kepimo trukmę.
6. Paspauskite mygtuką „**START/CANCEL**“ pradėti maisto ruošimą; ekrane pradėdamas skaičiuoti laikas.
7. Pasibaigus maisto ruošimo programai, prietaisas skleidžia garsinį signalą ir įsijungia į parengties režimą.
8. Paspauskite fiksavimo mygtuką, atsargiai ištraukite kepimo indą už rankenos ir išimkite maistą.

Maisto ruošimo iš užšaldytų produktų funkciją galima naudoti tik su **FRIES** (bulvytės „fri“), **VEGETABLES** (daržovės) ir **PIZZA** (pica) programomis.

Norėdami ruošti maistą iš kitų užšaldytų produktų žiūrėkite patarimus apie maisto ruošimą rankiniu būdu.

## Įkaitinimas

Kad jūsų karšto oro gruzdintuvėje būtų reikiama temperatūra ruošti maistui, joje veikia įkaitinimo funkcija, kurią galima naudoti prieš automatines ir rankiniu būdu nustatomas maisto ruošimo programas. Prieš renkantis bet kurią funkciją, reikia vieną kartą paspausti įkaitinimo mygtuką.



- Įstatykite krepšelį į kepimo indą. Įstumkite kepimo indą į karšto oro gruzdintuvę.
- Įjunkite karšto oro gruzdintuvę į maitinimo tinklą.
- Vieną kartą paspauskite mygtuką **PRE-HEAT/FROZEN** (įkaitinti / pašildyti).
- Pasirinkite ruošiamo maisto tipą, paspausdami atitinkamą automatines programos mygtuką valdymo skydelyje. LED ekrane mirkčios numatytosios temperatūros ir ruošimo trukmės reikšmės.
  - Jei reikia, vieną kartą paspauskite mygtuką „**TEMP/TIME**“, o tada, sukdami **rankenėlę**, nustatykite norimą kepimo temperatūrą.
  - Jei reikia, vieną kartą paspauskite mygtuką „**TEMP/TIME**“, o tada, sukdami **rankenėlę**, nustatykite norimą kepimo trukmę.
- Paspauskite mygtuką „**START/CANCEL**“.
- Kai prietaisas įkaista iki tinkamos temperatūros, jis skleidžia garsinį signalą.
- Ištraukite kepimo indą ir tolygiai išdėliokite maisto produktus krepšelyje.
- Vėl įstumkite kepimo indą su krepšeliu į karšto oro gruzdintuvę.
- Oro kepsninė įsijungs automatiškai ir bus skaičiuojamas laikas.
- Pasibaigus maisto ruošimo programai, prietaisas skleidžia garsinį signalą ir įsijungia į parengties režimą.
- Ištraukite vidinį puodą ir nepamirškite atsargiai elgtis su maistu, o iš oro keptuvės krepšelio maistą išimkite iš karto, nes kitaip dėl oro keptuvėje likusio karščio maistas toliau keps ir išdžius.

## VALDYMO RANKENĖLĖ

Karšto oro gruzdintuvės valdymo rankenėlė atlieka keletą funkcijų: kai kurios iš jų veikia taip pat, kaip valdymo skydelyje esantys mygtukai.

Karšto oro gruzdintuvę įjungus į tinklą, ji veiks funkcijų nustatymo režimu ir ekrane rodys pirmosios automatines programos temperatūrą ir laiką.

Norėdami pasirinkti pageidaujimą automatinį meniu, pasukite rankenėlę, tada, kai ekrane mirkčios norimas meniu, patvirtinkite rankenėlės vidurinės dalies paspaudimu. Jeigu ekrane rodoma temperatūra ir laikas yra tinkami, spauskite mygtuką „**START/CANCEL**“ (paleisti / atšaukti) valdymo skydelyje, kad paleistumėte programą. Jei reikia, temperatūrą ir laiką su pasirinktu meniu galite keisti prieš paspausdami mygtuką „**START/CANCEL**“ (paleisti / atšaukti).

- Paspauskite rankenėlę: ekrane pradės mirkčioti temperatūros reikšmė.
- Pasukite rankenėlę nustatyti norimą maisto ruošimo temperatūrą.
- Paspauskite rankenėlę patvirtinti nustatytą temperatūrą. Ekrane pradės mirkčioti laiko reikšmė.
- Pasukite rankenėlę nustatyti norimą maisto ruošimo trukmę.
- Paspauskite vidurinę rankenėlės dalį paleisti maisto ruošimo procesą.

Norėdami sustabdyti maisto ruošimą, paspauskite vidurinę rankenėlės dalį.



## PRIEŽIŪRA NAUDOJIMO METU

Naudojimo metu šis prietaisas reikalauja nedaug priežiūros. Kad jūsų karšto oro gruzdintuvė tarnautų ilgai, išvalykite ją po kiekvieno naudojimo.

Šioje karšto oro gruzdintuvėje nėra dalių, kurių techninę priežiūrą galėtų atlikti pats naudotojas. Nebandykite patys remontuoti. Retai pasitaikančiu gedimo atveju susisiekite su „SHARP“ klientų aptarnavimo centru. Kontaktinė informacija nurodyta šio naudojimo vadovo pradžioje.

## VALYMO INSTRUKCIJA

**ATSARGIAI:** norėdami apsisaugoti nuo elektros smūgio, NEMERKITE KARŠTO ORO GRUZDINTUVĖS Į VANDENĮ AR KITUS SKYSČIUS.

Siekiant užtikrinti geriausią veikimą ir ilgą tarnavimą, karšto oro gruzdintuvę reikia reguliariai valyti. Reguliarus valymas taip pat sumažina gaisro riziką. Vadovaukitės toliau pateikiama valymo instrukcija:

1. Ištraukite maitinimo laido kištuką iš maitinimo lizdo. Leiskite karšto oro gruzdintuvei atvėsti.
2. Išvalykite karšto oro gruzdintuvės krepšelį ir kepimo indą drėgna muiluota šluoste. Naudokite tik švelnaus poveikio muiluoatą vandenį. Jei ant krepšelio ar kepimo indo esančios dėmės sunkiai valosi, užmerkite maždaug 10 minučių į šiltą vandenį.
3. Kaitinimo elementus valykite sausa, švelnia šluoste.
4. Prietaiso korpusą valykite švelnia, drėgna šluoste, o po to nusausinkite.

**ATSARGIAI:** NENAUDOKITE ŠIURKŠČIŲ VALIKLIŲ AR ŠVEITIKLIŲ valyti kepimo indo ar krepšelio paviršiams. Naudokite tik švelnaus poveikio muiluoatą vandenį. Šiurkštūs valikliai, šveitimo šepetėliai ir cheminiai valikliai pažeidžia šio prietaiso dalių dangą.

Jokių kitų priežiūros darbų atlikti nereikia – tik laikytis rekomendacijų dėl valymo.

Kitus techninės priežiūros darbus turi atlikti įgalioti techninės priežiūros specialistai.

## LAIKYMAS

Prieš padėdami prietaisą ilgesniam laikui, išjunkite iš maitinimo tinklo, leiskite jam atvėsti ir išvalykite. Karšto oro gruzdintuvę įdėkite į jos dėžę ir padėkite švarioje, sausoje vietoje. Nepalikite nenaudojamo prietaiso ilgesniam laikui neišjungę iš maitinimo tinklo ir nedėkite į dėžę neatvėsusio. Maitinimo laidą draudžiama vynioti apie karšto oro gruzdintuvę. Apžiūrėkite, kad ties jungimu į prietaisą maitinimo laidas nebūtų tempiamas, kadangi jis gali persilenkti ir nulūžti.

Ruošdamiesi nenaudoti karšto oro gruzdintuvės ilgesnį laiką, įsitinkinkite, kad ji būtų švari ir viduje nebūtų likę maisto likučių. Karšto oro gruzdintuvę laikykite sausoje vietoje, pavyzdžiui, ant stalo, virtuvės darbatalio ar induojuje.

# TRIKČIŲ NUSTATYMAS IR ŠALINIMAS

Jei kyla problemų naudojant karšto oro gruzdintuvę, peržiūrėkite tolesnius nurodymus.

Karšto oro gruzdintuvė neveikia	Prietaisas neįjungtas arba kištukas neįkištas į maitinimo tinklą.	Įsitikinkite, kad kištukas būtų įkištas į maitinimo tinklo lizdą, o pats prietaisas – įjungtas.
	Nenustatėte maisto ruošimo trukmės arba temperatūros.	Nustatykite maisto ruošimo trukmę ir temperatūrą ir paspauskite „ <b>START/CANCEL</b> “.
	Kepimo indas nėra tinkamai užfiksuotas prietaise	Stumkite kepimo indą į karšto oro gruzdintuvę, kol išgirsite spragtelėjimą.
Karšto oro gruzdintuvėje ruošiami produktai neiškepa.	Į krepšelį pridėta per daug maisto.	Į krepšelį dėkite mažesnius produktų kiekius. Mažesni kiekiai maisto iškepa tolygiau.
	Nustatyta per žema temperatūra.	Pakoreguokite temperatūrą iki tinkamos.
	Per maža maisto ruošimo trukmė.	Pakoreguokite maisto gaminimo trukmę iki tinkamos.
Iš karšto oro gruzdintuvės išimti užkandžiai nėra traškūs.	Naudojote tokius pusgaminius, kurie skirti gruzdinti tradicinėje gruzdintuvėje su riebalais.	Naudokite tokius produktus, kurie skirti kepti orkaitėje arba patepkite juos aliejumi, kad būtų traškesni.
Kepimo indą ir krepšelį sunku arba neįmanoma tinkamai įstumti į gruzdintuvę.	Į krepšelį pridėta per daug maisto.	Nepridėkite per daug maisto į krepšelį.
	Krepšelis netinkamai įstatytas į kepimo indą.	Paspauskite krepšelį kepimo inde, kol išgirsite švelnų spragtelėjimą.
Iš prietaiso sklinda balti dėmai.	Jūsų ruošiamas maistas yra riebalingas.	Karšto oro gruzdintuvėje ruošiant riebalingus produktus, didelis riebalų kiekis išteka į kepimo indą. Šie riebalai gali rūkti baltais dėmais, o kepimo indas gali įkaisti labiau, nei įprasta. Tai neturi neigiamos įtakos prietaisui ar maisto ruošimo rezultatui.
	Kepimo inde lieka riebalų likučių po ankstesnio maisto ruošimo.	Balti dėmai kyla iš kepimo inde kaistančių riebalų; po kiekvieno naudojimo būtinai švariai išvalykite krepšelį ir kepimo indą.
Karšto oro gruzdintuvėje bulvytės „firi“ paskrunda netolygiai.	Naudojote netinkamas rūšies bulves.	Naudokite šviežias bulves ir pasirūpinkite, kad gruzdinimo metu jos išliktų kietos.
	Prieš gruzdindami bulvytes tinkamai nepraskalavote bulvių lazdelių.	Kruopščiai nuskalaukite bulvių lazdeles, kad nuo jų paviršiaus pašalintumėte krakmolą.
Iš karšto oro gruzdintuvės išimtos bulvytės „firi“ nėra traškios.	Bulvyčių „firi“ traškumas priklauso nuo jose esančių riebalų ir vandens kiekio bei tipo.	Prieš įpildami aliejaus, būtinai tinkamai nusauskinkite bulvių lazdeles.
		Norėdami traškesnio rezultato, ploniau supjaustykite bulves.
		Norėdami traškesnio rezultato, įpilkite šiek tiek daugiau aliejaus.

Jei problemų pašalinti nepavyktų, susisiekite su „SHARP“ klientų aptarnavimo centru. Kontaktinė informacija nurodyta šio naudojimo vadovo pradžioje.



### Uzmanību!

Jūsu izstrādājums ir apzīmēts ar šo simbolu.

Tas nozīmē, ka izmantotās elektriskās un elektroniskās iekārtas nedrīkst izmest sadzīves atkritumos. Šīm iekārtām ir piemērota atsevišķa savākšanas sistēma.



[www.sharpconsumer.com/  
contact/](http://www.sharpconsumer.com/contact/)



[www.sharpconsumer.com/  
support/](http://www.sharpconsumer.com/support/)



[www.sharpconsumer.com/  
documents-of-conformity/](http://www.sharpconsumer.com/documents-of-conformity/)

## A. Informācija par likvidēšanu lietotājiem (privātās mājsaimniecības)

### 1. Eiropas Savienībā

Uzmanību! Ja vēlaties atbrīvoties no šīs ierīces, lūdzu, neizmetiet to parastā atkritumu tvertnē!

Lietotās elektriskās un elektroniskās iekārtas ir jāapstrādā atsevišķi un saskaņā ar tiesību aktiem, kas paredz izmantoto elektrisko un elektronisko iekārtu atbilstošu apstrādi, atjaunošanu un pārstrādi.

Pēc attiecīgo noteikumu ieviešanas dalībvalstīs privātās mājsaimniecības ES dalībvalstīs var atdot atpakaļ savas izmantotās elektriskās un elektroniskās iekārtas noteiktās savākšanas vietās bez maksas\*.

Dažās valstīs\* vietējais mazumtirgotājs var arī pieņemt atpakaļ jūsu veco izstrādājumu bez maksas, ja tā vietā iegādājaties ekvivalentu.

\*) Lūdzu, sazinieties ar vietējo varas iestādi, lai iegūtu sīkāku informāciju.

Ja nolietai elektroierīci vai elektroniskajai ierīcei ir baterijas vai akumulatori, atbrīvojieties no šīm detaļām pirms atbrīvošanās no ierīcēm saskaņā ar vietējām valsts prasībām. Atbrīvojoties no šīs ierīces pareizā veidā, jūs palīdzat atkritumiem nonākt pareizā apstrādes, atjaunošanas un pārstrādes procesā, tādējādi novēršot iespējamo negatīvo ietekmi uz apkārtni un cilvēku veselību, kas savukārt var rasties, ja atkritumi tiek nepareizi apstrādāti.

### 2. Citās valstīs ārpus ES

Ja vēlaties atbrīvoties no šī izstrādājuma, lūdzu, sazinieties ar savām vietējām varas iestādēm un uzziniet par pareizo utilizācijas metodi.

Šveicē: lietotas elektriskās vai elektroniskās iekārtas var atdot atpakaļ bez maksas tirgotājam pat tad, ja nepērk jaunu izstrādājumu. Papildu savākšanas vietas ir uzskaitītas mājas lapā [www.swico.ch](http://www.swico.ch) vai [www.sens.ch](http://www.sens.ch).

## B. Informācija par utilizāciju uzņēmumiem

### 1. Eiropas Savienībā

Ja izstrādājums tiek izmantots uzņēmējdarbības vajadzībām un vēlaties no tā atbrīvoties, rīkojieties, kā aprakstīts tālāk.

Lūdzu, sazinieties ar SHARP izplatītāju, kurš informēs jūs par izstrādājuma pieņemšanu atpakaļ. Jums var pieprasīt maksu par atpakaļpieņemšanu un pārstrādāšanu. Mazus izstrādājumus (un mazos daudzumus) var pieņemt atpakaļ vietējās savākšanas vietās.

Spānijai: lūdzu, sazinieties ar izveidoto savākšanas sistēmas punktu vai vietējo varas iestādi par lietoto izstrādājumu pieņemšanu atpakaļ.

### 2. Citās valstīs ārpus ES

Ja vēlaties atbrīvoties no šī izstrādājuma, lūdzu, sazinieties ar savām vietējām varas iestādēm un uzziniet par pareizo utilizācijas metodi.

Informāciju par apkopi skatiet šeit: [www.sharpconsumer.com/contact/](http://www.sharpconsumer.com/contact/), informāciju par garantijas tiesībām skatiet šeit: [www.sharpconsumer.com/support/](http://www.sharpconsumer.com/support/) vai sazinieties ar izplatītāju, kur iegādājāties produktu.

Atbilstības deklarācijas ir pieejamas šeit: [www.sharpconsumer.com/documents-of-conformity/](http://www.sharpconsumer.com/documents-of-conformity/)

---


# SATURA RĀDĪTĀJS

NORĀDĪJUMI PAR DROŠĪBU .....	3
TEHNISKIE PARAMETRI.....	6
AEROGRIĻS UN PIEDERUMI .....	7
VADĪBAS PANELIS .....	8
PIRMS AEROGRIĻA IZMANTOŠANAS .....	8
LIETOŠANAS NORĀDĪJUMI.....	9
Automātiskā gatavošana .....	9
Sasaldētas pārtikas gatavošana .....	10
Priekšsildīšana.....	11
GROZĀMPOGA .....	12
APKOPE LIETOŠANAS LAIKĀ .....	12
TĪRĪŠANAS NORĀDĪJUMI .....	12
UZGLABĀŠANA .....	12
PROBLĒMU NOVĒRŠANA .....	13

## NORĀDĪJUMI PAR DROŠĪBU

### **Lietojot elektriskās ierīces, vienmēr ir jāievēro pamata piesardzības pasākumi, ietverot tālāk norādīto.**

- Bērni jāuzrauga, lai nodrošinātu, ka viņi nespēlējas ar ierīci.
- Šī ierīce nav paredzēta lietošanai cilvēkiem (tai skaitā bērniem) ar samazinātām fiziskajām, sensoriskajām vai garīgajām spējām vai ar pieredzes un zināšanu trūkumu, ja vien viņiem nav nodrošināta personas, kura atbild par viņu drošību, uzraudzība vai norādījumi par to, kā izmantot iekārtu.
- Notīriet aierogrila grozu un iekšējo katlu ar ziepjūdeni samitrinātu drānu. Izmantojiet tikai maigu ziepjūdeni.
- NETĪRIET ar metāla sūkli. Sūkļa daļas var nolūzt un saskarties ar elektriskajām daļām, radot elektrošoka risku. Var rasties arī virsmas bojājumi.
- Pirms uzglabāšanas un lietošanas ar mīkstu drānu noslaukiet ierīci un visas detaļas.
- Ja uz groza vai iekšējā katla ir traipi, kurus grūti notīrīt, pirms tīrīšanas ļaujiet tiem aptuveni 10 minūtes atmirkēt siltā ūdenī.
- Grila grozu un iekšējo katlu var mazgāt trauku mazgājamajā mašīnā.
- Gatavošanas laikā NEPĀRPILDIET. Pārpildīšana var radīt traumas vai īpašuma bojājumus vai ietekmēt ierīces drošu lietošanu.
- NELIETOJIET iekšējā katlā eļļu un nekādu citu šķidrumu.
- NELIETOJIET šo ierīci dziļajai cepšanai.
- Pārlicinieties, vai pārtikas produkti ir pareizi sagatavoti un pagatavoti, lai izvairītos no jebkāda apdraudējuma veselībai.
- Novērsiet pārtikas produktu saskari ar sildelementiem.
- VIENMĒR pirms lietošanas pārlicinieties, vai ierīce ir pareizi salikta.
- NEIEVIETOJIET aerogrīlā nevienu no šiem materiāliem: kartons, plastmasa, papīrs vai jebkas līdzīgs.

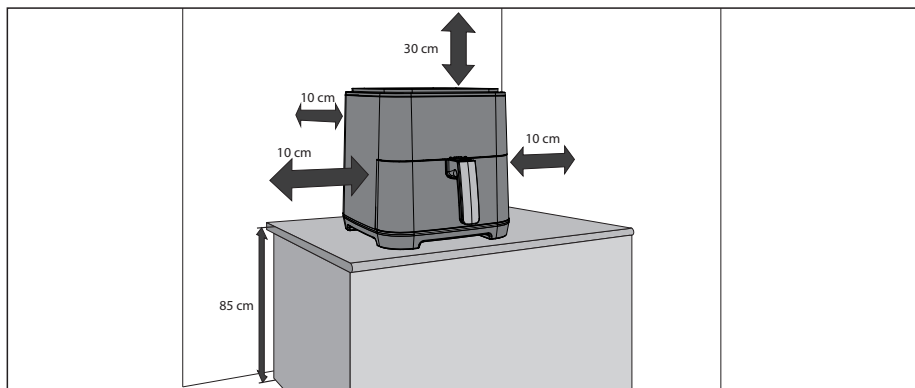
- 
- NEUZGLABĀJIET aerogrīlā, kad tas netiek lietots, nevienu materiālu, kas neietilpst komplektā.
  - NELIETOJIET ierīci tai neparedzētā veidā.
  - NELIETOJIET ārpus telpām.
  - Ja ir nepieciešams padoms saistībā ar šo izstrādājumu, sazinieties ar Sharp palīdzības dienestu.
  - Turiet ierīci tikai aiz tam paredzētajiem rokturiem un izmantojiet tādas karstuma aizsardzības līdzekļus kā cimdi vai katlu turētāji.
  - Izlasiet visus šos norādījumus, lai iepazītos ar šī aerogrīla darbību. NEPIESKARIETIES karstām virsmām; ja iespējams, izmantojiet rokturus vai vadības ierīces (atkarībā no modeļa).
  - Nav ieteicama neapstiprinātu piederumu lietošana, jo tas var radīt apdraudējumu un traumas.
  - Šī ierīce ir paredzēta TIKAI LIETOŠANAI MĀJĀS.
  - Lai novērstu iekšējā katla nokrišanu uz grīdas, pirms aerogrīla groza pacelšanas novietojiet iekšējo katlu uz stabilas virsmas.
  - Lietošanas laikā pārliedcinieties, vai rokturis ir vērsts pret jums.
  - UZMANĪBU! Zīme  nozīmē, ka IERĪCES VIRSMAS LIETOŠANAS LAIKĀ UN PĒC TAM IR KARSTAS. NEPIESKARIETIES karstajām virsmām.
  - Ierīces lietošanas laikā NEAIZSEDZIET gaisa ieplūdes atveres un gaisa izplūdes atveres. Tas novērsīs vienmērīgu gatavošanu un var sabojāt ierīci vai izraisīt tās pārkaršanu.
  - Gatavošanas laikā un uzreiz pēc tās NEPIESKARIETIES piederumiem.
  - Īpaša piesardzība jāievēro, kad ierīce satur karstu pārtiku. Nepareiza lietošana var radīt traumas.
  - Pēc gatavošanas atstājiet ierīci atdzišanai uz pietiekamu laiku.
  - Ļaujiet aerogrīlam pirms tīrīšanas atdzist.

- **BRĪDINĀJUMS!** Lietošanas laikā aerogrils uzkarst un dažas virsmas kļūst karstas. Tā kā cilvēki uztver temperatūru, šī ierīce jālieto uzmanīgi.
- Pieskaroties karstajām virsmām, karstam aerogrila grozam, iekšējam katlam un pārtikas produktiem, lietojiet aizsargcimdus.
- Izmantojot šo ierīci, nodrošiniet pietiekami daudz vietas virs ierīces un visās tās pusēs, lai nodrošinātu gaisa cirkulāciju. Pirms atvēršanas VIENMĒR nodrošiniet, ka iekšējais katls ir pareizi aizvērts.
- **NEĻAUJIET** strāvas vadam nokarāties virs darba virsmas malas un pieskarties karstajām virsmām.
- **NELIETOJIET** ierīci, ja strāvas vads vai kontaktdakša ir jebkādā veidā bojāta, ierīcei ir radusies kļūme vai tā ir jebkādā citā veidā bojāta.
- **NEVEICIET** strāvas vada un kontaktdakšas nomaiņu un pārveidi.
- **NELIETOJIET** pagarinātāju.
- Pārliedzinieties, vai strāvas kontaktlīdziņa / slēdzis ir pieejams, kad aerogrils tiek lietots.
- Šo aerogrilu nav paredzēts lietot, izmantojot ārēju taimeri vai atsevišķu tālvadības ierīci.
- Kad ierīce netiek izmantota un vai jāveic tās tīrīšana, atvienojiet to no strāvas padeves avota.
- Atvienojot strāvas kontaktdakšu no strāvas padeves avota, vienmēr satveriet kontaktdakšu, nekad nevelciet aiz vada.
- Kad pārtraucat aerogrila lietošanu, nospiediet **APTURĒŠANAS/ATCELŠANAS** pogu, lai pārslēgtu atpakaļ uz gaidstāves režīmu, pēc tam atvienojiet strāvas padevi.
- Lai aizsargātu pret elektrošoku, **NEMĒRCIET** aerogrilu ūdenī un citos šķīdumos.
- **NEAIZSEDZIET** nevienu aerogrila daļu, kad tas darbojas, jo tas var radīt pārkaršanu.
- **NENOVĪETOJIET** aerogrilu uz karstas virsmas, blakus gāzes/

elektriskajam deglim un neievietojiet to cepeškrāsnī.

- Lai aerogrila lietošanas laikā nodrošinātu pietiekamu gaisa cirkulāciju, atstājiet vismaz 100 mm brīvas vietas uz visām pusēm.

**UZGLABĀJIET ŠO ROKASGRĀMATU DROŠĀ VIETĀ TURPMĀKAI ATSAUCEI**



## TEHNISKIE PARAMETRI

Modeļa nosaukums	GS404A
Aerogrila jauda (W)	1300
Aerogrila temperatūras līmeņi (Celsijs)	No 80 °C līdz 200 °C
8 automātiskās programmas	Kartupeļi, liellopa gaļa, dārzeņi, maza vista, bekons, zivis, kartupeļi, pica
2 funkcijas	Iepriekšēja uzsildīšana, sasaldētas pārtikas gatavošana
Tilpums (litri)	4,0
Vadības panelis	Digitāls ar grozāmo vadības ierīci
Aerogrila groza pārklājums	Nelipošs
Cepšanas groza izmērs (diametrs x augstums mm)	Ø 190 x 50
Iekšējā katla pārklājums	Nelipošs
Iekšējā katla izmēri (diametrs x augstums mm)	200 x 120
Strāvas vada garums (mm)	900
Trokšņu līmenis (dB)	55–62
Enerģijas patēriņš (W)	1300
Jaudas prasības	220–240 V 50 Hz
Strāvas patēriņš gaidstāves režīmā (W)	<0.5
Izmēri (G x A x Dz. mm)	261 x 338 x 327
Svars (kg)	4,5

Šis izstrādājums atbilst Apvienotās Karalistes un ES attiecīgajām regulām un standartiem.

SASKAŅĀ AR PASTĀVĪGAS UZLABOŠANAS POLITIKU MĒS PATURAM TIESĪBAS MAINĪT KONSTRUKCIJU UN TEHNISKOS PARAMETRUS BEZ BRĪDINĀJUMA.



## AEROGRILS UN PIEDERUMI

**Pirms pirmās lietošanas reizes iepazīstieties ar tālāk norādītajām aerogrila funkcijām un piederumiem.**

**Iekšējais katls:** ievietojiet aerogrila grozu iekšējā katlā un pēc tam iekšējo katlu ievietojiet aerogrīlā.

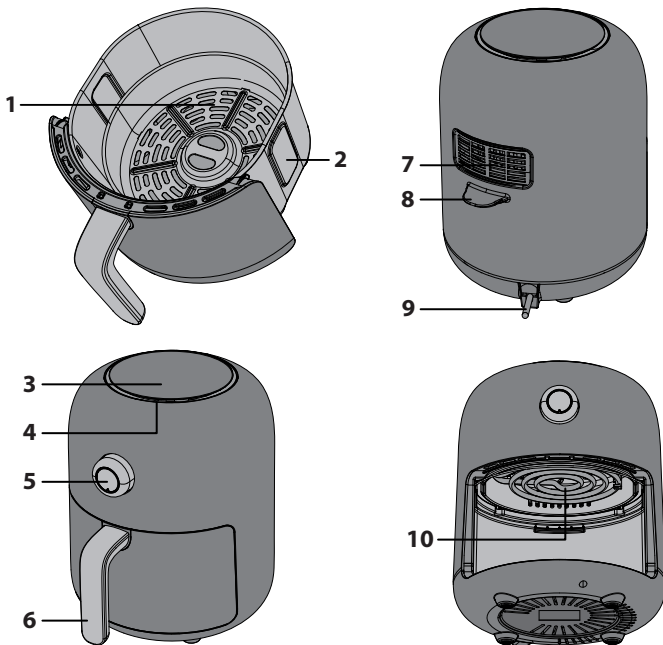
**Aerogrīla grozs:** ievietojiet pārtiku aerogrīla grozā un pēc tam aerogrīla grozu ievietojiet iekšējā katlā, lai gatavotu.

**PIEZĪME.** Lai novērstu iekšējā katla nokrišanu uz grīdas, pirms aerogrīla groza izcelšanas novietojiet iekšējo podu uz stabilas virsmas.

**Gaisa izplūdes atvere:** lietošanas laikā pa izplūdes atveri izplūst karsts tvaiks (tas ir normāli). Gatavošanas laikā turiet rokas un seju tālāk no gaisa izplūdes vietas, lai novērstu applaucēšanos.

**Rokturis:** tas tiek izmantots, lai izņemtu iekšējo katlu un aerogrīla grozu no aerogrīla un ievietotu tos atpakaļ.

1. Aerogrīla grozs
2. Iekšējais katls
3. Vadības panelis
4. Gaisa ieplūdes vieta
5. Grozāmā poga
6. Aerogrīla groza rokturis
7. Gaisa izplūdes atvere
8. Satveršanas rokturis
9. Strāvas vads
10. Sildelements



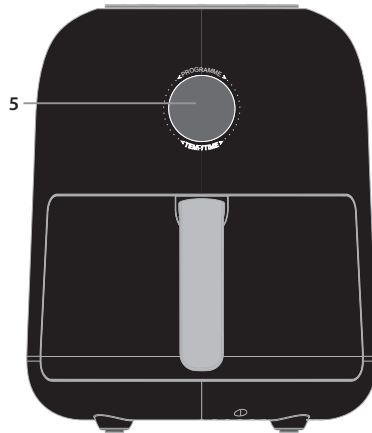
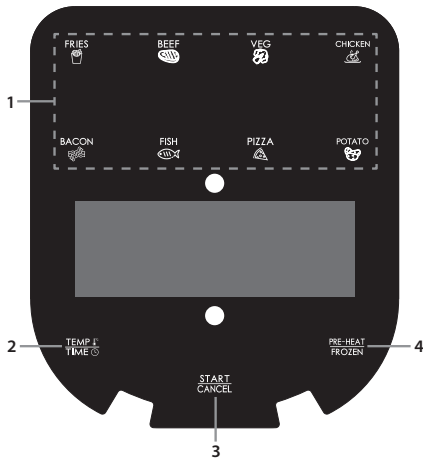
### GAISA PLŪSMAS VIRZIENS

Gatavošanas laikā karstais gaiss no sildelementa pārvietojas, kā norādīts attēlā tālāk. Tas nodrošina, ka ēdiens tiek pagatavots vienmērīgi iestatītajā temperatūrā un laika periodā. Neizmantojiet tādus materiālus kā alumīnija folija, kas var aizsegāt gaisa plūsmu vai pārpildīt aerogrīla grozu.



# VADĪBAS PANELIS

1. **Automātiskās gatavošanas pogas** — automātiskās gatavošanas programmas, atlasiet no 8 opcijām.
2. **Temperatūra/laiks** — izmantojiet šo pogu, lai manuāli vadītu temperatūru un laiku.
3. **Start/Cancel** — sāk aerogrila darbību vai atceļ/pauzē darbību.
4. **Pre-Heat/Frozen** — aerogrila priekšsildīšanai līdz pareizajai gatavošanas temperatūrai vai sasaldēta ēdiena gatavošanai.
5. **Grozāmā vadības ierīce** — izmanto laika un temperatūras pielāgošanai.



# PIRMS AEROGRILA IZMANTOŠANAS

Pirms aerogrila pirmās lietošanas reizes un pēc pilnīgas izsaiņošanas un visa iepakojuma materiāla noņemšanas no iekšējā katla un aerogrila groza ieteicams tos tīrīt ar karstu ziepju ūdeni vai trauku mazgājamajā mašīnā. Pēc tam tos pilnībā nožāvējiet un ielieciet atpakaļ aerogrīlā. Pirms lietošanas noslaukiet ārējo korpusu un iekšējās detaļas ar mitru drānu un nožāvējiet.

Pieslēdziet ierīci elektrotīklam un iestatiet ierīci uz frī kartupeļu gatavošanu (ierīcē neievietojiet nekādus ēdienus). Tas ieslēgs ierīci 180 °C temperatūrā uz 23 minūtēm, lai izkļiedtos visi atlikumi, kas ražošanas laikā var būt pielipuši pie sildelementa.

Pirms lietošanas ieteicams pilnībā izlasīt šos lietošanas norādījumus.

# LIETOŠANAS NORĀDĪJUMI

**Aerogrīlam ir vairāki darbības režīmi.**

**Automātiskā gatavošana** — atlasiet vienu no 8 iepriekš ieprogrammētajām gatavošanas opcijām.

**Sasaldētas pārtikas pagatavošana** — sasaldētas pārtikas pagatavošanai (tikai dārzeņi, picas un kartupeļi).

**Priekšsildīšana** — nodrošina, ka aerogrīlam pirms gatavošanas ir sasniegta pareiza temperatūra.

**Piezīmes par gatavošanu**

- Ēdiena daudzums nedrīkst aizpildīt vairāk nekā 4/5 no kopējā aerogrīla groza tilpuma.
- Gatavošanas temperatūru un laiku var pielāgot gatavošanas laikā.
- Lai pārtrauktu gatavošanu, izvelciet iekšējo trauku no ierīces; kad tas tiks ievietots atpakaļ, ierīce sāks darboties automātiski.
- Lai atceltu gatavošanu, divreiz nospiediet pogu **“START/CANCEL”**.
- Dažus ēdienus gatavošanas laikā būs nepieciešams maisīt/sakratīt: Ja nepieciešams, izvelciet iekšējo trauku no ierīces, samaisiet/sakratiet un pēc tam atgrieziet iekšējo trauku gaisa fritē; gaisa fritē automātiski ieslēgsies no jauna.
- Pārliedzinieties, vai ēdiena tiek pagatavots pareizi. Ja ēdiens nav pagatavots, atlieciet to atpakaļ aerogrīlā un gatavojiet ilgāk.
- Lai novērstu iekšējā katla nokrišanu uz grīdas, pirms aerogrīla groza izcelšanas novietojiet iekšējo katlu uz stabilas virsmas.
- Gatavojiet ēdienu tikai šajā aerogrīlā.
- NELIETOJĒT dzīvajai cepšanai taukos.

## Automātiskā gatavošana

Jūsu ērtībai ir pieejamas 8 automātiskās gatavošanas programmas. Tām viegli piekļūt, izmantojot tam paredzētās vadības paneļa pogas.

Piemērā tālāk tiek gatavota liellopa gaļa. Nav nepieciešams pielāgot temperatūru vai laiku, ja vien nevēlaties gatavot ilgāk vai mazāk.



1. Vienmērīgi izkārtējiet gatavojamo pārtiku aerogrīla grozā.
2. Ievietojiet aerogrīla grozu iekšējā katlā. Ievietojiet iekšējo katlu aerogrīlā.
3. Pievienojiet aerogrīlu pie strāvas padeves avota.
4. Atlasiet vēlamo pārtiku, vadības panelī spiežot automātiskās gatavošanas pogu. Noklusējuma temperatūra un laiks mirgo LED displejā.
  - a. Ja nepieciešams, vienreiz nospiediet pogu **“TEMP/TIME”** un pēc tam grieziet **GROZĀMO POGU**, lai iestatītu vēlamo gatavošanas temperatūru.
  - b. Ja nepieciešams, divreiz nospiediet pogu **“TEMP/TIME”** un pēc tam grieziet **GROZĀMO POGU**, lai iestatītu vēlamo gatavošanas laiku.
5. Vienreiz nospiediet pogu **“START/CANCEL”**, lai sāktu gatavošanu. Tiek uzsākta laika atskaite.
6. Kad gatavošana ir pabeigta, aerogrīlā atskan skaņas signāls un ierīce tiek pārslēgta gaidstāves režīmā.
7. Uzmanīgi izvelciet iekšējo katlu un nekavējoties izņemiet ēdienu no aerogrīla groza. Pretējā gadījumā atlikušais karstums aerogrīlā turpina gatavošanu un izžāvē ēdienu.

**Piezīme.** Ja maināt automātiskās gatavošanas laiku, iespējams palielināt tikai par 30%. Tas paredzēts, lai izvairītos no iespējas sadedzināt ēdienu.

Pārtika	Svars	Sākotnējā ēdiena temperatūra	Gatavošanas laiks	Maksimālā papildu temperatūra	Apgriešana	Sasaldētas pārtikas gatavošanas laiks	Temperatūra	Piezīmes
Kartupeļi	200 g – 500 g	Telpas temperatūra	No 15 līdz 20	23	Jā	26	180	Do not overload the pot.
Liellopu gaļa	150 g – 500 g		No 8 līdz 12	16	Jā	-	200	Var pagatavot līdz 270 g liellopa steika
Dārzeņi	100 g – 400 g		10	13	Jā	14	190	Cut up vegetables into pieces 2 x 3cm.
Vista	800 g – 1000 g		30	39	Jā	-	190	Vesela vista vai lieli gabali
Bekons	4-6 bekona šķēles		9	12	-	-	180	Vienmērigi izkārtotiet bekona šķēles aerogrila grozā
Zivs	100 g – 500 g		12	16	Jā	-	200	Place fish pieces directly onto the base of the frying basket.
Kartupeļi	250 g katrs		40	52	Jā	-	200	Ievietojiet aerogrila 3 kartupeļus. Katrs 250 g.
Pica	100 g – 400 g		13	17	-	18	160	Place whole or pizza pieces directly in the frying basket.

## Sasaldētas pārtikas gatavošana

Lai gatavotu sasaldētu pārtiku, izpildiet automātiskās gatavošanas norādes, bet vispirms nospiediet pogu **“FROZEN”**.



- Vienmērigi izkārtotiet gatavojamo pārtiku aerogrila grozā.
- Ievietojiet aerogrila grozu iekšējā katlā. Ievietojiet iekšējo katlu aerogrila.
- Pievienojiet aerogrilu pie strāvas padeves avota.
- Divreiz nospiediet pogu **“PRE-HEAT/FROZEN”**.
- Atlasiet vēlamu funkciju, vadības panelī spiežot funkciju pogu. Noklusējuma temperatūra un laiks mirgo LED displejā.
  - Ja nepieciešams, vienreiz nospiediet pogu **“TEMP/TIME”** un pēc tam grieziet **GROZĀMO POGU**, lai iestatītu vēlamu gatavošanas temperatūru.
  - Ja nepieciešams, divreiz nospiediet pogu **“TEMP/TIME”** un pēc tam grieziet **GROZĀMO POGU**, lai iestatītu vēlamu gatavošanas laiku.
- Vienreiz nospiediet pogu **“START/CANCEL”**, lai sāktu gatavošanu. Tiek uzsākta laika atskaite.
- Kad gatavošana ir pabeigta, ierīcē atskan skaņas signāls un ierīce tiek pārslēgta gaidstāves režīmā.
- Nospiediet atvēršanas pogu un uzmanīgi velciet iekšējā katla rokturi un izņemiet ēdieni.

Sasaldētas pārtikas gatavošana ir iespējama tikai režīmā **FRIES, VEGETABLES** un **PIZZA**.

Lai gatavotu saldētu pārtiku, skatiet manuālās gatavošanas ieteikumus.

## Priekšsildīšana

Lai nodrošinātu, ka aerogrīlā ir sasniegta ēdiena pagatavošanai pareizā temperatūra, pieejama priekšsildīšanas funkcija, kuru var izmantot pirms automātiskās gatavošanas un manuālās gatavošanas funkcijas. Pirms jebkuras funkcijas atlasē vienreiz nospiediet priekšsildīšanas pogu.



1. Ievietojiet aerogrīla grozu iekšējā katlā. Ievietojiet iekšējo katlu aerogrīlā.
2. Pievienojiet aerogrīlu pie strāvas padeves avota.
3. Vienreiz nospiediet pogu **PRE-HEAT/FROZEN.**
4. Atlasiet vēlamo pārtiku, vadības panelī spiežot attiecīgo automātiskās gatavošanas pogu. Noklusējuma temperatūra un laiks mirgo LED displejā.
  - a. Ja nepieciešams, vienreiz nospiediet pogu **TEMP/TIME** un pēc tam grieziet **GROŽĀMO POGU**, lai iestatītu vēlamo gatavošanas temperatūru.
  - b. Ja nepieciešams, divreiz nospiediet pogu **TEMP/TIME** un pēc tam grieziet **GROŽĀMO POGU**, lai iestatītu vēlamo gatavošanas laiku.
5. Nospiediet pogu **START/CANCEL.**
6. Kad ierīce sasniedz pareizu priekšsildīšanas temperatūru, tiek atskaņots skaņas signāls.
7. Izņemiet iekšējo katlu un vienmērīgi izkārtējiet gatavojamo pārtiku aerogrīla grozā.
8. Ievietojiet iekšējo katlu / aerogrīla grozu aerogrīlā.
9. Gaisa fritēšanas ierīce ieslēdzas automātiski un laiks tiek skaitīts uz leju.
10. Kad gatavošana ir pabeigta, ierīcē atskan skaņas signāls un ierīce tiek pārslēgta gaidstāves režīmā.
11. Izvelciet iekšējo trauku un atcerieties, ka ar ēdienu jārikojas uzmanīgi, un nekavējoties izņemiet to no gaisa fritēšanas groza, pretējā gadījumā karstums, kas paliek gaisa fritē, turpinās gatavot un izžāvēt ēdienu.

# GROZĀMPOGA

Gaisa aerogrila grozāmpoga ir vairākas funkcijas, dažas no tām dublē vadības paneļa pogas.

Kad aerogrils ir pievienots pie strāvas padeves avota, tiek atvērts funkciju iestatīšanas režīms un redzama pirmā automātiskās programmas režīma temperatūra.

Lai atlasītu vēlamo automātisko izvēlni, grieziet pogu, pēc tam spiediet pogas centru, līdz mirgo izvēlnes nosaukums.

Ja displejā redzamā temperatūra un redzamais laiks ir atbilstoši, nospiediet pogu **START/CANCEL**.

Ja nepieciešams, varat pielāgot atlasītās izvēlnes gatavošanas temperatūru un laiku, pirms nospiežat pogu **START/CANCEL**, lai sāktu gatavošanu.

1. Nospiediet pogu, un sāk mirgot temperatūras rādījums.
2. Grieziet pogu, lai iestatītu vēlamo gatavošanas temperatūru.
3. Nospiediet pogu, lai apstiprinātu temperatūras iestatījumu. Sāk mirgot laika cipari.
4. Grieziet pogu, lai iestatītu vēlamo gatavošanas laiku.
5. Nospiediet pogas centru, lai sāktu gatavošanas procesu.

Lai atceltu gatavošanu, nospiediet pogas centru.

# APKOPE LIETOŠANAS LAIKĀ

Šai ierīcei lietošanas laikā nepieciešama neliela apkope. Notīriet aerogrilu pēc katras lietošanas reizes, lai pagarinātu kalpošanas laiku.

Šim aerogrīlam nav detaļu, kuru apkalpi var veikt lietotājs. Nemēģiniet remontēt paša spēkiem. Maz ticamā kļūmes gadījumā sazinieties ar SHARP zvanu centru, izmantojot lietotāja rokasgrāmatas sākumā ietverto informāciju.

# TĪRĪŠANAS NORĀDĪJUMI

**UZMANĪBU!** Lai aizsargātu pret elektrošoku, NEMĒRCIET AEROGRIĻU ŪDENĪ UN NEKĀDOS CITOS ŠKIDRUMOS.

Lai nodrošinātu labāko veiktspēju un ilgu kalpošanas laiku, aerogrils regulāri jātīra. Regulāra tīrīšana arī samazina aizdegšanās risku. Lai notīrītu, izpildiet tālāk sniegtos norādījumus.

1. Atvienojiet kontaktdakšu no strāvas padeves avota. Ļaujiet aerogrīlam atdzist.
2. Notīriet aerogrila grozu un iekšējo katlu ar mitru ziepjūdens drānu. Noteikti izmantojiet tikai maigu ziepjūdeni. Ja traips grozā vai iekšējā katlā ir pārāk grūti notīrīt, ļaujiet tiem apmēram 10 minūtes izmirkēt siltā ūdenī.
3. Notīriet sildelementus ar sausu un mīkstu drānu.
4. Noslaukiet aerogrila ārpusi ar mīkstu, mitru drānu, pēc tam nožāvējiet.

**UZMANĪBU!** NELIETOJIET ABRAZĪVUS TĪRĪŠANAS LĪDZEKĻUS UN NEKĀDA VEIDA TĪRĪŠANAS MATERIĀLU uz aerogrila groza virsmas un iekšējā katla. Noteikti izmantojiet tikai maigu ziepjūdeni. Abrazīvi tīrīšanas līdzekļi, metāla sūkļi un ķīmiskie tīrīšanas līdzekļi var sabojāt šīs ierīces pārklājumu.

Izņemot ieteikto tīrīšanu, lietotājam jāveic papildu apkope.

Jebkāda cita apkope ir jāveic pie pilnvarota servisa centra pārstāvja.

# UZGLABĀŠANA

Atvienojiet ierīci, ļaujiet tai atdzist un pirms uzglabāšanas notīriet. Uzglabājiet aerogrilu tā kārbā tīrā, sausā vietā.

Nekad neuzglabājiet ierīci, kad tā ir karsta vai joprojām pievienota pie strāvas padeves avota. Nenoslēgiet kabeli vietā, kur tas pievienots pie ierīces, jo kabelis kļūst vaļīgs un salūzt.

Ja uzglabājat aerogrilu uz ilgāku laika periodu, pārļiecinieties, ka aerogrils ir tīrs un bez ēdiena atlikumiem. Uzglabājiet aerogrilu sausā vietā, piemēram, uz galda, darba virsmas vai trauku skapī.

## PROBLĒMU NOVĒRŠANA

Ja rodas problēmas ar aerogrīlu, izpildiet tālāk sniegtās norādes.

Aerogrīls nedarbojas	Ierīce nav pievienota vai nav ieslēgta.	Pārliedzieties, vai kontaktakšis ir ievietots sienas kontaktligzdā un ir ieslēgta.
	Nav iestatīts laiks vai temperatūra.	Iestatiet laiku un temperatūru, pēc tam nospiediet pogu "START/CANCEL".
	Iekšējais katls nav pareizi nofiksēts ierīcē	Spiediet iekšējo katlu aerogrīlā, līdz tas "noklikšķņ"
Aerogrīlā ceptās sastāvdaļas nav gatavas.	Aerogrīla grozā ievietos pārāk daudz pārtikas.	Ievietojiet aerogrīla grozā mazāk sastāvdaļu. Mazāki gabali tiek cepti vienmērīgāk.
	Iestatītā temperatūra ir pārāk zema.	Pielāgojiet temperatūru līdz nepieciešamajam temperatūras iestatījumam.
	Gatavošanas laiks ir pārāk īss.	Pielāgojiet taimerī līdz nepieciešamajam gatavošanas laikam.
Ceptās uzkodas nav kraukšķīgas, kad tās tiek izņemtas no aerogrīla.	Izmantotās uzkodas ir jāpagatavo, izmantojot tradicionālo dziļo cepšanu.	Izmantojiet uzkodas, kas iepriekš sagatavotas krāsni, vai uzklājiet nelielu eļļas daudzumu uz uzkodām, lai panāktu kraukšķīgāku rezultātu.
Grūti vai neiespējami iekšējo katlu un aerogrīla grozu pareizi ievietot ierīcē.	Aerogrīla grozā ievietos pārāk daudz pārtikas.	Nepārpildiet aerogrīla grozu.
	Aerogrīla grozs nav pareizi ievietots iekšējā katlā	Spiediet aerogrīla grozu lejup iekšējā katlā, līdz dzirdat klikšķi.
No ierīces izplūst balti dūmi.	Jūs gatavojat eļļainas sastāvdaļas.	Mēģinot aerogrīlā cept eļļainas sastāvdaļas, liels eļļas daudzums notek katlā. Šī eļļa var radīt baltus dūmus, un katls var uzkarst vairāk nekā ierasts. Tas neietekmē ierīci vai gala rezultātu.
	Katls joprojām satur taukvielas no iepriekšējās gatavošanas reizes.	Baltos dūmus rada iekšējā katlā uzkarstošās taukvielas. Pēc katras lietošanas reizes notīriet aerogrīla grozu un iekšējo katlu.
Svaigie kartupeļi aerogrīlā tiek pagatavoti nevienmērīgi.	Jūs izmantojat nepareiza veida kartupeļus.	Izmantojiet svaigus kartupeļus un pārliedzieties, ka tie cepšanas laikā paliek stingri.
	Pirms cepšanas pareizi nenoskalojāt kartupeļu salmiņus.	Pilnībā noskalojiet kartupeļu salmiņus, lai noņemtu cieti no salmiņu ārpusēm.
Svaigie kartupeļi nav kraukšķīgi, kad tie tiek izņemti no aerogrīla.	Kartupeļu kraukšķīgums ir atkarīgs no eļļas daudzuma/veida un ūdens satura kartupeļos.	Noteikti pareizi nožāvējiet kartupeļu salmiņus pirms eļļas pievienošanas.
		Lai sasniegtu kraukšķīgāku rezultātu, sagrieziet kartupeļus plānākos salmiņos.
		Kraukšķīgumam pievienojiet nedaudz vairāk eļļas.

Ja joprojām ir problēmas, sazinieties ar SHARP palīdzības centru, izmantojot lietotāja rokasgrāmatas sākumā pieejamo informāciju.



### Let op:

Uw product is van dit merkteken voorzien.

Dit betekent dat afgedankte elektrische en elektronische apparatuur niet samen met het normale huisafval mogen worden weggegooid. Er bestaat een afzonderlijk inzamelingsstelsel voor deze producten.



[www.sharpconsumer.com/contact/](http://www.sharpconsumer.com/contact/)



[www.sharpconsumer.com/support/](http://www.sharpconsumer.com/support/)



[www.sharpconsumer.com/documents-of-conformity/](http://www.sharpconsumer.com/documents-of-conformity/)

## A. Informatie over afvalverwijdering voor gebruikers (particuliere huishoudens)

### 1. In de Europese Unie

Let op: Deze apparatuur niet samen met het normale huisafval weggooien! Afgedankte elektrische en elektronische apparatuur moet gescheiden worden ingezameld conform de wetgeving inzake de verantwoorde verwerking, terugwinning en recycling van afgedankte elektrische en elektronische apparatuur.

Na de invoering van de wet door de lidstaten mogen particuliere huishoudens in de lidstaten van de Europese Unie hun afgedankte elektrische en elektronische apparatuur kosteloos\* naar hiertoe aangewezen inzamelingsinrichtingen brengen\*.

In sommige landen\* kunt u bij de aanschaf van een nieuw apparaat het oude product kosteloos bij uw lokale distributeur inleveren.

\*) Neem contact op met de plaatselijke autoriteiten voor verdere informatie. Indien uw gebruikte elektrische of elektronische apparatuur batterijen of accu's bevat, dan dienen deze hieraan vooraf afzonderlijk, conform de plaatselijke voorschriften, te worden weggegooid. Door dit product op een verantwoorde manier weg te gooien, zorgt u ervoor dat het afval de juiste verwerking, terugwinning en recycling ondergaat en potentiële negatieve effecten op het milieu en de menselijke gezondheid worden voorkomen, die anders door het verkeerd verwerken van het afval zouden kunnen ontstaan.

### 2. In andere landen buiten de Europese Unie

Als u dit product wilt weggooien, neem dan contact op met de plaatselijke autoriteiten voor informatie omtrent de juiste verwijderingsprocedure. Voor Zwitserland: U kunt afgedankte elektrische en elektronische apparatuur kosteloos bij de distributeur inleveren, zelfs als u geen nieuw product koopt. Aanvullende inzamelingsinrichtingen zijn vermeld op de startpagina van [www.swico.ch](http://www.swico.ch) of [www.sens.ch](http://www.sens.ch).

## B. Informatie over afvalverwijdering voor bedrijven

### 1. In de Europese Unie

Als u het product voor zakelijke doeleinden heeft gebruikt en als u dit wilt weggooien:

Neem contact op met uw SHARP distributeur die u inlichtingen verschaft over de terugname van het product. Het kan zijn dat u een afvalverwijderingsbijdrage voor de terugname en recycling moet betalen. Kleine producten (en kleine hoeveelheden) kunnen door de lokale inzamelingsinrichtingen worden verwerkt.

Voor Spanje: Neem contact op met de inzamelingsinrichting of de lokale autoriteiten voor de terugname van uw afgedankte producten.

### 2. In andere landen buiten de Europese Unie

Als u dit product wilt weggooien, neem dan contact op met de plaatselijke autoriteiten voor informatie omtrent de juiste verwijderingsprocedure.



# INHOUDSOPGAVE

VEILIGHEIDSMATREGELEN .....	3
SPECIFICATIES .....	7
AIRFRYER EN ACCESSOIRES .....	8
BEDIENINGSPANEEL .....	9
ALVORENS U DE AIRFRYER GEBRUIKT .....	9
BEDIENINGSINSTRUCTIES.....	10
Automatische bereiding .....	10
Bevroren etenswaren bereiden .....	11
Voorverwarmen .....	12
DRAAIKNOP.....	13
ONDERHOUD TIJDENS GEBRUIK .....	13
REINIGINGSINSTRUCTIES .....	13
OPBERGEN .....	14
PROBLEEMOPLOSSING.....	14

---

## VEILIGHEIDSMATREGELEN

**Bij het gebruik van een elektrische apparaat dienen bepaalde basale voorzorgsmaatregelen altijd te worden gevolgd, waaronder de volgende:**

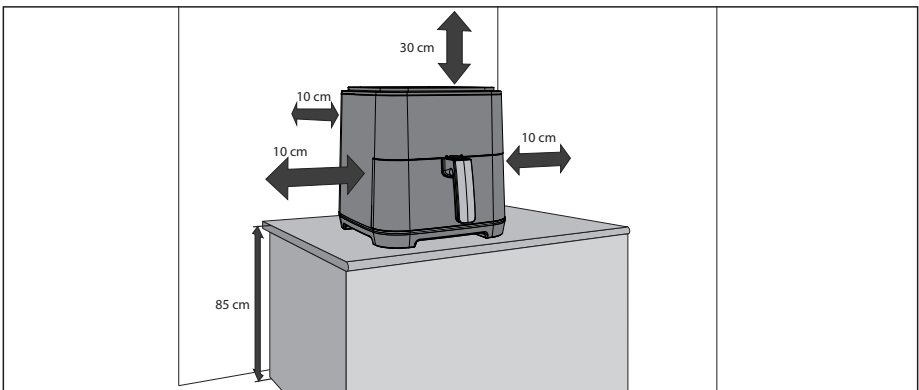
- Houd toezicht op kinderen zodat zij NIET met het apparaat kunnen spelen.
- Dit apparaat is niet bedoeld voor gebruik door personen (inclusief kinderen) met verminderde fysieke, zintuiglijke of verstandelijke vermogens, of gebrek aan ervaring of kennis, tenzij zij onder toezicht of instructies hebben ontvangen over het gebruik van het apparaat door de verantwoordelijke van hun veiligheid.
- Reinig het air fry-mandje en de binnenpan met een vochtige doek en een beetje zeep. Gebruik alleen mild zeepwater.
- Reinig het apparaat NIET met metalen schuursponsjes. Er kunnen stukjes van het sponsje afbreken en deze kunnen in contact komen met elektrische onderdelen. Hierdoor ontstaat een risico op elektrische schokken en kan het oppervlak beschadigd raken.
- Veeg het apparaat en alle onderdelen met een zachte doek droog alvorens u het opbergt of gebruikt.
- Als er vlekken op het mandje of de binnenpan zitten die moeilijk te verwijderen zijn, laat het mandje of de binnenpan dan ongeveer 10 minuten weken in warm water voordat u deze reinigt.
- U kunt het air fry-mandje en de binnenpan in de vaatwasmachine reinigen.
- Maak het apparaat NIET te vol tijdens de bereiding. Een te vol mandje of te volle binnenpan kan persoonlijk letsel of materiële schade veroorzaken of het veilige gebruik van het apparaat beïnvloeden.
- Gebruik GEEN olie of andere vloeistof in de binnenpan.
- Gebruik dit apparaat NIET om te frituren.

- Zorg ervoor dat het voedsel correct wordt bereid om gevaar voor de gezondheid te voorkomen.
- Voorkom dat de etenswaren in contact komen met verwarmingselementen.
- Controleer voorafgaand aan het gebruik ALTIJD of het apparaat goed gemonteerd.
- Plaats GEEN van de volgende materialen in de airfryer: karton, plastic, papier of iets dergelijks.
- Bewaar GEEN andere materialen dan de meegeleverde accessoires in de airfryer wanneer deze niet in gebruik is.
- Gebruik het apparaat voor NIETS anders dan het beoogde gebruik.
- Gebruik het apparaat NIET buiten.
- Als u advies nodig hebt over dit product, neem dan contact op met de Sharp-hulplijn
- Houd het apparaat alleen bij de handgrepen vast en gebruik hittebeschermende maatregelen zoals handschoenen of pannenlappen.
- Lees deze instructies zorgvuldig door zodat u vertrouwd bent met de werking van deze airfryer. Raak hete oppervlakken NIET aan, gebruik waar mogelijk de handgrepen of bedieningselementen (afhankelijk van het model).
- De fabrikant van het apparaat raadt het gebruik van accessoires af, aangezien dit gevaar of letsel kan veroorzaken.
- Dit product is UITSLUITEND bestemd voor HUISHOUDELIJK GEBRUIK.
- Om te voorkomen dat de binnenpan op de grond valt, zet u de binnenpan op een stabiele ondergrond alvorens u het air fry-mandje eruit haalt.
- Zorg er bij gebruik voor dat de handgreep naar u toe wijst.
- LET OP: de markering  betekent dat de oppervlakken van het apparaat heet zijn tijdens of na gebruik. Raak de hete oppervlakken NIET aan.

- 
- Dek de luchtinlaat of luchtuitlaat NIET af terwijl het apparaat in werking is. Als u dit wel doet, dan kan het apparaat de etenswaren niet gelijkmatig bereiden en beschadigd raken of oververhit raken.
  - Raak de accessoires NIET aan tijdens of onmiddellijk na de bereiding.
  - Wees uiterst voorzichtig wanneer het apparaat hete etenswaren bevat. Onjuist gebruik kan leiden tot persoonlijk letsel.
  - Laat het apparaat na gebruik staan zodat het voldoende tijd heeft om af te koelen.
  - Laat de airfryer afkoelen voordat u deze reinigt.
  - WAARSCHUWING: deze airfryer wordt tijdens het gebruik heet en sommige oppervlakken kunnen hoge temperaturen ontwikkelen. Aangezien mensen temperaturen waarnemen, moet dit apparaat voorzichtig gebruikt worden.
  - Draag beschermende, geïsoleerde handschoenen bij het aanraken van hete oppervlakken of het hete air fry-mandje, de binnenpan en etenswaren.
  - Zorg bij gebruik van dit apparaat boven en aan alle zijden voor voldoende ruimte voor luchtcirculatie. Zorg er ALTIJD voor dat u de binnenpan goed sluit alvorens u de airfryer gebruikt.
  - Laat het netsnoer NIET over de rand van het werkoppervlak hangen of hete oppervlakken aanraken.
  - Gebruik het apparaat NIET als het netsnoer of de stekker beschadigd is, als het apparaat niet goed functioneert of als het apparaat op een andere manier beschadigd is.
  - Vervang of wijzig het netsnoer of de stekker NIET.
  - Gebruik GEEN verlengsnoer.
  - Zorg ervoor dat het stopcontact/de schakelaar toegankelijk is wanneer de airfryer in gebruik is.
  - De airfryer is niet bedoeld om te worden bediend door een externe tijdklok of apart afstandsbediening-systeem.

- Haal de stekker uit het stopcontact als u het apparaat niet gebruikt of voordat u het reinigt.
- Als u de stekker uit het stopcontact trekt, pak dan altijd de stekker vast en trek nooit aan het snoer.
- Wanneer u de airfryer niet meer gebruikt, drukt u op STOP/CANCEL om terug te keren naar de stand-bymodus. Trek vervolgens de stekker uit het stopcontact.
- Dompel de airfryer NIET onder in water of andere vloeistoffen om elektrische schokken te voorkomen.
- Bedek GEEN enkel deel van de airfryer tijdens de werking, want dan raakt deze oververhit.
- Zet de airfryer NIET op hete oppervlakken, in de buurt van hete gas-/elektrische branders of in een verwarmde oven.
- Houd bij het gebruik van de airfryer aan alle kanten minstens 100 mm ruimte vrij voor een goede luchtcirculatie.

BEWAAR DEZE INSTRUCTIES OP EEN VEILIGE PLAATS VOOR TOEKOMSTIG GEBRUIK



# SPECIFICATIES

<b>Modelnaam</b>	<b>GS404A</b>
Vermogen van de airfryer (W)	1300
Temperatuurniveaus van de airfryer (Celsius)	80 °C tot 200 °C
8 automatische programma's	Frietjes, rundvlees, groenten, kleine kip, spek, vis, aardappels, pizza
2 functies	Voorverwarmen, bevroren etenswaren bereiden
Inhoud (liter)	4,0
Bedieningspaneel	Digitaal met draaiknop
Coating van het air fry-mandje	Anti-aanbaklaag
Afmetingen air fry-mandje (diameter x hoogte in mm)	Ø190 x 50
Coating van de binnenpan	Anti-aanbaklaag
Afmetingen binnenpan (diameter x hoogte in mm)	200 x 120
Lengte netsnoer (mm)	900
Geluidsniveau (dB)	55 - 62
Stroomverbruik (W)	1300
Vereist vermogen	220-240 V 50 Hz
Stroomverbruik in stand-by (W)	<0.5
Afmetingen (B x H x D in mm)	261 x 338 x 327
Gewicht [kg]	4,5

Dit product voldoet aan de relevante regelgeving en normen voor het VK en de EU.

ALS ONDERDEEL VAN ONS BELEID VAN CONTINUE VERBETERINGEN, BEHOUDEN WIJ HET RECHT OM HET ONTWERP EN DE SPECIFICATIES ZONDER VOORAFGAANDE KENNISGEVING TE WIJZIGEN.

## AIRFRYER EN ACCESSOIRES

**Maak uzelf vóór het eerste gebruik vertrouwd met de volgende airfryer-functies en accessoires:**

**Binnenpan:** plaats het air fry-mandje in de binnenpan en schuif de binnenpan vervolgens in de airfryer.

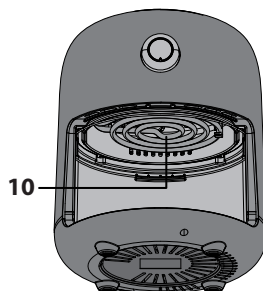
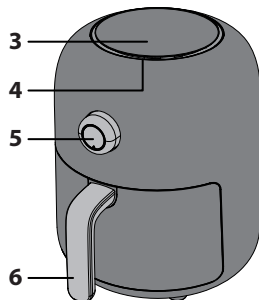
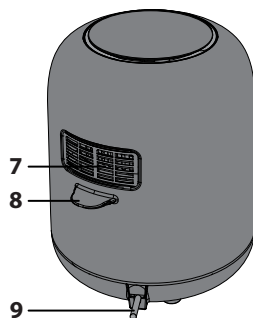
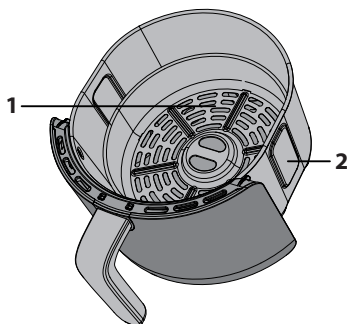
**Air fry-mandje:** leg de etenswaren in het air fry-mandje en zet dit vervolgens in de binnenpan om de etenswaren te bereiden.

**OPMERKING:** om te voorkomen dat de binnenpan op de grond valt, zet u de binnenpan op een stabiele ondergrond alvorens u het air fry-mandje eruit haalt.

**Luchtuitlaat:** tijdens het gebruik ontsnapt er hete stoom uit de uitlaat (dit is normaal). Blijf met uw handen en gezicht uit de buurt van de uitlaat om verbranding te voorkomen.

**Handgreep:** deze wordt gebruikt om de binnenpan en het air fry-mandje in de airfryer te zetten en om deze eruit te halen.

1. Air fry-mandje
2. Binnenpan
3. Bedieningspaneel
4. Luchtinlaat
5. Draaiknop
6. Handgreep air fry-mandje
7. Luchtuitlaat
8. Handgreep
9. Netsnoer
10. Verwarmingselement



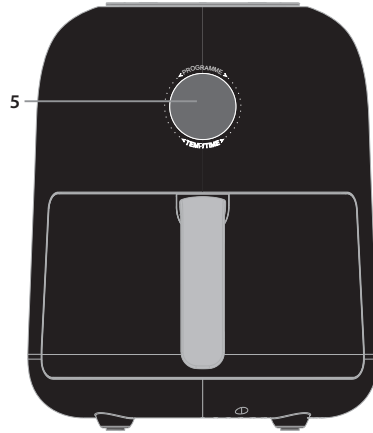
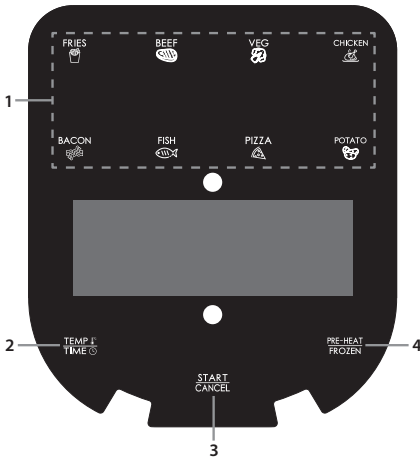
### LUCHTSTROOMRICHTING

Tijdens de bereiding verplaatst de hete lucht van het element zich zoals in de onderstaande afbeelding. Deze luchtverplaatsing zorgt ervoor dat uw etenswaren gelijkmatig gaar worden op de ingestelde temperatuur en tijdsduur. Gebruik geen materialen zoals metaalfolie die deze luchtstroom kunnen belemmeren en maak het air fry-mandje niet te vol.



# BEDIENINGSPANEEL

1. **Auto Cook-knoppen** - Automatische bereidingsprogramma's, keuze uit 8 opties.
2. **Temperature/time** - Gebruik deze knop om de temperatuur en tijd handmatig te regelen.
3. **Start/Cancel** - Gebruik deze knop om de werking van de airfryer starten en de werking te annuleren/pauzeren.
4. **Pre-Heat/Frozen** - Gebruik deze knop om de airfryer voor te verwarmen tot de juiste bereidingstemperatuur of om bevroren etenswaren te bereiden.
5. **Draaiknop** - Gebruik deze draaiknop om de tijd en temperatuur aan te passen.



# ALVORENS U DE AIRFRYER GEBRUIKT

Nadat u de verpakking volledig hebt verwijderd, raden we u aan om voordat u de airfryer voor het eerst gebruikt de binnenpan en het air fry-mandje te reinigen in een heet zeepwater of in de vaatwasser. Droog vervolgens alle accessoires goed af en zet deze weer in de airfryer. Veeg de behuizing en de binnenste delen af met een vochtige doek en veeg deze droog voor gebruik.

Steek de stekker in het stopcontact en stel het apparaat in op Frites bakken (geen voedsel in het apparaat doen). Hierdoor wordt het apparaat gedurende 23 minuten ingeschakeld op 180°C, zodat eventuele resten die tijdens de productie aan het verwarmingselement zijn blijven kleven, kunnen verdwijnen.

We raden u aan om deze instructies vóór gebruik volledig te lezen.



# BEDIENINGSINSTRUCTIES

**Uw airfryer heeft verschillende werkingsmodi:**

**Automatische bereiding** - kies één van de 8 voorgeprogrammeerde bereidingsopties.

**Bevroren etenswaren bereiden** - bereid bevroren etenswaren (alleen groenten, pizza en friet).

**Voorverwarmen** - zorg ervoor dat uw airfryer de juiste temperatuur heeft voor de bereiding.

## Opmerkingen over de bereiding

- De hoeveelheid etenswaren mag niet meer dan 4/5 van het totale air fry-mandje vullen.
- U kunt de bereidingstemperatuur en -tijd tijdens de bereiding aanpassen.
- Om het koken te pauzeren, trekt u de binnenpan uit het apparaat; wanneer u deze terugplaatst, start het apparaat automatisch.
- Om de bereiding te annuleren, drukt u twee keer op **START/CANCEL**.
- Sommige etenswaren moeten geroerd/geschud worden tijdens het bakken: Trek de binnenpan uit het apparaat, roer/schud indien nodig en plaats de binnenpan terug in de Air Fryer; de Air Fryer zal automatisch herstarten.
- Controleer of de etenswaren goed gaar zijn. Als de etenswaren niet gaar zijn, doe deze dan terug in de airfryer en bereid deze nog wat langer.
- Om te voorkomen dat de binnenpan op de grond valt, zet u de binnenpan op een stabiele, hittebestendige ondergrond alvorens u het air fry-mandje eruit haalt.
- Bereid alleen etenswaren in de airfryer.
- Gebruik het apparaat NIET om te frituren.

## Automatische bereiding

Voor uw gemak zijn er 8 automatische bereidingsprogramma's. Deze zijn gemakkelijk toegankelijk via de speciale knoppen op het bedieningspaneel.

In het onderstaande voorbeeld wordt rundvlees bereid. Het is niet nodig de temperatuur of de tijd aan te passen, tenzij u uw etenswaren gaarder of minder gaar wilt hebben.



1. Verdeel de te bereiden etenswaren gelijkmatig in het air fry-mandje.
2. Plaats het air fry-mandje in de binnenpan en schuif de binnenpan vervolgens in de airfryer.
3. Steek de stekker van de airfryer in het stopcontact.
4. Selecteer de gewenste etenswaren door op één van de Auto Cook-knoppen op het bedieningspaneel te drukken. De standaardtemperatuur en -tijd knipperen op het led-display.
  - a. Druk indien nodig één keer op **TEMP/TIME** en draai vervolgens aan de **DRAAIKNOP** om de gewenste bereidingstemperatuur in te stellen.
  - b. Druk indien nodig één keer op **TEMP/TIME** en draai vervolgens aan de **DRAAIKNOP** om de gewenste bereidingstijd in te stellen.
5. Druk één keer op **START/CANCEL** om de bereiding te starten; de tijd telt af.
6. Wanneer de bereiding is voltooid, maakt de airfryer een geluid en keert het apparaat terug naar de stand-bymodus.
7. Trek de binnenpan aan de handgreep voorzichtig uit de airfryer. Haal de etenswaren onmiddellijk uit het air fry-mandje, anders zal de hitte die in de airfryer achterblijft uw etenswaren blijven bereiden en op den duur uitdrogen.

**Opmerking:** als u de bereidingstijd voor de automatisch bereiden etenswaren wijzigt, kunt u deze tijd maximaal met 30% verlengen. Dit is om te voorkomen dat uw etenswaren aanbranden.

Voedsel	Gewicht	Initiële etenswarentemperatuur	Bereidings-tijd	Maximale extra tijd	Omdraaien	Bereidings-tijd voor bevroren etenswaren	Temperatuur	Opmerkingen
Frietjes	200 g tot 500 g	Kamertemperatuur	15 tot 20	23	Ja	26	180	Do not overload the pot.
Rundvlees	150 g tot 500 g		8 tot 12	16	Ja	-	200	U kunt een biefstuk van maximaal 270 g bereiden
Groenten	100 g tot 400 g		10	13	Ja	14	190	Cut up vegetables into pieces 2 x 3cm.
Kip	800 g tot 1000 g		30	39	Ja	-	190	Hele kip of grote stukken
Bacon	4 tot 6 strips		9	12	-	-	180	Verdeel de baconstrips gelijkmatig in het air fry-mandje
Vis	100 g tot 500 g		12	16	Ja	-	200	Place fish pieces directly onto the base of the frying basket.
Aardappelen	250 g elk		40	52	Ja	-	200	Leg maximaal 3 aardappelen van elk 250 g in het air fry-mandje
Pizza	100 g tot 400 g		13	17	-	18	160	Place whole or pizza pieces directly in the frying basket.

## Bevroren etenswaren bereiden

Volg de instructies voor automatisch koken om bevroren etenswaren te bereiden, maar druk eerst op **FROZEN**.



- Verdeel de te bereiden etenswaren gelijkmatig in het air fry-mandje.
- Plaats het air fry-mandje in de binnenpan en schuif de binnenpan vervolgens in de airfryer.
- Steek de stekker van de airfryer in het stopcontact.
- Druk twee keer op **PRE-HEAT/FROZEN**.
- Selecteer de gewenste functie door op één van de Auto Cook-knoppen op het bedieningspaneel te drukken. De standaardtemperatuur en -tijd knipperen op het led-display.
  - Druk indien nodig één keer op **TEMP/TIME** en draai vervolgens aan de **DRAAIKNOP** om de gewenste bereidingstemperatuur in te stellen.
  - Druk indien nodig één keer op **TEMP/TIME** en draai vervolgens aan de **DRAAIKNOP** om de gewenste bereidingstijd in te stellen.
- Druk één keer op **START/CANCEL** om de bereiding te starten; de tijd telt af.
- Wanneer de bereiding is voltooid, maakt het apparaat een geluid en keert terug naar de stand-bymodus.
- Druk op de mandontgrendelknop en trek de binnenpan aan de handgreep voorzichtig uit de airfryer. Haal voorzichtig de etenswaren uit het air fryer-mandje.

Het bereiden van bevroren etenswaren is alleen mogelijk voor **FRIETJES**, **GROENTEN** en **PIZZA**.

Raadpleeg voor het bereiden van andere diepvriesproducten het advies voor handmatige bereiding.

## Voorverwarmen

Om ervoor te zorgen dat de airfryer de juiste temperatuur heeft voor het bereiden van uw etenswaren, beschikt de airfryer over een voorverwarmingsfunctie. Deze kunt u gebruiken voorafgaand aan de automatische bereiding en de handmatige bereiding. Druk één keer op de voorverwarmingsknop voordat u een andere functie selecteert.



- Plaats het air fry-mandje in de binnenpan en schuif de binnenpan vervolgens in de airfryer.
- Steek de stekker van de airfryer in het stopcontact.
- Druk één keer op **PRE-HEAT/FROZEN**.
- Selecteer de gewenste etenswaren door op de betreffende Auto Cook-knop op het bedieningspaneel te drukken. De standaardtemperatuur en -tijd knippen op het led-display.
  - Druk indien nodig één keer op **TEMP/TIME** en draai vervolgens aan de **DRAAIKNOP** om de gewenste bereidingstemperatuur in te stellen.
  - Druk indien nodig één keer op **TEMP/TIME** en draai vervolgens aan de **DRAAIKNOP** om de gewenste bereidingstijd in te stellen.
- Druk op de knop **START/CANCEL**.
- Zodra het apparaat de juiste voorverwarmingstemperatuur heeft bereikt, maakt het een geluid.
- Haal de binnenpan eruit en verdeel de te bereiden etenswaren gelijkmatig in het air fry-mandje.
- Plaats de binnenpan/het air fry-mandje terug in de airfryer.
- De Air Fryer start automatisch en de tijd telt af.
10. Wanneer de bereiding is voltooid, maakt het apparaat een geluid en keert terug naar de stand-bymodus.
11. Trek de binnenpan eruit en denk eraan om voorzichtig te zijn en het voedsel onmiddellijk uit het luchtfruitmandje te halen, anders zal de hitte die in de luchtfruitmandje achterblijft je voedsel blijven koken en uitdrogen.

## DRAAIKNOP

De draaiknop van uw airfryer heeft verschillende functies. Sommige functies kunt u ook met de knoppen op het bedieningspaneel uitvoeren.

Wanneer u de stekker van de airfryer in het stopcontact hebt gestoken, gaat het apparaat naar de functie-instellingsmodus. Vervolgens worden de temperatuur en de tijd voor de eerste automatische programmamodus weergegeven.

Om het gewenste automatische menu te selecteren, draait u aan de knop. Druk dan ter bevestiging op het midden van de knop zodra de gewenste menunaam knippert. Als de op het display weergegeven temperatuur en tijd geschikt zijn, drukt u op de knop **START/CANCEL** op het bovenste bedieningspaneel om de bereiding te starten. Indien nodig kunt u de bereidingstemperatuur en -tijd van het geselecteerde menu aanpassen, voordat u op de knop **START/CANCEL** drukt om de bereiding te starten.

1. Druk op de knop. De temperatuurweergave begint te knipperen.
2. Draai aan de knop om de gewenste bereidingstemperatuur in te stellen.
3. Druk op de knop om de temperatuurinstelling te bevestigen. De tijdcijfers gaan nu knipperen.
4. Draai de knop om de gewenste bereidingstijd in te stellen.
5. Druk op het midden van de knop om de bereiding te beginnen.

Druk ook op het midden van de knop om de bereiding te annuleren.

## ONDERHOUD TIJDENS GEBRUIK

Dit apparaat vereist weinig onderhoud wanneer het in gebruik is. Reinig uw airfryer na elk gebruik om de levensduur te verlengen.

Deze airfryer bevat geen onderdelen die de gebruiker zelf kan repareren. Probeer daarom niet om het apparaat zelf te repareren. Neem in het onwaarschijnlijke geval van een defect contact op met het SHARP-callcenter via de gegevens aan het begin van deze gebruikershandleiding.

## REINIGINGSINSTRUCTIES

**LET OP:** DOMPEL DE AIRFRYER NIET ONDER IN WATER OF ANDERE VLOEISTOFFEN om elektrische schokken te voorkomen.

U dient de airfryer regelmatig te reinigen voor de beste prestaties en een lange levensduur. Regelmatig reinigen vermindert ook het risico op brand. Volg de onderstaande instructies om de airfryer te reinigen:

1. Trek de stekker uit het stopcontact en laat de airfryer afkoelen.
2. Reinig het air fry-mandje en de binnenpan schoon een vochtige doek en een beetje zeep. Gebruik alleen zacht zeepwater. Als er vlekken op het mandje of de binnenpan zitten die moeilijk te verwijderen zijn, laat het mandje of de binnenpan dan ongeveer 10 minuten weken in warm water.
3. Reinig de verwarmingselementen met een droge, zachte doek.
4. Veeg de buitenkant van de airfryer af met een zachte, vochtige doek en veeg de airfryer daarna droog.

**LET OP:** GEBRUIK GEEN SCHUURMIDDELEN OF SCHUURMATERIAAL op het oppervlak van het air fry-mandje en de binnenpan. Gebruik alleen zacht zeepwater. Schuurmiddelen, schuurborstels en chemische reinigingsmiddelen beschadigen de coating van dit apparaat.

Afgezien van de aanbevolen reiniging is verder gebruikersonderhoud niet nodig.

Een erkende servicemonteur dient elk ander onderhoud uit te voeren.

## OPBERGEN

Trek de stekker uit het stopcontact, laat het apparaat afkoelen en reinig dit alvorens u het opbergt. Bewaar de airfryer in de doos op een schone en droge plaats. Berg het apparaat nooit op als het nog heet is of als de stekker nog in het stopcontact zit. Wikkel het snoer nooit strak om de airfryer. Oefen geen druk uit op het snoer waar dit het apparaat ingaat, omdat het snoer dan kan rafelen en breken.

Als u de airfryer voor langere tijd opbergt, zorg er dan voor dat de airfryer schoon en vrij van etensresten is. Bewaar de airfryer op een droge plaats zoals op een tafel of aanrecht of een kastplank.

## PROBLEEMOPLOSSING

Als u problemen ondervindt met uw airfryer, volg dan de onderstaande aanwijzingen.

De airfryer werkt niet	Het apparaat is niet aangesloten of ingeschakeld.	Zorg ervoor dat de stekker in het stopcontact zit en dat het apparaat is ingeschakeld.
	U hebt de tijd of temperatuur niet ingesteld.	Stel de tijd en de temperatuur in en druk dan op <b>START/CANCEL</b> .
	De binnenpot is niet goed vergrendeld in het apparaat	Duw de binnenpan in de airfryer totdat de binnenpan "vastklikt".
De etenswaren die ik met de airfryer heb bereid, zijn niet gaar.	Er zitten te veel etenswaren in het air fry-mandje.	Doe kleinere batches in het air fry-mandje. Kleinere batches worden gelijkmatiger bereid.
	De ingestelde temperatuur is te laag.	Pas de temperatuur aan naar de vereiste instelling.
	De bereidingstijd is te kort.	Stel de tijd in op de vereiste bereidingstijd.
Gebakken snacks zijn niet knapperig als deze uit de airfryer komen.	U hebt een snack bereid die in een traditionele frituurpan moet worden bereid.	Kies voor in de oven bereide snacks of bestrijk de snacks lichtjes met wat olie voor een knapperiger eindresultaat.
	Er zitten te veel etenswaren in het air fry-mandje.	Maak het air fry-mandje niet te vol.
Het is moeilijk of niet mogelijk om de binnenpan en het air fry-mandje goed in de airfryer te schuiven.	U hebt het air fry-mandje niet goed in de binnenpan geplaatst	Duw het air fry-mandje in de binnenpan tot u een lichte klik hoort.
	U bereidt vette etenswaren.	Als u vette etenswaren in de airfryer bakt, dan lekt er een grote hoeveelheid olie in de binnenpan. Deze olie kan witte rook veroorzaken en de pan kan meer opwarmen dan normaal. Dit heeft geen invloed op het apparaat of het eindresultaat.
Er komt witte rook uit het apparaat.	De binnenpan bevat nog vetresten van vorig gebruik.	Witte rook wordt veroorzaakt doordat er vet wordt opgewarmd in de binnenpan. Maak het air fry-mandje en de binnenpan na elk gebruik goed schoon.
	U hebt niet de juiste aardappelsort gebruikt.	Gebruik verse aardappelen en zorg ervoor dat deze stevig blijven tijdens het bakken.
Verse frietjes worden ongelijk gebakken in de airfryer.	U hebt de frietjes niet goed afgespoeld voordat u deze bakte.	Spoel de frietjes goed af om het zetmeel van de buitenkant te verwijderen.
Verse frietjes zijn niet knapperig als deze uit de airfryer komen.	De knapperigheid van de frietjes hangt af van de hoeveelheid/het type olie en het aanwezige water in de frietjes.	Droog de frietjes goed alvorens u de olie toevoegt.
		Snijd de aardappelen in dunnere staafjes voor een knapperiger eindresultaat.
		Voeg iets meer olie toe voor een knapperiger eindresultaat.

Mocht u nog steeds problemen ondervinden, neem dan contact op met het SHARP-callcenter via de gegevens aan het begin van deze gebruikershandleiding.



**Obs:**

Produktet er markert med dette symbolet.

Det betyr at brukte elektriske og elektroniske produkter ikke skal blandes med generelt husholdningsavfall. Det er atskilte innsamlings-systemer for disse produktene.



[www.sharpconsumer.com/  
contact/](http://www.sharpconsumer.com/contact/)



[www.sharpconsumer.com/  
support/](http://www.sharpconsumer.com/support/)



[www.sharpconsumer.com/  
documents-of-conformity/](http://www.sharpconsumer.com/documents-of-conformity/)

## A. Informasjon om avhending for brukere (private husholdninger)

### 1. I EU

Obs: Hvis du vil kvitte deg med dette utstyret, må du ikke bruke den vanlige søppelbøtten!

Brukt elektrisk og elektronisk utstyr må behandles atskilt og i henhold til lovgivning som krever riktig behandling, gjenvinning og resirkulering av brukt elektrisk og elektronisk utstyr.

Etter implementering av medlemsland, kan private husholdninger i EU-landene returnere brukt elektrisk eller elektronisk utstyr til utvalgte innsamlingssteder gratis\*.

I noen land\* kan også den lokale forhandleren ta tilbake det gamle produktet gratis hvis du kjøper et lignende nytt produkt.

\*) Kontakt lokale myndigheter for nærmere informasjon.

Hvis det brukte elektroniske utstyret har batterier eller akkumulatorer, må du avhende det separat på forhånd i henhold til lokale krav. Ved å avhende dette produktet på riktig måte, vil du hjelpe med å sikre at avfallet får riktig behandling, gjenvinning og resirkulering, dette kan dermed forhindre potensiell negativ påvirkning på miljøet og helse, noe som ellers kan oppstå fra uriktig avfallshåndtering.

### 2. I andre land utenfor EU

Hvis du ønsker å kaste dette produktet, kontakt lokale myndigheter og spør om riktig deponeringsmetode.

For Sveits: brukt elektrisk eller elektronisk utstyr kan returneres gratis til forhandleren selv om du ikke kjøper et nytt produkt.

Flere innsamlingssteder listes på hjemmesiden til [www.swico.ch](http://www.swico.ch) eller [www.sens.ch](http://www.sens.ch).

## B. Informasjon om avhending for forretningsbrukere

### 1. I EU

Hvis produktet brukes til forretningsformål og du vil kaste det:

Kontakt SHARP-forhandleren som vil informere deg om tilbakegivning av produktet. Du kan bli belastet for kostnader som oppstår fra tilbakegivning og resirkulering. Små produkter (og små mengder) kan tas av lokale innsamlingssteder.

For Spania: Kontakt det etablerte innsamlings-systemet eller lokale myndigheter for tilbakegivning av brukte produkter.

### 2. I andre land utenfor EU

Hvis du ønsker å kaste dette produktet, kan du kontakte lokale myndigheter og be om riktig avhendingsmetode.

# INNHOLD

SIKKERHETSINSTRUKSJONER .....	3
SPESIFIKASJONER .....	6
AIRFRYER OG TILBEHØR .....	7
KONTROLLPANEL .....	8
FØR DU TAR I BRUK AIRFRYEREN .....	8
BRUKSANVISNING .....	9
Automatisk tilberedning .....	9
Frossen mat .....	10
Forvarme .....	11
DREIESKIVE .....	12
VEDLIKEHOLD MENS DEN ER I BRUK .....	12
RENGJØRINGSANVISNINGER .....	12
OPPBEVARING .....	12
FEILSØKING .....	13

---


## SIKKERHETSINSTRUKSJONER

### **Følg alltid grunnleggende sikkerhetsmessige forholdsregler ved bruk av elektriske apparater, inkludert følgende:**

- Hold øye med barn og ikke la dem leke med apparatet.
- Dette apparatet må ikke brukes av personer (inklusive barn) med reduserte fysiske, sensoriske og mentale evner eller manglende erfaring og kunnskap, dersom de ikke overvåkes eller på forhånd er gitt tilfredsstillende instruksjon om bruk av apparatet av en person som er ansvarlig for deres sikkerhet.
- Rengjør airfryer-kurven og beholderen med en fuktig klut med litt såpe. Pass på å bare bruke mildt såpevann.
- Må ikke bruke skurebørster. Deler kan falle av børsten, komme i kontakt med elektriske deler og føre til elektriske støt. Skader på overflaten kan også forekomme.
- Tørk av enheten og alle delene med en myk klut før den settes til bort til oppbevaring eller skal brukes.
- Legg kurven eller beholderen i vann i ti minutter før du rengjør eventuelle vanskelige flekker.
- Stekekurven og beholderen kan vaskes i oppvaskmaskin.
- Ikke legg oppi for mye under tilberedning. For mye mat kan føre til personskader, skader på eiendeler eller ha innvirkning på sikker bruk av apparatet.
- Må ikke bruke olje eller annen væske i beholderen.
- Apparatet må ikke brukes til frityrsteking.
- Pass på at maten tilberedes og stekes riktig for å unngå helseskader.
- Unngå at maten kommer i kontakt med varmeelementene.
- Pass på at apparatet alltid er satt riktig sammen før bruk.
- Må ikke plassere noen av følgende materialer i airfryeren: papp, plast, papir eller lignende.
- Må ikke lagre materialer, annet enn medhørende tilbehør i



airfryeren når den ikke er i bruk.

- Apparatet må ikke brukes til annet enn tiltenkt bruk.
- Må ikke brukes utendørs.
- Kontakt Sharps hjelpelinje hvis du trenger råd om dette produktet
- Bare bruk apparatets tiltenkte håndtak, sammen med varmebeskyttelse som hansker eller grytekluter.
- Les alle anvisningene for å finne ut hvordan airfryeren fungerer og betjenes. Ikke ta på varme overflater, og bruk alltid håndtak eller kontroller (avhengig av modell) dersom det er mulig.
- Bruken av tilbehør som ikke er anbefalt kan være farlig og forårsake skader.
- Dette apparater er bare ment til husholdningsbruk.
- Sett beholderen på en stødig overflate før du løfter airfryer-kurven for å unngå at den faller i bakken.
- Pass på at håndtaket vender mot deg når den er i bruk.
- ADVARSEL: Merket  betyr at apparatets overflater er varme før og etter bruk. Ikke ta på varme overflater.
- Innluftings- eller utluftingsventilen må ikke dekkes til når apparatet er i bruk. Dersom du gjør det kan det hindre at maten blir jevnt stekt, men også forårsake skade på enheten eller føre til at den overopphetes.
- Tilbehøret må ikke røres under eller rett etter steking.
- Vær veldig forsiktig når apparatet inneholder varm mat. Feil bruk kan føre til personskader.
- La enheten kjøle seg ned en stund etter bruk.
- Airfryeren må få kjøle seg ned før den rengjøres.
- ADVARSEL: Vær varsom når du håndterer denne enheten da overflatene kan utvikle høy temperatur, bli veldig varme og forårsake brannskader på mennesker.
- Bruk beskyttelseshansker med isolasjon når du tar på varme overflater, den varme airfryer-kurven, beholderen eller mat.
- Pass på at det alltid er nok rom over og rundt alle sidene slik

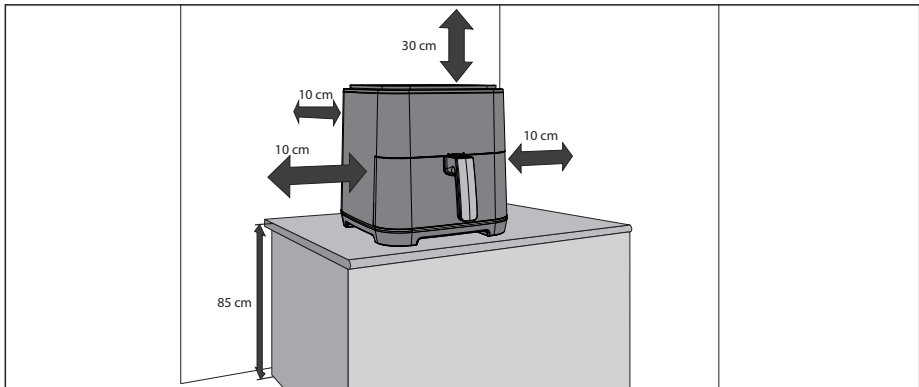
---

at luften kan sirkulere når du bruker apparatet. Pass på at beholderen alltid er lukket ordentlig før du tar den i bruk.

- Ikke la strømledningen henge over kanten på kjøkkenbenken eller være i kontakt med varme overflater.
- Ikke betjen apparatet hvis strømledningen, støpselet eller apparatet er skadet.
- Ikke erstatt eller gjør endringer på ledningen eller støpselet.
- Ikke bruk skjøteledning.
- Pass på at stikkontakt/-bryter er tilgjengelig når airfryeren er i bruk.
- Airfryeren må ikke betjenes ved hjelp av eksterne tidtakere eller separate fjernkontroller.
- Koble fra strømforsyningen når enheten ikke er i bruk eller før rengjøring.
- Hold alltid i kontakten når du tar den ut fra strømforsyningen, aldri dra den ut.
- Når du er ferdig med å bruke airfryeren, trykker du på STOPP/AVBRYT-knappen for å gå tilbake til standbymodus, trekk deretter ut ledningen fra strømforsyningen.
- For å beskytte mot elektrisk støt må ikke airfryeren senkes i vann eller andre væsker.
- Ingen av delene på airfryeren må dekkes til mens den er i bruk, det kan føre til overoppheting.
- Airfryeren må ikke plasseres på varme overflater, i nærheten av gassbrennere / elektriske brennere eller i varme ovner.

- Ha minst 100 mm avstand på alle sidene for tilstrekkelige luft sirkulasjon når du betjener airfryeren.

OPPBEVAR DISSE INSTRUKSJONENE PÅ EN TRYGG PLESS TIL FREMTIDIG BRUK



## SPESIFIKASJONER

Modellnavn	GS404A
Airfryerens strøm (W)	1300
Airfryerens temperaturnivå (celsius)	80 °C til 200 °C
Åtte automatiske programmer	Pommes frites, biff, grønnsaker, liten kylling, bacon, fisk, potet og pizza
To funksjoner	Forvarme, Frossen mat
Kapasitet (liter)	4,0
Kontrollpanel	Digitalt med dreiebryter
Stekekurvens belegg	Non-stick
Stekekurvens størrelse (diameter x høyde i mm)	Ø190 x 50
Beholderens belegg	Non-stick
Beholderens størrelse (diameter x høyde i mm)	200 x 120
Strømledningens lengde (mm)	900
Støynivå (dB)	55–62
Strømforbruk (W)	1300
Strømkrav	220-240 V, 50 Hz
Strømforbruk i standby (W)	<0.5
Størrelse (B x H x D i mm)	261 x 338 x 327
Vekt (kg)	4,5

Dette produktet overholder gjeldende forskrifter og standarder for Storbritannia og EU.

SOM EN DEL AV VÅRT ARBEID MED KONTINUERLIGE FORBEDRINGER FORBEHOLDER VI OSS RETTEN TIL Å ENDRE DESIGN OG SPESIFIKASJONER UTEN FORUTGÅENDE VARSEL.

# AIRFRYER OG TILBEHØR

**Gjør deg kjent med følgende funksjoner og tilbehør før første gangs bruk:**

**Beholder:** Plasser stekekurven i beholderen, og sett beholderen i airfryeren.

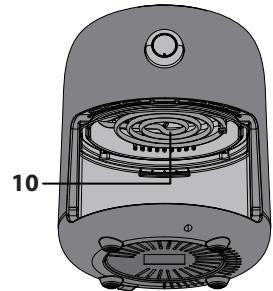
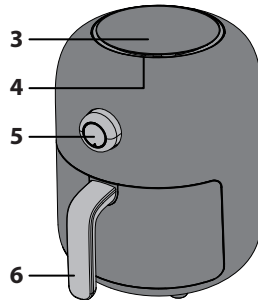
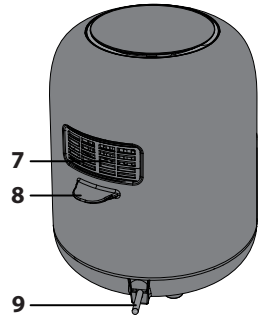
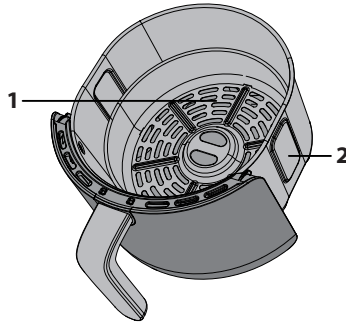
**Stekekurv:** Legg maten i stekekurven og sett stekekurven oppi beholderen for tilberedning.

**MERK:** Sett beholderen på en stødig overflate før du løfter stekekurven for å unngå at den faller i bakken.

**Utluftingsventil:** Varm damp kommer ut fra utlftingsventilen (det er normalt), hold hender og ansikt unna utlftingsventilen mens du tilbereder mat for å unngå forbrenning.

**Håndtak:** Dette brukes for å flytte beholderen og stekekurven inn og ut av airfryeren.

1. Airfryer-kurv
2. Beholder
3. Kontrollpanel
4. Innluftingsventil
5. Dreibart hjul
6. Stekekurv-håndtak
7. Utluftingsventil
8. Håndtak
9. Strømledning
10. Varmeelement



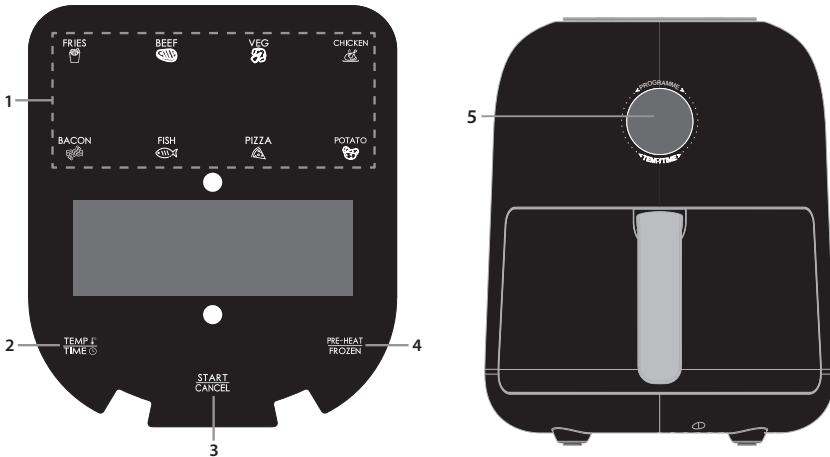
## LUFTFLYTRETNING

Under steking flyttes den varme luften fra elementet rundt som vist på bildet nedenfor. Dette er for å sikre at maten din stekes jevnt på angitt temperatur og tid. Du må ikke bruke andre materialer som folie som kan stoppe luftflyten eller overfylle stekekurven.



## KONTROLLPANEL

- 1. Autotilberednings-knapper** – Autotilberednings-programmer, velg blant åtte alternativer.
- 2. Temperatur/tilberedningstid**– Bruk denne knappen for å styre temperatur og tid manuelt.
- 3. Start/avbryt**– Begynn å bruke airfryeren eller sett den på avbryt/pause.
- 4. Forvarme/frossen** – For å varme opp airfryeren til riktig temperatur eller varme opp frossen mat.
- 5. Kontrollpanel** – Brukes for å justere tid og temperatur.



## FØR DU TAR I BRUK AIRFRYEREN

Før du tar i bruk airfryeren første gang anbefaler vi at du har pakket den helt ut og fjernet alt av emballasje. Beholderen og stekekurven må være rengjort med varmt såpevann eller i oppvaskmaskin. Tørk alt tilbehøret nøye og sett sammen airfryeren igjen. Rengjør de ytre og indre delene med en fuktig klut og tørk dem før bruk. Koble til strømmettet og still inn enheten til å koke pommes frites (ikke legg mat i enheten). Dette vil slå på enheten ved 180°C i 23 minutter slik at eventuelle rester som kan ha festet seg til varmeelementet under produksjonen, forsvinner.

Vi anbefaler at du leser hele bruksanvisningene før du tar apparatet i bruk.

# BRUKSANVISNING

## Airfryeren kan betjenes på flere måter:

**Automatisk tilberedning** – velg ett av åtte forhåndsvalgte tilberedningsalternativer.

**Frossen mat** – frossen mat (gjelder kun grønnsaker, pizza og pommes frites).

**Forvarme** – sørg for at airfryeren har riktig temperatur før maten tilberedes.

## Merknader for tilberedning

- Ikke fyll mer enn 4/5 av airfryer-kurven med mat.
- Tid og temperatur for tilberedning kan justeres under tilberedningen.
- For å sette matlagingen på pause, trekk den indre kjelen ut av enheten; når den trykkes tilbake vil enheten starte automatisk.
- Trykk på «**START/AVBRYT**»-knappen to ganger for å avbryte tilberedningen.
- Noe mat må røres/ristes under tilberedningen: Trekk den indre kjelen ut av enheten, rør/rist etter behov og sett den innerste kjelen tilbake i Air Fryer; Air Fryer starter automatisk på nytt.
- Pass på at maten er ordentlig stekt. Hvis maten ikke er godt nok stekt, setter du den tilbake i airfryeren og steker den litt lenger.
- Sett beholderen på en stødig, varmebestandig overflate før du løfter airfryer-kurven for å unngå at den faller i bakken.
- Kun tilbered mat i airfryeren.
- Må ikke brukes til frityrsteking.

## Automatisk tilberedning

For enkelthetsskyld har enheten åtte automatiske tilberedningsprogrammer. Disse er enkelt tilgjengelig via tildelte knapper på kontrollpanelet.

I eksempelet nedenfor tilberedes biff. Det er ikke nødvendig å tilpasse temperaturen og tiden med mindre du vil at maten skal være mer stekt eller mindre stekt.



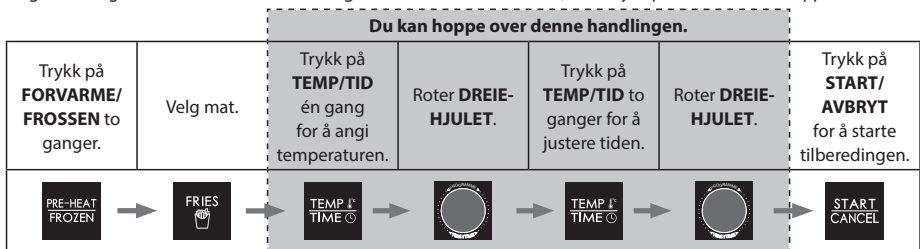
1. Fordel maten jevnt utover i stekekurven.
2. Sett stekekurven oppi beholderen, og sett beholderen inn i airfryeren.
3. Koble airfryeren i strømforsyningen.
4. Velg valgt mat ved å trykke på autotilberedning-knappen på kontrollpanelet. Standard temperatur og tid lyser så på LED-displayet.
  - a. Etter behov, trykk på knappen «**TEMP/TID**» én gang, roter deretter på **DREIEHJULET** for å stille inn ønsket tilberedningstemperatur.
  - b. Etter behov, trykk på knappen «**TEMP/TID**» to ganger, roter deretter på **DREIEHJULET** for å stille inn ønsket tilberedningstid.
5. Trykk på knappen «**START/AVBRYT**» én gang for å starte tilberedningen. Tiden telles ned.
6. Når tilberedningen er ferdig avgir airfryeren en lyd, og enheten går tilbake til standby-modus.
7. Trekk ut beholderen forsiktig. Ta maten ut av skuffen med en gang, ellers vil den gjenværende varmen i airfryeren fortsatt steke og tørke den ut.

**Merknad:** Hvis du endrer tilberedningstiden for autotilberedning av mat, kan den kun økes med maks. 30 %. Dette er for å unngå at maten blir brent.

Mat	Vekt	Temperatur-regulering i starten	Tilberedningstid	Maks. ekstratid	Snu	Tid for frosen mat	Temperatur	Kommentarer
Pommes frites	200 g til 500 g	Romtemperatur	15 til 20	23	Ja	26	180	Do not overload the pot.
Okse	150 g til 500 g		8 til 12	16	Ja	–	200	Opptil 270 gram med biff kan tilberedes
Grønnsak	100 g til 400 g		10	13	Ja	14	190	Cut up vegetables into pieces 2 x 3cm.
Kylling	800 g til 1000 g		30	39	Ja	–	190	Hel kylling eller store biter
Bacon	fire til seks strimler med bacon		9	12	–	–	180	Legg strimlene med bacon jevnt utover i stekekurven
Fisk	100 g til 500 g		12	16	Ja	–	200	Place fish pieces directly onto the base of the frying basket.
Potet	250 g hver		40	52	Ja	–	200	Plasser opptil tre poteter på 250 gram hver i stekekurven
Pizza	100 g til 400 g		13	17	–	18	160	Place whole or pizza pieces directly in the frying basket.

## Frosen mat

Følg anvisningene for automatisk tilberedning for å tilberede frosen mat, men trykk på «**FROSSEN**»-knappen først.



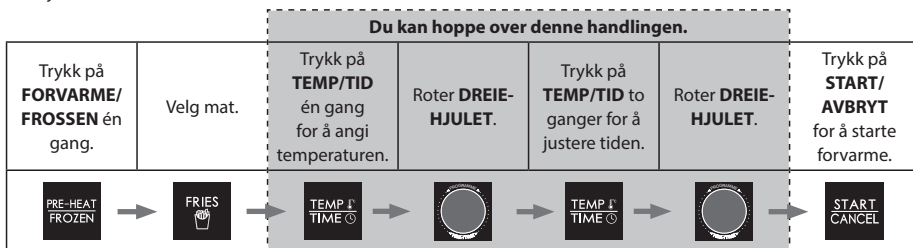
1. Fordel maten jevnt utover i stekekurven.
2. Sett stekekurven oppi beholderen, og sett beholderen inn i airfryeren.
3. Koble airfryeren i strømforsyningen.
4. Trykk på knappen «**FORVARME/FROSSEN**» to ganger.
5. Velg ønsket funksjon ved å trykke på funksjonsknappen på kontrollpanelet. Standard temperatur og tid lyser så på LED-displayet.
  - a. Etter behov, trykk på knappen «**TEMP/TID**» én gang, roter deretter på **DREIEHJULET** for å stille inn ønsket tilberedningstemperatur.
  - b. Etter behov, trykk på knappen «**TEMP/TID**» to ganger, roter deretter på **DREIEHJULET** for å stille inn ønsket tilberedningstid.
6. Trykk på knappen «**START/AVBRYT**» én gang for å starte tilberedningen. Tiden telles ned.
7. Når tilberedningen er ferdig avgir enheten en lyd, og går tilbake til standby-modus.
8. Trykk på åpne-knappen og dra forsiktig ut håndtaket til beholderen og ta ut maten.

Frosen mat-funksjonen kan brukes til **POMMES FRITES**, **GRØNNSAKER** og **PIZZA**.

For å tilberede annen frosen mat, se tips om manuell tilberedning.

## Forvarme

For å sikre at airfryeren har riktig temperatur for å tilberede maten din, finnes det en forvarme-funksjon du kan bruke for funksjonene autotilberedning og manuell. Trykk på forvarme-knappen én gang før du velger enhver annen funksjon.



1. Sett stekekurven oppi beholderen, og sett beholderen inn i airfryeren.
2. Koble airfryeren i strømforsyningen.
3. Trykk på knappen **FORVARME/FROSSEN** én gang.
4. Velg ønsket mat ved å trykke på relevant autotilberedningsknapp på kontrollpanelet. Standard temperatur og tid lyser på LED-displayet.
  - a. Etter behov, trykk på knappen «**TEMP/TID**» én gang, roter deretter på **DREIEHJULET** for å stille inn ønsket tilberedningstemperatur.
  - b. Etter behov, trykk på knappen «**TEMP/TID**» to ganger, roter deretter på **DREIEHJULET** for å stille inn ønsket tilberedningstid.
5. Trykk på knappen «**START/AVBRYT**».
6. Når enheten har nådd riktig forvarmetemperatur avgir den en lyd.
7. Ta ut beholderen og fordel maten jevnt for tilberedning i stekekurven.
8. Sett beholderen/stekekurven tilbake igjen i airfryeren.
9. Air Fryer vil starte automatisk og tiden teller ned.
10. Når tilberedningen er ferdig avgir enheten en lyd, og går tilbake til standby-modus.
11. Trekk ut den indre kjelen og husk å håndtere den med forsiktighet og ta maten ut av luftfrityrkurven umiddelbart, ellers vil varmen som er igjen i frityrkokeren fortsette å koke og tørke ut maten.



## DREIESKIVE

Knotten med dreieskive på airfryeren har flere funksjoner. Noen av disse funksjonene er de samme som for knappene på kontrollpanelet.

Når airfryeren kobles til strømforsyningen, går den inn i funksjonsinnstillingsmodus og viser temperatur og tid for første automatiske programmodus.

Drei knotten og trykk i midten av knotten for å bekrefte når navnet til automenyen du vil ha blinker. Hvis temperaturen og tiden som vises på displayet er passende, trykker du på **START/AVBRYT**-knappen på kontrollpanelet for å starte tilberedningen.

Om nødvendig kan du justere tilberedningstemperaturen og tiden for den valgte menyen før du trykker på **START/AVBRYT**-knappen for å starte tilberedningen.

1. Trykk på knotten, så vil temperaturen som vises begynne å blinke.
2. Drei knotten for å velge ønsket tilberedningstemperatur.
3. Trykk på knotten for å bekrefte temperaturinnstillingen. Tallene for klokkeslett vil nå blinke.
4. Drei knotten for å velge ønsket tilberedningstid.
5. Trykk på midten av knotten for å starte tilberedningsprosessen.

Trykk midt på knotten for å avbryte tilberedningen.

## VEDLIKEHOLD MENS DEN ER I BRUK

Dette apparatet krever lite vedlikehold mens den er i bruk. Rengjør airfryeren etter hver bruk for å forlenge levetiden. Airfryeren består ikke av noen deler brukere kan utføre vedlikehold på selv. Hvis enheten mot formodning skulle svikte, kontakt SHARPs telefonsentral ved hjelp av detaljene du finner i begynnelsen på denne bruksanvisningen.

## RENGJØRINGSANVISNINGER

**ADVARSEL:** Airfryeren må ikke senkes ned i vann eller andre væsker for å unngå elektriske støt.

Airfryeren må rengjøres regelmessig for å kunne yte best mulig og ha lengst mulig levetid. Regelmessig rengjøring reduserer også risikoen for brann. Følg anvisningene nedenfor for rengjøring:

1. Ta støpselet ut av stikkkontakten. La airfryeren få avkjøle seg.
2. Rengjør airfryer-kurven og beholden med en fuktig klut med litt såpe. Pass på at du bare bruker mildt såpevann. Hvis flekkene på skuffen eller innvendig beholder er vanskelige å få rene, legg dem i varmt vann i cirka 10 minutter.
3. Rengjør varmeelementene med en tørr og myk klut.
4. Rengjør utsiden av airfryeren med en myk, fuktig klut, tørk av etterpå.

**ADVARSEL:** Må ikke bruke skureborster eller andre typer skurematerialer som kan føre til riper på overflaten av stekekurven og beholderen. Sørg for at du bruker mildt såpevann. Skuremidler, skrubbeborster og kjemiske rengjøringsmidler kan skade enhetens belegg.

Utover anbefalt rengjøring er det ikke nødvendig med ytterligere vedlikehold.

All annen service bør utføres av autorisert servicepersonell.

## OPPBEVARING

Ta ut ledningen og la enheten avkjøles. Rengjør den før oppbevaring. Oppbevar airfryeren i en boks på et tørt, rent sted. Aldri sett den til oppbevaring mens den fremdeles er varm eller tilkoblet strøm. Aldri snurr ledningen stramt rundt airfryeren. Ikke legg noe oppå ledningen nær der den kobles til enheten, det kan føre til at ledningen svekkes eller ødelegges.

Hvis du oppbevarer airfryeren over lengre perioder, må den være ren og fri for matrester. Oppbevar airfryeren på et tørt sted som et bord, benk eller skaphyll.

# FEILSØKING

Hvis du har problemer med airfryeren, følg anvisningene nedenfor.

Airfryeren fungerer ikke	Apparatet er enten ikke tilkoblet eller slått på.	Pass på at ledningen er koblet til strøm og slå på apparatet.
	Du har enten ikke stilt inn temperatur eller tid.	Still inn tid og temperatur, trykk deretter på « <b>START/AVBRYT</b> ».
	Beholder er ikke satt ordentlig inn i enheten	Dytt beholderen inn i airfryeren til du hører en «klikkelyd».
Ingrediensene som er stekt med airfryeren er ikke ferdige.	Det er for mye mat i stekekurven.	Legg mindre mengder ingredienser i stekekurven. Små mengder stekes jevnere.
	Temperaturen du har stilt inn er for lav.	Tilpass temperaturen til påkrevd temperaturinnstilling.
	Tilberedningstiden er for kort.	Still inn tidtakeren til påkrevd tilberedningstid.
Stekt snacks er ikke sprø når den kommer ut av airfryeren.	Du brukte en type snacks som vanligvis skal tilberedes i en tradisjonell frityrkoker.	Bruk snacks som skal tilberedes i ovnen, eller pensle snacksen med litt olje for at den skal bli sprøere.
Det er vanskelig eller ikke mulig å sette beholderen og stekekurven ordentlig inn i apparatet.	Det er for mye mat i stekekurven.	Ikke legg for mye mat i stekekurven.
	Stekekurven er ikke satt ordentlig inn i beholderen	Dytt stekekurven ned i beholderen til du hører et klikk.
Hvit røyk kommer ut av apparatet.	Du tilbereder ingredienser med mye fett.	Når du steker ingredienser med mye fett i airfryeren, lekker store mengder olje utover brettet. Denne oljen kan bli til hvit røyk og pannen blir kanskje varmere enn vanlig. Dette påvirker ikke apparatet eller resultatet.
	Pannen kan ha fettrester fra tidligere bruk.	Hvit røyk kommer av at fett varmes opp i beholderen. Sørg for å rengjøre stekekurven og beholderen ordentlig etter hver bruk.
Fersk pommes frites stekes ujevnt i airfryeren.	Du brukte ikke riktig type potet.	Bruk ferske poteter og pass på at de holder seg faste under stekingen.
	Du skylte ikke potetstengene ordentlig før du stekte dem.	Skyll potetstengene grundig for å fjerne stivelsen utenpå stengene.
Pommes fritesen er ikke sprø når den kommer ut av airfryeren.	Hvor sprø pommes fritesen er avhenger av type/ mengde olje og mengden vann i pommes fritesen.	Sørg for at du tørker potetstengene ordentlig før du tilsetter olje.
		Kutt potetene i tynnere stenger for at de skal bli sprøere.
		Tilsett litt mer olje for at de skal bli sprøere.

Hvis du fremdeles har problemer, kontakt SHARPs telefonsentral ved hjelp av detaljene du finner i begynnelsen av denne bruksanvisningen.



#### Uwaga:

Państwo produkt jest oznaczony tym symbolem.

Oznacza on, że zużytych urządzeń elektrycznych i elektronicznych nie można łączyć ze zwykłymi odpadami z gospodarstw domowych. Dla tych produktów istnieje oddzielny system zbiórki odpadów.



[www.sharpconsumer.com/contact/](http://www.sharpconsumer.com/contact/)



[www.sharpconsumer.com/support/](http://www.sharpconsumer.com/support/)



[www.sharpconsumer.com/documents-of-conformity/](http://www.sharpconsumer.com/documents-of-conformity/)

## A. Informacje dla użytkowników (prywatnych gospodarstw domowych) dotyczące usuwania odpadów

### 1. W krajach Unii Europejskiej

Uwaga: Jeśli chcą Państwo usunąć to urządzenie, prosimy nie używać zwykłych pojemników na śmieci!

Zużyty sprzęt elektryczny i elektroniczny należy usuwać oddzielnie, zgodnie z wymogami prawa dotyczącymi odpowiedniego przetwarzania, odzysku i recyklingu zużytego sprzętu elektrycznego i elektronicznego.

Po wdrożeniu przepisów unijnych w Państwach Członkowskich prywatne gospodarstwa domowe na terenie krajów UE mogą bezpłatnie\* zwracać zużyty sprzęt elektryczny i elektroniczny do wyznaczonych punktów zbiórki odpadów.

W niektórych krajach\* można bezpłatnie zwrócić stary produkt do lokalnych punktów sprzedaży detalicznej pod warunkiem, że zakupią Państwo podobny nowy produkt.

\*) W celu uzyskania dalszych informacji na ten temat należy skontaktować się z lokalnymi władzami.

Jeśli twój zużyty sprzęt elektryczny lub elektroniczny posiada baterie albo akumulatory, usuń je wcześniej zgodnie z lokalnymi wymogami. Prawidłowo usuwając ten produkt, przyczyniasz się do właściwej utylizacji odpadów, odzyskiwania zasobów i recyklingu. Jednocześnie zapobiegasz potencjalnemu negatywnemu wpływowi na środowisko i zdrowie ludzkie, który miałyby nieprawidłowe usunięcie urządzenia.

### 2. Kraje pozaunijne

W celu uzyskania szczegółowych informacji na temat prawidłowej metody pozbycia się zużytych baterii, prosimy o kontakt z władzami lokalnymi.

W Szwajcarii: Zużyte urządzenia elektryczne lub elektroniczne można bezpłatnie zwracać do sprzedawcy, nawet jeśli nie zostanie zakupiony nowy produkt. Szczegóły na temat punktów zbiórki odpadów są wymienione na stronie: [www.swico.ch](http://www.swico.ch) lub [www.sens.ch](http://www.sens.ch).

## B. Informacje dla użytkowników biznesowych dotyczące usuwania odpadów

### 1. W krajach Unii Europejskiej

W przypadku, gdy produkt używany jest do celów biznesowych i zamierzają go Państwo usunąć:

Należy skontaktować się z autoryzowaną sprzedawcą firmy SHARP, który poinformuje o możliwości zwrotu wyrobu. Być może będą Państwo musieli ponieść koszty zwrotu i recyklingu produktu. Produkty niewielkich rozmiarów (i w małych ilościach) można zwrócić do lokalnych punktów zbiórki odpadów.

W Hiszpanii: W celu usunięcia zużytego produktu prosimy o skontaktowanie się z wyznaczonym punktem systemu zbiórki odpadów lub władzami lokalnymi.

### 2. Kraje pozaunijne

W celu uzyskania szczegółowych informacji na temat prawidłowej metody pozbycia się zużytych baterii, prosimy o kontakt z władzami lokalnymi.

Aby uzyskać informacje o serwisie przejdź do strony

[www.sharpconsumer.com/contact/](http://www.sharpconsumer.com/contact/); aby uzyskać informacje o warunkach gwarancji przejdź do strony

[www.sharpconsumer.com/support/](http://www.sharpconsumer.com/support/) lub skontaktuj się ze sprzedawcą urządzenia.

Deklaracje zgodności są dostępne na stronie: [www.sharpconsumer.com/documents-of-conformity/](http://www.sharpconsumer.com/documents-of-conformity/)

---

# SPIS TREŚCI

ŚRODKI OSTROŻNOŚCI.....	3
DANE TECHNICZNE.....	7
FRYTKOWNICA BEZTŁUSZCZOWA I JEJ WYPOSAŻENIE.....	8
PANEL STEROWANIA.....	9
PRZED UŻYCIEM FRYTKOWNICY BEZTŁUSZCZOWEJ.....	9
OBSŁUGA FRYTKOWNICY BEZTŁUSZCZOWEJ.....	10
Automatyczne gotowanie.....	10
Gotowanie zamrożonych potraw.....	11
Podgrzewanie wstępne.....	12
POKRĘTŁO.....	12
KONSERWACJA PODCZAS UŻYTKOWANIA.....	13
WSKAZÓWKI DOTYCZĄCE CZYSZCZENIA.....	13
PRZECHOWYWANIE.....	13
ROZWIĄZYWANIE PROBLEMÓW.....	14


## ŚRODKI OSTROŻNOŚCI

**Podczas używania urządzeń elektrycznych należy zawsze przestrzegać podstawowych zasad bezpieczeństwa, takich jak poniższe:**

- Dzieci powinny pozostawać pod opieką, aby NIE bawiły się urządzeniem.
- Opisywane urządzenie nie może być obsługiwane przez osoby (włącznie z dziećmi) z obniżonymi zdolnościami fizycznymi, zmysłowymi bądź umysłowymi, a także przez osoby bez doświadczenia i wiedzy na temat obsługi, chyba że odbywa się to pod nadzorem, bądź udzielono im instrukcji bezpiecznej obsługi urządzenia przez osobę odpowiedzialną za ich bezpieczeństwo.
- Kosz do smażenia i misę wewnętrzną frytkownicy należy czyścić przy pomocy wilgotnej ściereczki namoczonej w wodzie z mydłem. Upewnij się, że używasz tylko łagodnego roztworu wody z mydłem.
- NIE WOLNO czyścić urządzenia przy pomocy szorstkich metalowych zmywaków. Metalowe kawałki mogłyby oderwać się od zmywaka i dotknąć elementów elektrycznych, stwarzając zagrożenie porażenia prądem. Mogłoby również dojść do uszkodzenia powierzchni.
- Przed użyciem lub przechowywaniem należy osuszyć urządzenie i wszystkie podzespoły przy pomocy miękkiej ściereczki.
- Jeśli na koszku lub misie wewnętrznej pojawią się trudne do usunięcia zabrudzenia, przed czyszczeniem należy namoczyć je w ciepłej wodzie przez około dziesięć minut.
- Kosz do smażenia i misę wewnętrzną można myć w zmywarce.
- NIE WOLNO przepelniać urządzenia podczas gotowania. Przepelnienie mogłoby spowodować obrażenia ciała, uszkodzenie mienia lub negatywnie wpłynąć na bezpieczne użytkowanie urządzenia.
- NIE WOLNO stosować oleju ani innych płynów w misie wewnętrznej.
- NIE WOLNO używać opisywanego urządzenia do smażenia w głębokim tłuszczu.
- Należy upewnić się, że potrawa jest odpowiednio przygoto-

---

wana i ugotowana, aby uniknąć jakichkolwiek zagrożeń dla zdrowia.

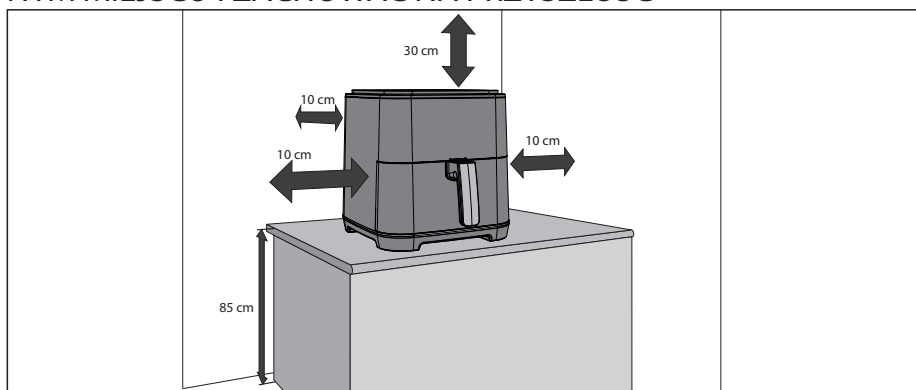
- Należy unikać styczności produktów spożywczych z elementami grzejnymi.
- Przed użyciem należy ZAWSZE upewnić się, że urządzenie jest prawidłowo zmontowane.
- NIE WOLNO umieszczać we frytkownicy następujących materiałów: kartonu, plastiku, papieru itp.
- W nieużywanej frytkownicy NIE WOLNO przechowywać jakichkolwiek materiałów, innych niż wyposażenie dostarczone w zestawie.
- NIE WOLNO używać urządzenia w sposób niezgodny z przeznaczeniem.
- NIE WOLNO używać urządzenia na wolnym powietrzu.
- Jeśli konieczna jest jakakolwiek porada dotycząca opisywanego urządzenia, należy skontaktować się z infolinią wsparcia technicznego firmy Sharp.
- Urządzenie należy trzymać wyłącznie za odpowiednie uchwyty i stosować środki ochrony termicznej, np. rękawice kuchenne lub chwytaki do garnków.
- Należy przeczytać wszystkie podane wskazówki, aby zapoznać się z obsługą opisywanej frytkownicy. NIE WOLNO dotykać gorących powierzchni i w miarę możliwości używać uchwytów lub elementów sterujących (w zależności od modelu).
- Nie wolno stosować wyposażenia nie zalecanego przez producenta, ponieważ mogłoby to spowodować zagrożenie lub obrażenia ciała.
- Opisywane urządzenie przeznaczone jest wyłącznie DO UŻYTKU DOMOWEGO.
- Aby uniknąć upuszczenia miski wewnętrznej na podłogę, przed uniesieniem kosza do smażenia należy umieścić misę na stabilnej powierzchni.
- Podczas używania upewnij się, że uchwyt jest skierowany w twoją stronę.
- OSTRZEŻENIE: Symbol  oznacza, że POWIERZCHNIE URZĄDZENIA SĄ GORĄCE PODCZAS LUB PO UŻYCIU. NIE WOLNO dotykać gorących powierzchni.
- NIE WOLNO zasłaniać otworów wlotu ani wylotu powietrza podczas pracy urządzenia. Mogłoby to uniemożliwić równomierne gotowania potraw i spowodować uszkodzenie lub

przegrzanie urządzenia.

- NIE WOLNO dotykać wyposażenia podczas gotowania lub natychmiast po jego zakończeniu.
- Należy zachować szczególną ostrożność, jeśli w urządzeniu znajdują się gorące potrawy. Nieprawidłowe użycie może doprowadzić do obrażeń ciała.
- Po użyciu należy pozostawić urządzenie wystarczająco długo, aż ostygnie.
- Przed czyszczeniem należy odczekać, aż frytkownica ostygnie.
- **OSTRZEŻENIE:** Frytkownica nagrzewa się podczas użytkowania i niektóre powierzchnie mogą nagrzewać do wysokiej temperatury. Ponieważ ludzie boleśnie odczuwają wysoką temperaturę, z opisywanego urządzenia należy korzystać ostrożnie.
- Dotykając gorących powierzchni lub gorącego kosza do smażenia, gorącej miski wewnętrznej i gorących potraw należy nałożyć rękawice termiczne ochronne.
- Podczas korzystania z opisywanego urządzenia należy zapewnić odpowiednią wolną przestrzeń nad i ze wszystkich boków, aby umożliwić cyrkulację powietrza. Przed użyciem urządzenia należy ZAWSZE upewnić się, że misa wewnętrzna jest prawidłowo zamknięta.
- NIE WOLNO dopuścić do zawieszenia przewodu zasilającego na krawędzi stołu lub blatu kuchennego ani by dotykał gorących powierzchni.
- NIE WOLNO korzystać z urządzenia, jeśli przewód zasilający lub wtyczka są w jakikolwiek sposób uszkodzone, urządzenie nie działa prawidłowo lub zostało uszkodzone w inny sposób.
- NIE WOLNO naprawiać ani modyfikować przewodu zasilającego lub jego wtyczki
- NIE WOLNO stosować przedłużaczy.
- Należy upewnić się, że gniazdko elektryczne/główny wyłącznik sieciowy jest dostępny podczas korzystania z frytkownicy.
- Opisywana frytkownica nie jest przeznaczona do obsługi za pomocą zewnętrznego włącznika czasowego lub oddzielnego systemu zdalnego sterowania.
- Urządzenie należy odłączyć od zasilania sieciowego, jeśli nie jest używane lub przed przystąpieniem do czyszczenia.

- Odłączając wtyczkę przewodu zasilającego od gniazdka elektrycznego należy zawsze trzymać za wtyczkę, nigdy nie ciągnąć za przewód.
- Po zakończeniu korzystania z frytkownicy naciśnij przycisk STOP/CANCEL, aby powrócić do trybu czuwania. Następnie odłącz wtyczkę przewodu zasilającego od gniazdka elektrycznego.
- Aby uniknąć porażenia prądem, NIE WOLNO zanurzać przewodu zasilającego, wtyczki ani urządzenia w wodzie lub innych cieczach.
- NIE WOLNO zasłaniać jakichkolwiek elementów pracującej frytkownicy, ponieważ spowoduje to jej przegrzanie.
- NIE WOLNO umieszczać frytkownicy na jakichkolwiek gorących powierzchniach, w pobliżu gorących palników gazowych/elektrycznych ani w nagrzanym piekarniku.
- Podczas korzystania z frytkownicy należy zachować co najmniej 100 mm wolnej przestrzeni ze wszystkich stron, aby zapewnić odpowiednią cyrkulację powietrza.

**NINIEJSZĄ INSTRUKCJĘ NALEŻY PRZECHOWYWAĆ W BEZPIECZNYM MIEJSCU I ZACHOWAĆ NA PRZYSZŁOŚĆ**





## DANE TECHNICZNE

<b>Typ kuchenki:</b>	<b>GS404A</b>
Moc frytkownicy beztłuszczowej [W]	1300
Poziomy temperatury przygotowania potraw we frytkownicy [stopnie Celsjusza]	Od 80°C to 200°C
8 programów automatycznego gotowania	FRIES (frytki), BEEF (wołowina), VEG (warzywa), SMALL CHICKEN (mały kurczak), BACON (bekon), FISH (ryba), POTATO (ziemniaki), PIZZA
2 funkcje	Podgrzewanie wstępne, gotowanie zamrożonych potraw
Pojemność [litry]	4,0
Panel sterowania	Cyfrowy z obrotowym pokrętkiem sterującym
Powłoka kosza do smażenia	Nie przywierająca non-stick
Wymiary kosza do smażenia (średnica x wysokość w mm)	Ø190 x 50
Powłoka miski wewnętrznej	Nie przywierająca non-stick
Wymiary miski wewnętrznej (średnica x wysokość w mm)	200 x 120
Długość przewodu zasilającego [mm]	900
Poziom szumów [dB]	55–62
Pobór mocy [W]	1300
Zasilanie	220–240 V, 50 Hz
Pobór mocy w trybie czuwania [W]	<0.5
Wymiary (szer. x wys. x gł.) [mm]	261 x 338 x 327
Masa [kg]	4,5

Opisywane urządzenie jest zgodne z odpowiednimi przepisami i normami obowiązującymi w Wielkiej Brytanii i UE.

STAWIAJĄC SOBIE ZA CEL CIĄGŁE DOSKONALENIE SWOICH PRODUKTÓW FIRMA SHARP ZASTRZEGA SOBIE PRAWO DO ZMIANY WYGLĄDU I DANYCH TECHNICZNYCH URZĄDZENIA BEZ UPRZEDZENIA.

# FRYTKOWNICA BEZTŁUSZCZOWA I JEJ WYPOSAŻENIE

**Przed pierwszym użyciem należy zapoznać się z następującymi funkcjami i wyposażeniem frytkownicy:**

**Misa wewnętrzna:** Umieścić kosz do smażenia w misie wewnętrznej, a następnie włożyć misę wewnętrzną do frytkownicy beztłuszczowej.

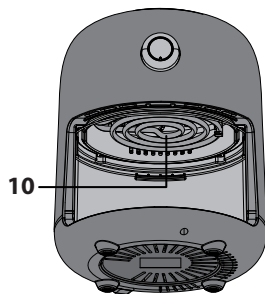
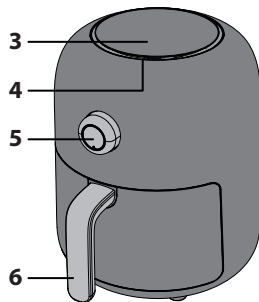
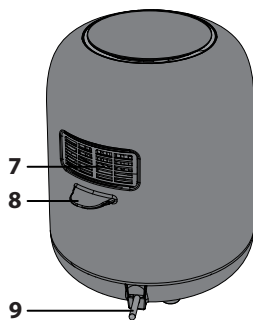
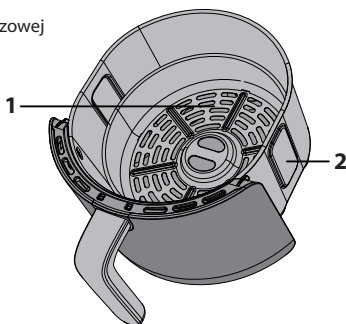
**Kosz do smażenia:** Umieścić potrawę w koszu do smażenia. Następnie włożyć kosz do smażenia do miski wewnętrznej, aby ugotować potrawę.

**UWAGA:** Aby uniknąć upuszczenia miski wewnętrznej na podłogę, przed uniesieniem kosza do smażenia należy umieścić misę na stabilnej powierzchni.

**Otwór wylotu powietrza:** Ponieważ podczas użytkowania frytkownicy z otworu wylotu powietrza będzie wydobywać się gorąca para (to normalne zjawisko), należy trzymać ręce i twarz z dala od otworu wylotu powietrza podczas gotowania, aby uniknąć poparzeń.

**Uchwyt:** Służy do wkładania i wyjmowania z frytkownicy miski wewnętrznej oraz kosza do smażenia.

1. Kosz frytkownicy beztłuszczowej
2. Misa wewnętrzna
3. Panel sterowania
4. Wlot powietrza
5. Pokrętło regulacyjne
6. Uchwyt kosza do smażenia
7. Otwór wylotu powietrza
8. Uchwyt
9. Przewód zasilający
10. Element grzejny



## KIERUNEK PRZEPŁYWU POWIETRZA

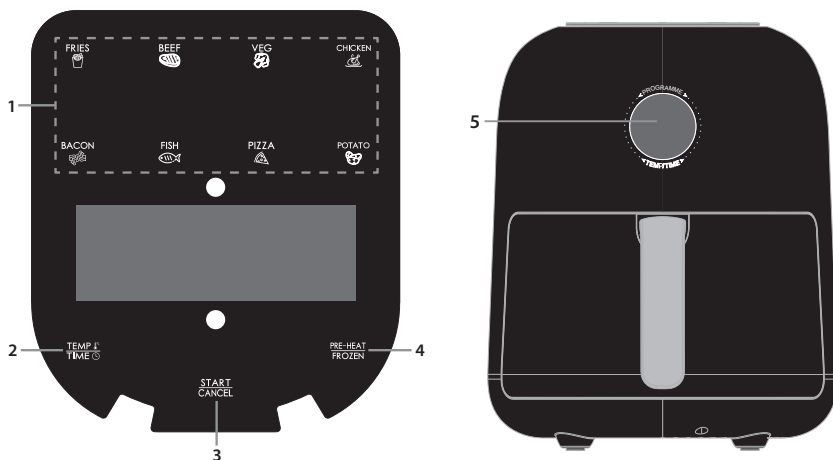
Podczas gotowania gorące powietrze z elementu grzejnego przepływa w sposób pokazany na poniższym rysunku.

Zapewnia to równomierniejsze gotowanie potraw w ustawionej temperaturze przez ustawiony czas. Nie wolno stosować żadnych materiałów (np. folii metalowej), które mogą utrudnić przepływ powietrza lub przepchnąć kosz do smażenia.



## PANEL STEROWANIA

1. **Przyciski programów automatycznego gotowania** – programy automatycznego gotowania, wybór spośród ośmiu opcji.
2. **Przycisk TEMP/TIME** – służy do ręcznego ustawienia temperatury i czasu.
3. **Przycisk START/CANCEL** – służy do uruchomienia frytkownicy lub przerwania/wstrzymania procesu w trakcie.
4. **Przycisk PRE-HEAT/FRIZEZ** – służy do wstępnego podgrzewania frytkownicy do właściwej temperatury gotowania lub przygotowania potraw od stanu zamrożenia.
5. **Pokrętło regulacyjne** – służy do ustawiania czasu i temperatury.



## PRZED UŻYCIEM FRYTKOWNICY BEZTŁUSZCZOWEJ

Przed pierwszym użyciem frytkownicy beztłuszczowej zalecane jest, aby po całkowitym rozpakowaniu zestawu i usunięciu wszelkich opakowań umyć misę wewnętrzną i kosz do smażenia w gorącej wodzie z mydłem lub w zmywarce. Następnie osuszyć wszystkie akcesoria i ponownie zamontować we frytkownicy. Przed użyciem wytrzeć obudowę zewnętrzną i elementy wewnętrzne wilgotną ściereczką i osuszyć.

Podłącz urządzenie do zasilania i ustaw je na gotowanie frytek (nie wkładaj do urządzenia żadnych produktów spożywczych). Spowoduje to włączenie urządzenia w temperaturze 180°C na 23 minuty, co pozwoli na usunięcie wszelkich pozostałości po produkcji, które mogły przykleić się do elementu grzejnego podczas produkcji. Przed użyciem zalecane jest przeczytanie niniejszej instrukcji.

# OBSŁUGA FRYTKOWNICY BEZTŁUSZCZOWEJ

**Frytkownica może pracować w jednym z kilku trybów:**

**Automatyczne gotowanie** – umożliwia wybór jednego z ośmiu programów automatycznego gotowania.

**Gotowanie zamrożonych potraw** – służy do gotowania zamrożonych potraw (tylko programy warzywa, pizza i frytki).

**Podgrzewanie wstępne** – zapewnia odpowiednią temperaturę frytkownicy przed rozpoczęciem gotowania potraw.

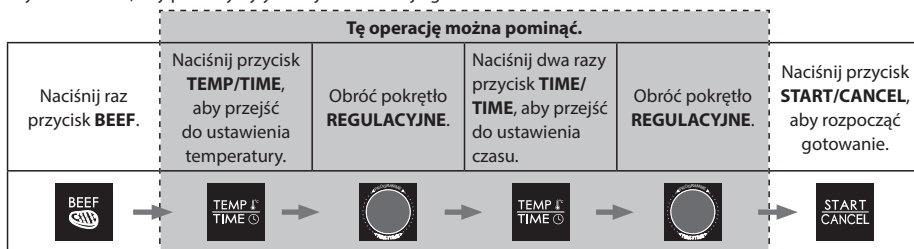
## Wskazówki dotyczące gotowania

- Ilość żywności nie powinna przekraczać 4/5 całkowitej objętości kosza do smażenia.
- Temperatura i czas trwania procesu można ustawić podczas gotowania.
- Aby przerwać gotowanie, należy wyciągnąć wewnętrzny garnek z urządzenia; po włożeniu go z powrotem urządzenie uruchomi się automatycznie.
- Aby anulować gotowanie, naciśnij dwa razy przycisk „**START/CANCEL**”.
- Niektóre potrawy będą wymagały mieszania/wstrząsania podczas gotowania: Wyciągnij wewnętrzny garnek z urządzenia, zamieszaj/wstrząśnij w razie potrzeby, a następnie włóż wewnętrzny garnek z powrotem do frytkownicy powietrznej; frytkownica powietrzna uruchomi się ponownie automatycznie.
- Upewnij się, że potrawa została właściwie ugotowana. Jeśli potrawa jest niedogotowana, należy ją ponownie umieścić we frytkownicy i kontynuować gotowanie.
- Aby uniknąć upuszczenia miski wewnętrznej na podłogę, przed uniesieniem kosza do smażenia należy umieścić miskę na stabilnej i odpornej na ciepło powierzchni.
- Frytkownica służy wyłącznie do gotowania potraw.
- NIE WOLNO smażyć w głębokim tłuszczu.

## Automatyczne gotowanie

W celu ułatwienia gotowania i wygody dostępnych jest osiem programów automatycznego gotowania. Programy są dostępne za pomocą dedykowanych przycisków na panelu sterowania.

W poniższym przykładzie omówiono gotowanie wołowiny. Ustawienie temperatury ani czasu nie jest konieczne, chyba że chcesz, aby potrawy były mniej lub bardziej ugotowane.



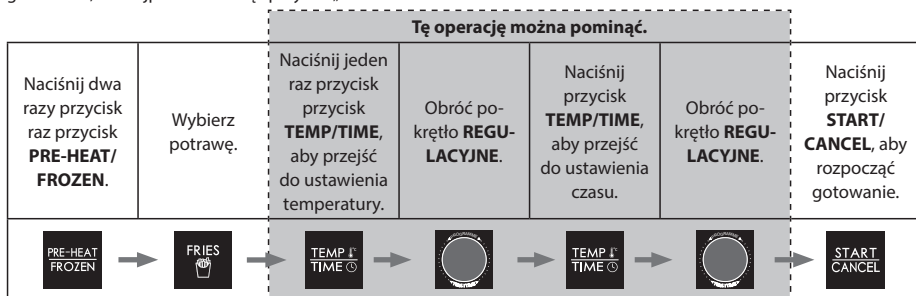
1. Równomiernie rozłóż potrawę, którą chcesz ugotować, w koszu do smażenia.
2. Umieść kosz do smażenia w misie wewnętrznej. Włóż miskę wewnętrzną do frytkownicy.
3. Podłącz frytkownicę do zasilania sieciowego.
4. Wybierz żądany program naciskając odpowiedni przycisk programu automatycznego gotowania na panelu sterowania. Domyślna temperatura i czas trwania procesu zaczną pulsować na wyświetlaczu LED.
  - a. Jeśli to konieczne, naciśnij raz przycisk „**TEMP/TIME**”, a następnie pokrętkę „**REGULACYJNYM**” ustaw żądaną temperaturę gotowania.
  - b. Jeśli to konieczne, naciśnij raz przycisk „**TEMP/TIME**”, a następnie pokrętkę „**REGULACYJNYM**” ustaw żądany czas trwania procesu.
5. Naciśnij przycisk „**START/CANCEL**”, aby rozpocząć gotowanie; rozpocznie się odliczanie pozostałego czasu trwania procesu.
6. Po zakończeniu gotowania frytkownica wyemituje sygnał dźwiękowy i przełączy się do trybu czuwania.
7. Wyjmij miskę wewnętrzną, natychmiast wyjmij potrawę z kosza do smażenia; w przeciwnym razie ciepło pozostające we frytkownicy będzie nadal gotować i wysuszać potrawę.

**Uwaga:** Jeśli chcesz zmienić czas trwania procesu programu automatycznego gotowania, możesz zwiększyć czas maksymalnie o 30%. Zapobiega to potencjalnemu przypaleniu potrawy.

Produkt	Masa	Początkowa temperatura potrawy	Czas gotowania	Maksymalny czas gotowania	Obróć	Czas gotowania zamrożonych potraw	Temperatura	Komentarze
Frytki	Od 200 g do 500 g	Temperatura pokojowa	Od 15 do 20	23	Tak	26	180	<i>Do not overload the pot.</i>
Wołowina	Od 150 g do 500 g		Od 8 do 12	16	Tak	-	200	Można upiec do 270 g befsztyku
Warzywa	Od 100 g do 400 g		10	13	Tak	14	190	<i>Cut up vegetables into pieces 2 x 3cm.</i>
Kurczak	Od 800 g do 1000 g		30	39	Tak	-	190	Cały kurczak lub duże kawałki
Bekon	Od 4 do 6 plasterków		9	12	-	-	180	Równomiernie rozłóż plasterki bekonu w koszu do smażenia
Ryba	Od 100 g do 500 g		12	16	Tak	-	200	<i>Place fish pieces directly onto the base of the frying basket.</i>
Ziemniaki	250 g (każdy)		40	52	Tak	-	200	Włóż maks. trzy ziemniaki (po 250 g każdy) do kosza do smażenia
Pizza	Od 100 g do 400 g		13	17	-	18	160	<i>Place whole or pizza pieces directly in the frying basket.</i>

## Gotowanie zamrożonych potraw

Aby gotować zamrożone potrawy, należy postępować zgodnie ze wskazówkami dotyczącymi automatycznego gotowania, ale najpierw nacisnąć przycisk „**FROZEN**”.

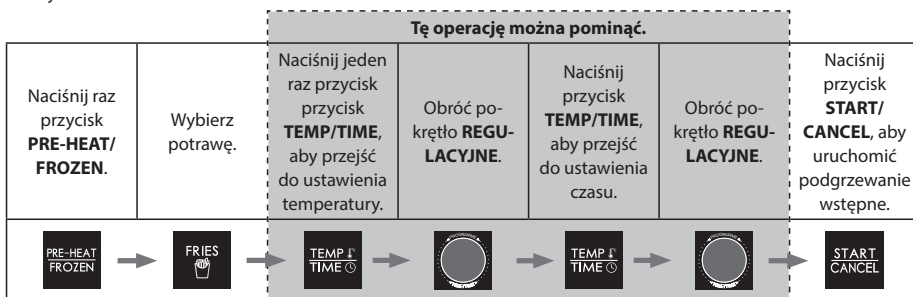


1. Równomiernie rozłóż potrawę, którą chcesz ugotować, w koszu do smażenia.
2. Umieść kosz do smażenia w misie wewnętrznej. Włóż misę wewnętrzną do frytkownicy.
3. Podłącz frytkownicę do zasilania sieciowego.
4. Nacisnij dwa razy przycisk „**PRE-HEAT/FROZEN**”.
5. Wybierz żądaną funkcję naciskając odpowiedni przycisk funkcji na panelu sterowania. Domyślna temperatura i czas trwania procesu zaczną pulsować na wyświetlaczu LED.
  - a. Jeśli to konieczne, nacisnij raz przycisk „**TEMP/TIME**”, a następnie pokrętkiem „**JOG DIAL**” ustaw żądaną temperaturę gotowania.
  - b. Jeśli to konieczne, nacisnij raz przycisk „**TEMP/TIME**”, a następnie pokrętkiem „**REGULACYJNYM**” ustaw żądany czas trwania procesu.
6. Nacisnij przycisk „**START/CANCEL**”, aby rozpocząć gotowanie; rozpocznie się odliczanie pozostałego czasu trwania procesu.
7. Po zakończeniu gotowania urządzenie wyemituje sygnał dźwiękowy i przełączy się do trybu czuwania.
8. Nacisnij przycisk zwalniający, ostrożnie pociągnij za uchwyt miski wewnętrznej i wyjmij potrawę.

Gotowanie zamrożonych potraw jest możliwe tylko przy pomocy programów **FRIES** (frytki), **VEG (warzywa)** i **PIZZA**. W przypadku gotowania innych zamrożonych potraw należy zapoznać się ze wskazówkami dotyczącymi trybu ręcznego gotowania.

## Podgrzewanie wstępne

Aby zapewnić się, że frytkownica osiągnęła odpowiednią temperaturę do gotowania potraw, można skorzystać z funkcji podgrzewania wstępnego, której można użyć przed rozpoczęciem automatycznego gotowania, gotowania w trybie ręcznym i gotowania zamrożonych potraw. Wystarczy raz nacisnąć przycisk PRE-HEAT przed wyborem innej funkcji.



1. Umieść kosz do smażenia w misie wewnętrznej. Włóż misę wewnętrzną do frytkownicy.
2. Podłącz frytkownicę do zasilania sieciowego.
3. Naciśnij przycisk **PRE-HEAT/FROZEN**.
4. Wybierz żądany program naciskając odpowiedni przycisk programu automatycznego gotowania na panelu sterowania. Domyślna temperatura i czas trwania procesu zaczną pulsować na wyświetlaczu LED.
  - a. Jeśli to konieczne, naciśnij raz przycisk „**TEMP/TIME**”. Następnie pokrętkiem „**REGULACYJNYM**” ustaw żądaną temperaturę gotowania.
  - b. Jeśli to konieczne, naciśnij raz przycisk „**TEMP/TIME**”, a następnie pokrętkiem „**REGULACYJNYM**” ustaw żądany czas trwania procesu.
5. Naciśnij przycisk „**START/CANCEL**”.
6. Po osiągnięciu prawidłowej temperatury w trybie podgrzewania wstępnego urządzenie wyemituje sygnał dźwiękowy.
7. Wyjmij misę wewnętrzną i równomiernie rozłóż potrawę, którą chcesz ugotować, w koszu do smażenia.
8. Włóż z powrotem misę wewnętrzną/kosz do smażenia do frytkownicy.
9. Frytkownica Air Fryer uruchomi się automatycznie i zacznie odliczać czas.
10. Po zakończeniu gotowania urządzenie wyemituje sygnał dźwiękowy i przełączy się do trybu czuwania.
11. Wyciągnij wewnętrzny garnek i pamiętaj, aby obchodzić się z nim ostrożnie i natychmiast wyjąć jedzenie z kosza do smażenia na powietrzu, w przeciwnym razie ciepło pozostające we frytkownicy będzie nadal gotować i wysuszać jedzenie.

## POKRĘTKO

Pokrętło na frytkownicy beztłuszczowej spełnia kilka funkcji. Niektóre z nich duplikują przyciski na panelu sterowania. Po podłączeniu do zasilania sieciowego frytkownica przełączy się do trybu ustawiania funkcji, wyświetli się ustawienie temperatury i czasu trwania procesu dla pierwszego programu automatycznego gotowania.

Aby wybrać żądany program automatycznego gotowania, obróć pokrętło. Następnie naciśnij środek pokrętła, aby zatwierdzić pulsującą nazwę programu. Jeśli ustawienia temperatury i czasu trwania procesu na wyświetlaczu są odpowiednie, naciśnij przycisk **START/CANCEL** na górnym panelu sterowania, aby rozpocząć gotowanie. Jeśli to konieczne, można dostosować ustawienie temperatury i czasu trwania procesu w wybranym programie automatycznego gotowania - przed naciśnięciem przycisku **START/CANCEL** w celu rozpoczęcia gotowania.

1. Naciśnij pokrętło, a wskazanie temperatury zacznie pulsować.
2. Obróć pokrętło, aby ustawić żądaną temperaturę gotowania.
3. Naciśnij pokrętło, aby zatwierdzić ustawienie temperatury. Cyfry wskazania czasu zaczną pulsować.
4. Obróć pokrętło, aby ustawić żądany czas trwania procesu.
5. Naciśnij środek pokrętła, aby rozpocząć proces gotowania.

Aby anulować proces, naciśnij środek pokrętła.

## KONSERWACJA PODCZAS UŻYTKOWANIA

Opisywane urządzenie wymaga niewielkiej konserwacji podczas użytkowania. Należy czyścić frytkownicę beztłuszczową po każdym użyciu, aby przedłużyć jej trwałość.

Frytkownica nie zawiera żadnych elementów, które mogą być serwisowane przez użytkownika. Nie próbuj samodzielnie naprawiać urządzenia. W mało prawdopodobnym przypadku usterki należy skontaktować się z centrum obsługi telefonicznej firmy SHARP, korzystając z informacji podanych na początku niniejszej instrukcji obsługi.

## WSKAZÓWKI DOTYCZĄCE CZYSZCZENIA

**OSTRZEŻENIE:** Aby uniknąć porażenia prądem, NIE WOLNO ZANURZAĆ FRYTOWNICY POWIETRZNEJ W WODZIE ANI JAKICHKOLWIEK INNYCH CIECZACH.

Frytkownicę należy regularnie czyścić, aby zapewnić najlepszą wydajność i długą trwałość. Regularne czyszczenie zmniejszy również ryzyko pożaru. Aby oczyścić urządzenie, należy postępować zgodnie z poniższymi wskazówkami:

1. Należy odłączyć wtyczkę przewodu zasilającego od gniazdka elektrycznego. Należy odczekać, aż frytkownica ostygnie.
2. Kosz do smażenia i misę wewnętrzną należy czyścić wilgotną ściereczką namoczoną w wodzie z mydłem. Upewnij się, że używasz tylko łagodnego roztworu wody z mydłem. Jeśli na koszu lub misie wewnętrznej pojawiają się trudne do usunięcia zabrudzenia, należy namoczyć je w ciepłej wodzie przez około dziesięć minut.
3. Elementy grzejne należy czyścić suchą i miękką ściereczką.
4. Zewnętrzne powierzchnie frytkownicy należy czyścić miękką i wilgotną ściereczką, a następnie osuszyć.

**OSTRZEŻENIE:** Do czyszczenia powierzchni kosza do smażenia oraz miski wewnętrznej NIE WOLNO STOSOWAĆ ŻRĄCYCH ŚRODKÓW CZYSZCZĄCYCH ANI ŻADNYCH INNYCH ŚRODKÓW DO SZOROWANIA. Upewnij się, że używasz tylko łagodnego roztworu wody z mydłem. Żrące środki czyszczące, szczoteczki do szorowania i chemiczne środki czyszczące spowodują uszkodzenie powłoki urządzenia.

Oprócz zalecanego czyszczenia żadne inne czynności konserwacyjne ze strony użytkownika nie są konieczne. Wszelkie inne czynności serwisowe należy powierzyć personelowi autoryzowanego serwisu.

## PRZECHOWYWANIE

Przed przechowywaniem należy odłączyć urządzenie od zasilania sieciowego, odczekać dopóki nie ostygnie i oczyścić. Frytkownicę należy przechowywać w oryginalnym opakowaniu w czystym i suchym miejscu. Nigdy nie wolno przechowywać gorącego lub podłączonego do zasilania sieciowego urządzenia. Nie wolno owijać przewodu zasilającego ciasno wokół frytkownicy. Nie wolno napręzać przewodu zasilającego, w miejscu w którym wychodzi on z urządzenia, ponieważ mogłoby to spowodować przetarcie lub pęknięcie przewodu zasilającego.

W przypadku przechowywania frytkownicy przez dłuższy czas należy upewnić się, że urządzenie jest czyste i wolne od resztek żywności. Frytkownicę należy przechowywać w suchym miejscu. np. na stole kuchennym, blacie lub półce w szafce.

# ROZWIĄZYWANIE PROBLEMÓW

W przypadku wystąpienia problemów z frytkownicą należy postępować zgodnie z poniższymi wskazówkami.

Frytkownica nie działa.	Urządzenie nie zostało podłączone do zasilania lub nie jest włączone.	Upewnij się, że wtyczka przewodu zasilającego jest podłączona do gniazdka elektrycznego w ścianie, a urządzenia jest włączone.
	Nie ustawiono czasu trwania procesu ani temperatury.	Ustaw czas trwania procesu i temperaturę, a następnie naciśnij przycisk „ <b>START/CANCEL</b> ”.
	Misa wewnętrzna nie została prawidłowo zablokowana w urządzeniu.	Wsuwaj misę wewnętrzną do frytkownicy, aż usłyszysz „kliknięcie”.
Składniki smażone we frytkownicy nie są prawidłowo ugotowane.	W koszu do smażenia znajduje się zbyt duża ilość gotowanej żywności.	W koszu do smażenia należy umieszczać mniejsze porcje składników. Mniejsze porcje są smażone bardziej równomiernie.
	Ustawiona temperatura jest zbyt niska.	Dostosuj temperaturę do wymaganego ustawienia temperatury.
	Czas trwania procesu jest zbyt krótki.	Dostosuj timer do wymaganego ustawienia czasu trwania procesu.
Smażone przekąski nie są chrupiące po wyjęciu z frytkownicy.	Użyłeś przekąsek przeznaczonych do przygotowania w tradycyjnej frytkownicy do smażenia w głębokim tłuszczu.	Użyj przekąsek przeznaczonych do przygotowania w piekarniku lub lekko posmaruj je odrobina oleju, aby były bardziej chrupiące.
Prawidłowe włożenie misy wewnętrznej i kosza do smażenia do urządzenia jest utrudnione lub niemożliwe.	W koszu do smażenia znajduje się zbyt duża ilość gotowanej żywności.	Nie wolno przepelniać kosza do smażenia.
	Kosz do smażenia nie został prawidłowo umieszczony w misie wewnętrznej.	Wsuwaj kosz do smażenia do misy wewnętrznej, aż usłyszysz lekkie kliknięcie.
Z urządzenia wydobywa się biały dym.	Przetworzysz tłuste składniki.	Podczas smażenia we frytkownicy tłustych składników do misy wewnętrznej wycieknie duża ilość tłuszczu. Tłuszcz może dymić na białą, a misa wewnętrzna może nagrzewać się mocniej niż zazwyczaj. Nie ma to wpływu na urządzenie ani efekty końcowe smażenia.
	W misie wewnętrznej nadal znajdują się pozostałości tłuszczu z poprzedniego smażenia.	Biały dym jest spowodowany nagrzewaniem się tłuszczu w misie wewnętrznej; należy pamiętać o starannym oczyszczeniu kosza do smażenia i misy wewnętrznej po każdym użyciu.
Świeże frytki nie są równomiernie wysmażone.	Użyto niewłaściwego rodzaju ziemniaków.	Użyj świeżych ziemniaków i upewnij się, że podczas smażenia pozostają twarde.
	Nie optukałeś odpowiednio pasków ziemniaków przed ich usmażeniem.	Dokładnie oplucz paski ziemniaków, aby usunąć skrobię z zewnętrznej powierzchni pasków.
Świeże frytki nie są chrupiące po wyjęciu z frytkownicy.	Chrupkość frytek zależy od ilości/rodzaju użytego oleju i wody we frytkach.	Upewnij się, że paski ziemniaków zostały odpowiednio osuszone przed dodaniem oleju.
		Pokrój ziemniaki na cieńsze paski, aby zapewnić większą chrupkość.
		Dodaj nieco więcej oleju, aby zapewnić większą chrupkość.

Jeśli nadal występują problemy, skontaktuj się z centrum obsługi telefonicznej firmy SHARP, korzystając z informacji podanych na początku niniejszej instrukcji obsługi.





### Atenção:

O seu produto está marcado com este símbolo

Significa que os produtos elétricos e eletrónicos usados não devem ser misturados com o lixo doméstico geral. Existe um sistema de recolha específico para estes produtos.



[www.sharpconsumer.com/contact/](http://www.sharpconsumer.com/contact/)



[www.sharpconsumer.com/support/](http://www.sharpconsumer.com/support/)



[www.sharpconsumer.com/documents-of-conformity/](http://www.sharpconsumer.com/documents-of-conformity/)

## A. Informações sobre a Eliminação para os Utilizadores (particulares)

### 1. Na União Europeia

Atenção: Se quiser eliminar este equipamento, não use um caixote do lixo comum!

O equipamento elétrico e eletrónico usado tem de ser tratado em separado e de acordo com a legislação que requer um tratamento, recuperação e reciclagem adequados de equipamento elétrico e eletrónico usado.

No seguimento da implementação pelos estados membros, os agregados domésticos privados nos estados da UE devem entregar o seu equipamento elétrico e eletrónico usado num local designado para a sua recolha, sem qualquer custo\*.

Em alguns países\* o seu vendedor local pode também receber o seu produto antigo, sem qualquer custo, se adquirir um outro semelhante.

\*) Contacte as entidades locais para mais informações.

Se o seu equipamento elétrico ou eletrónico usado tiver pilhas ou pilhas recarregáveis, elimine-as previamente em separado de acordo com as exigências locais. Ao eliminar corretamente este produto estará a ajudar a garantir que os resíduos recebem o tratamento, recuperação e reciclagem necessários e, assim, evita potenciais efeitos negativos sobre o meio ambiente e a saúde humana que, de outro modo, poderiam surgir devido ao manuseamento incorreto dos resíduos.

### 2. Em outros países fora da UE

Se pretende desfazer-se deste produto, contacte, por favor, as suas autoridades locais e informe-se sobre o método de eliminação correto.

Para a Suíça: O equipamento elétrico e eletrónico usado pode ser devolvido ao comerciante, sem qualquer custo, mesmo que não adquira um novo produto. Os locais de recolha adicionais encontram-se listados na página principal de [www.swico.ch](http://www.swico.ch) ou [www.sens.ch](http://www.sens.ch).

## B. Informações sobre a Eliminação de Produtos para Utilizadores-Empresas

### 1. Na União Europeia

Se o produto é utilizado para fins comerciais e se pretende desfazer-se dele: Agradecemos que contacte o seu revendedor SHARP que o informará sobre como devolver o produto. Podem ser-lhe cobrados custos resultantes da devolução e reciclagem. Produtos pequenos (e pequenas quantidades) podem ser devolvidos nos locais de recolha da sua zona.

Para a Espanha: Agradecemos que contacte o sistema de recolha instituído ou a sua autoridade local para a devolução dos seus produtos usados.

### 2. Em outros países fora da UE

Se pretende desfazer-se deste produto, contacte, por favor, as suas autoridades locais e informe-se sobre o método de eliminação correto.

---


# ÍNDICE

INSTRUÇÕES DE SEGURANÇA.....	3
ESPECIFICAÇÕES.....	7
FRITADEIRA DE AR QUENTE E ACESSÓRIOS.....	8
PAINEL DE CONTROLO.....	9
ANTES DE UTILIZAR A FRITADEIRA DE AR QUENTE.....	9
INSTRUÇÕES DE FUNCIONAMENTO.....	10
Cozedura automática.....	10
Cozinhar congelados.....	11
Pré-aquecer.....	12
COMANDO ROTATIVO.....	12
MANUTENÇÃO DURANTE A UTILIZAÇÃO.....	13
INSTRUÇÕES DE LIMPEZA.....	13
GUARDAR O PRODUTO.....	13
RESOLUÇÃO DE PROBLEMAS.....	14

## INSTRUÇÕES DE SEGURANÇA

**Ao usar um eletrodoméstico, devem ser sempre seguidas as precauções de segurança básicas, incluindo as seguintes:**

- As crianças devem ser supervisionadas de modo a garantir que NÃO BRINCAM com o aparelho.
- Este eletrodoméstico não foi feito para ser usado por pessoas (incluindo crianças) com capacidades físicas, sensoriais e mentais reduzidas, ou com falta de experiência e conhecimentos, a não ser que esteja uma pessoa responsável pela sua segurança a supervisionar ou a dar instruções relativas ao uso do eletrodoméstico.
- Limpe o cesto da fritadeira de ar quente e o recipiente interior com um pano humedecido numa solução de detergente. Assegure-se de que utiliza apenas uma solução de água e detergente neutro.
- NÃO utilize esfregão de palha-d' aço para limpar. Pode ocorrer a libertação de pedaços de aço que em contacto com os componentes elétricos criam o risco de eletrocussão. A superfície também ficará danificada.
- Seque a unidade e todos os acessórios com um pano macio antes de a guardar ou utilizar.
- Se persistirem manchas no cesto ou no recipiente interior difíceis de limpar, mantenha estas peças submergidas em água quente durante 10 minutos antes de limpar.
- O cesto de fritar e o recipiente interior podem ser lavados na máquina da loiça.
- NUNCA encha em demasia. Encher em demasia por causar ferimentos ou danos materiais, assim como comprometer a segurança durante a utilização do eletrodoméstico.
- NUNCA coloque óleo nem qualquer outro líquido no recipiente interior.
- NÃO utilize este eletrodoméstico para fritadura por imersão em óleo.

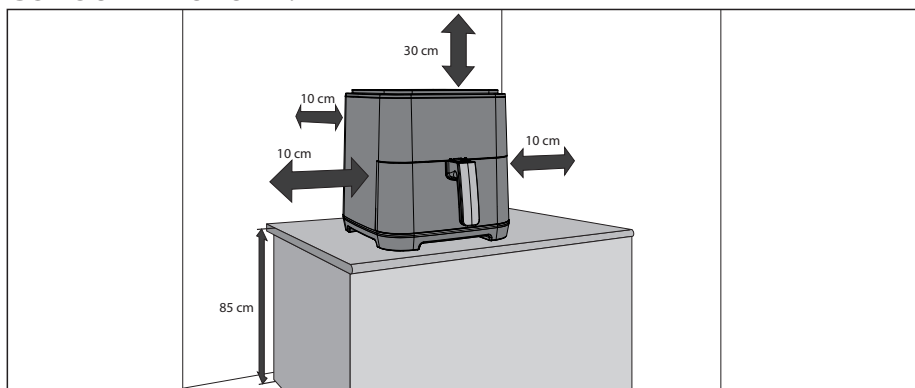
- 
- Assegure-se de que os alimentos estão devidamente preparados e cozinhados para evitar perigos à saúde.
  - Evite o contacto dos alimentos com as resistências de aquecimento.
  - Assegure-se SEMPRE de que o eletrodoméstico está montado corretamente antes da utilização.
  - NUNCA coloque qualquer um dos seguintes materiais dentro da fritadeira de ar quente: cartão, plástico, papel ou semelhantes.
  - NUNCA guarde outros materiais dentro da fritadeira de ar quente, para além dos acessórios fornecidos, quando esta não estiver a ser utilizada.
  - NÃO USE o eletrodoméstico de outro modo que não aquele a que se destina.
  - NÃO USE no exterior.
  - Se precisar de qualquer esclarecimento sobre este produto, contacte a linha de apoio da Sharp.
  - Para segurar o eletrodoméstico, utilize apenas as asas previstas para o efeito e use luvas ou pegas para se proteger contra queimaduras.
  - Leia integralmente as presentes instruções para garantir que conhece o funcionamento desta fritadeira de ar quente. NÃO toque nas superfícies quentes, sempre que possível, use as asas ou os botões (consoante o modelo).
  - O uso de acessórios não recomendados pode provocar perigos ou ferimentos.
  - Este eletrodoméstico DESTINA-SE APENAS a uso doméstico.
  - Para evitar que o recipiente interior caia no chão, coloque-o numa superfície estável antes de levantar o cesto da fritadeira de ar quente.
  - Durante a utilização, assegure-se de que a asa está virada para si.
  - ATENÇÃO: a marca  significa que as SUPERFÍCIES DO ELETRODOMÉSTICO ESTÃO QUENTES DURANTE O USO OU

APÓS O MESMO. NÃO TOQUE nas superfícies quentes.

- NÃO CUBRA a ventilação de entrada de ar nem a ventilação de saída de ar enquanto a unidade está a funcionar. Fazê-lo pode impedir a confeção dos alimentos e danificar a unidade ou causar sobreaquecimento.
- NÃO TOQUE nos acessórios durante ou imediatamente após cozinhar.
- Quando o eletrodoméstico contém alimentos quentes, deve ter muito cuidado. Um uso indevido pode resultar em ferimentos.
- Após utilizar a unidade, deixe passar algum tempo para que esta arrefeça.
- Deixe a fritadeira de ar quente arrefecer antes de limpá-la.
- AVISO: como a fritadeira de ar quente aquece durante a utilização, as superfícies podem atingir altas temperaturas e, como tal, este equipamento deve ser manuseado com cuidado.
- Use luvas de proteção térmica quando tocar em superfícies quentes, no cesto da fritadeira de ar quente, no recipiente interior e nos alimentos.
- Quando utilizar este eletrodoméstico, assegure-se de que existe espaço suficiente por cima e em todos os lados para circulação de ar. Verifique SEMPRE que o recipiente interior está devidamente fechado antes da utilização.
- NÃO deixe o cabo de alimentação suspenso na borda da superfície de trabalho nem que este toque em superfícies quentes.
- NÃO utilize o eletrodoméstico se o cabo de alimentação ou a ficha apresentar qualquer tipos de danos ou se o eletrodoméstico tiver falhas de funcionamento ou sofrer qualquer tipo de danos.
- NÃO substitua nem modifique o cabo de alimentação ou a ficha.
- NÃO utilize um cabo de extensão.

- 
- Assegure-se de que a tomada/interruptor de alimentação está acessível quando estiver a utilizar a fritadeira de ar quente.
  - Esta fritadeira de ar quente não foi feita para funcionar através de um temporizador externo ou por um sistema de controlo remoto separado.
  - Desligue da tomada elétrica quando não estiver a utilizar ou antes de limpar.
  - Quando desligar a ficha de alimentação da tomada elétrica, segure sempre pela ficha, nunca puxe pelo cabo para desligar.
  - Após parar de utilizar a fritadeira de ar quente, prima o botão PARAR/CANCELAR para voltar ao modo de espera, depois desligue da tomada elétrica.
  - Para proteger contra o risco de choque elétrico, NÃO mergulhe a fritadeira de ar quente em água ou outros líquidos.
  - NÃO cubra nenhum componente da fritadeira de ar quente durante o funcionamento, pois tal pode causar sobreaquecimento.
  - NÃO coloque a fritadeira de ar quente sobre superfícies quentes, junto de fogões a gás/elétricos nem dentro de um forno quente.

- Durante o funcionamento da fritadeira de ar quente, mantenha uma distância mínima de 100 mm a toda a volta do eletrodoméstico para manter uma circulação de ar adequada. **GUARDE ESTAS INSTRUÇÕES NUM LOCAL APROPRIADO PARA CONSULTA FUTURA.**



## ESPECIFICAÇÕES

Nome do modelo	GS404A
Potência da fritadeira de ar quente (W)	1300
Níveis de temperatura da fritadeira de ar quente (Celsius)	80 °C a 200 °C
8 programas automáticos	Batatas fritas, carne, vegetais, galinha pequena, bacon, peixe, batata, pizza
2 funções	Pré-aquecer, Cozinhar congelados
Capacidade (litros)	4,0
Painel de controlo	Digital com comando rotativo
Revestimento do cesto de fritar	Antiaderente
Dimensões do cesto de fritar (diâmetro x altura em mm)	Ø190 x 50
Revestimento do recipiente interior	Antiaderente
Dimensões do recipiente interior (diâmetro x altura em mm)	200 x 120
Comprimento do cabo de alimentação (mm)	900
Nível de ruído (dB)	55 - 62
Consumo de energia (W)	1300
Requisitos de alimentação elétrica	220-240V 50 Hz
Consumo de energia no modo de espera (W)	<0.5
Dimensões (L x A x P em mm)	261 x 338 x 327
Peso (kg)	4,5

O produto cumpre com os regulamentos e as normas em vigor no Reino Unido e na UE.

COMO PARTE DA POLÍTICA DE CONTÍNUAS MELHORIAS, RESERVAMO-NOS O DIREITO DE ALTERAR O DESENHO E AS ESPECIFICAÇÕES SEM AVISO PRÉVIO.

# FRITADEIRA DE AR QUENTE E ACESSÓRIOS

**Antes de utilizar a fritadeira de ar quente pela primeira vez, conheça as suas funções e acessórios.**

**Recipiente interior:** coloque o cesto de fritar no recipiente interior e, depois, coloque o recipiente interior na fritadeira de ar quente.

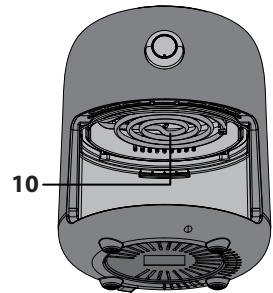
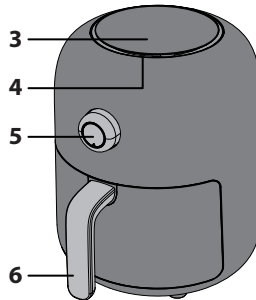
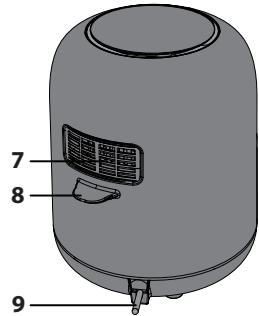
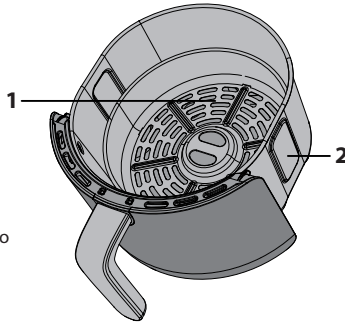
**Cesto de fritar:** coloque os alimentos no cesto de fritar e, depois, coloque o cesto de fritar no recipiente interior para cozinhar.

**NOTA:** para evitar que o recipiente interior caia no chão, coloque-o numa superfície estável antes de levantar o cesto de fritar.

**Ventilação de saída de ar:** durante a utilização será expelido vapor quente pela ventilação de saída (isto é normal), mantenha a face e as mãos afastadas da ventilação de saída de ar durante a confeção para prevenir queimaduras.

**Asa:** usada para inserir ou retirar da fritadeira de ar quente o recipiente interior e o cesto de fritar.

1. Cesto de fritar
2. Recipiente interior
3. Painel de controlo
4. Entrada de ar
5. Botão rotativo
6. Asa do cesto de fritar
7. Ventilação de saída de ar
8. Asa de segurar
9. Cabo de alimentação
10. Resistência de aquecimento



## SENTIDO DE CIRCULAÇÃO DO AR

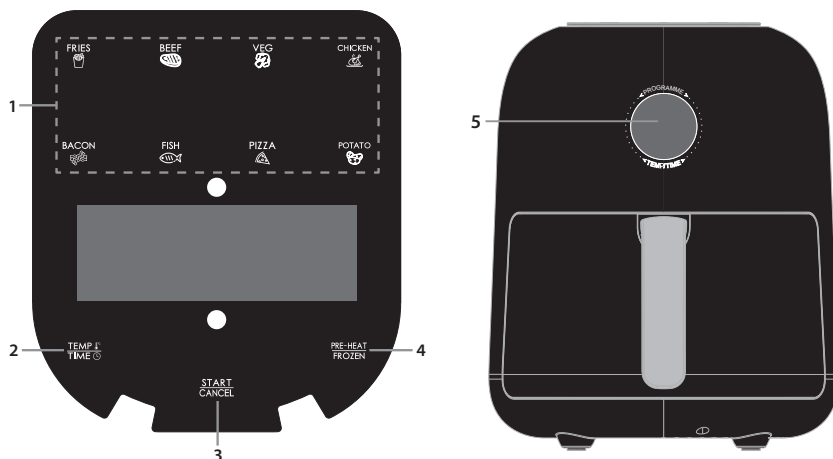
Durante a confeção, o ar quente da resistência desloca-se conforme ilustrado na imagem abaixo. Isto garante que os alimentos são cozinhados uniformemente durante o período de tempo estabelecido e à temperatura regulada. Não utilize materiais, como película de alumínio, que possam obstruir este fluxo de ar, nem encha em demasia o cesto de fritar.





## PAINEL DE CONTROLO

- 1. Botões de cozedura automática** – Programas de confeção automática, disponíveis 8 opções para seleccionar.
- 2. Temperatura/tempo** – Use este botão para controlar a temperatura e o tempo manualmente.
- 3. Iniciar/cancelar** – Inicia o funcionamento da fritadeira de ar quente ou cancela/pausa o funcionamento.
- 4. Pré-aquecer/congelados** – Para pré-aquecer a fritadeira de ar quente à temperatura de confeção correta ou cozinhar congelados.
- 5. Comando rotativo** – Utilizado para ajustar o tempo e a temperatura.



## ANTES DE UTILIZAR A FRITADEIRA DE AR QUENTE

Antes de utilizar a fritadeira de ar quente pela primeira vez, e depois de ter desembalado e retirado todos os materiais de embalagem, recomendamos limpar o recipiente interior e o cesto de fritar numa solução de água e detergente ou na máquina de lavar loiça. Depois, seque completamente todos os acessórios e volte a montar a fritadeira de ar quente. Limpe o exterior da unidade e as peças interiores com um pano húmido e seque antes de utilizar. Ligar a ficha à rede eléctrica e programar o aparelho para cozinhar batatas fritas (não colocar nenhum alimento no aparelho). O aparelho será ligado a 180°C durante 23 minutos, permitindo a dissipação de qualquer resíduo que possa ter aderido ao elemento de aquecimento durante o fabrico. Aconselhamos que leia estas instruções na íntegra antes da utilização.

# INSTRUÇÕES DE FUNCIONAMENTO

A sua fritadeira de ar quente tem vários modos de funcionamento.

**Cozedura automática** – selecione um dos 8 programas predefinidos para cozinhar.

**Cozinhar congelados** – cozinha alimentos congelados (apenas legumes, pizza e batatas fritas).

**Pré-aquecer** – garante que a fritadeira de ar quente está à temperatura correta para começar a cozinhar.

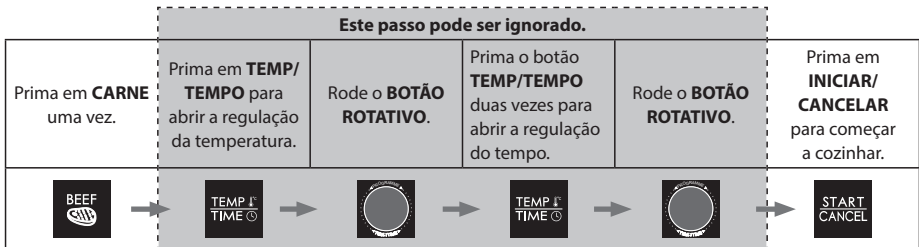
## Notas sobre a confeção de alimentos

- A quantidade de alimentos não deve ocupar mais de 3/4 do espaço total do cesto de fritar.
- A temperatura e o tempo de cozedura podem ser ajustados durante a confeção.
- Para interromper a cozedura, puxe a panela interior para fora do aparelho; quando a empurrar de novo para dentro, o aparelho arranca automaticamente.
- Para cancelar a confeção, carregue no botão "INICIAR/CANCELAR" duas vezes.
- Alguns alimentos terão de ser mexidos/agitados durante a cozedura: Retire o recipiente interior da unidade, mexa/agite conforme necessário e volte a colocar o recipiente interior na Air Fryer; a Air Fryer reiniciará-se automaticamente.
- Assegure-se de que os alimentos foram cozinhados corretamente. Se a comida estiver crua, volte a colocá-la na fritadeira de ar quente e cozinhe por mais tempo.
- Para evitar que o recipiente interior caia no chão, coloque-o numa e aqueça prova de superfície estável e resistente ao calor antes de levantar o cesto.
- Utilize esta fritadeira de ar quente apenas para cozinhar alimentos.
- NÃO use para fritar alimentos em banho de óleo.

## Cozedura automática

Para maior facilidade e conveniência de utilização, estão disponíveis 8 programas automáticos para cozinhar. Estes são acedidos através dos botões dedicados no painel de controlo.

O exemplo acima ilustra a preparação de carne. Só será necessário ajustar o tempo ou a temperatura conforme prefira alimentos bem-passados ou malpassados.



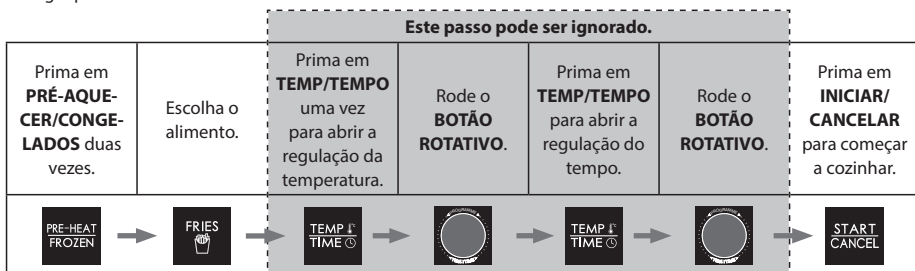
1. Distribua uniformemente pelo cesto de fritar a comida a ser cozinhada
2. Coloque o cesto de fritar no recipiente interior. Introduza o recipiente interior na fritadeira de ar quente.
3. Ligue a ficha da fritadeira de ar quente à tomada elétrica.
4. Selecione o alimento pretendido premindo o botão de cozedura automática no painel de controlo. O valor de temperatura e tempo irá piscar no mostrador LED.
  - a. Se necessário, prima o botão "TEMP/TEMPO" uma vez e, depois, rode o **BOTÃO ROTATIVO** para ajustar a temperatura de cozedura pretendida.
  - b. Se necessário, prima o botão "TEMP/TEMPO" duas vezes e, depois, rode o **BOTÃO ROTATIVO** para ajustar o tempo de cozedura pretendido.
5. Prima o botão "INICIAR/CANCELAR" uma vez para começar a confeção dos alimentos; é iniciada a contagem decrescente.
6. Quando a cozedura estiver concluída, a fritadeira de ar quente irá emitir um aviso sonoro e a unidade retorna ao modo de espera.
7. Retire o recipiente interior com cuidado usando a asa e retire a comida do cesto de fritar imediatamente. Caso contrário, o calor remanescente na fritadeira de ar quente irá continuar a cozinhar os alimentos e secá-los.

**Nota:** Se pretender alterar o tempo de cozedura no modo de cozedura automática, só é possível aumentar no máximo 30%. Esta limitação previne que os alimentos fiquem queimados.

Alimento	Peso	Temperatura inicial da comida	Tempo de cozedura	Tempo adicional máximo	Virar	Tempo para cozinhar congelados	Temperatura	Comentários
Batatas fritas	200 g - 500 g	Temperatura ambiente	15 - 20	23	Sim	26	180	Do not overload the pot.
Vaca	150 g - 500 g		8 - 12	16	Sim	-	200	É possível cozinhar até 270 g de carne
Legumes	100 g - 400 g		10	13	Sim	14	190	Cut up vegetables into pieces 2 x 3cm.
Frango	800 a 1000g		30	39	Sim	-	190	Frango inteiro ou pedaços grandes
Bacon	4 a 6 fatias		9	12	-	-	180	Distribua as fatias de bacon uniformemente no cesto de fritar
Peixe	100 g - 500 g		12	16	Sim	-	200	Place fish pieces directly onto the base of the frying basket.
Batatas	250 g cada		40	52	Sim	-	200	Coloque até 3 batatas de 250 g cada no cesto de fritar
Pizza	100 g - 400 g		13	17	-	-	18	Place whole or pizza pieces directly in the frying basket.

## Cozinhar congelados

Para cozinhar alimentos congelados, siga as instruções indicadas para a confeção automática mas, comece por carregar primeiro no botão "CONGELADOS":



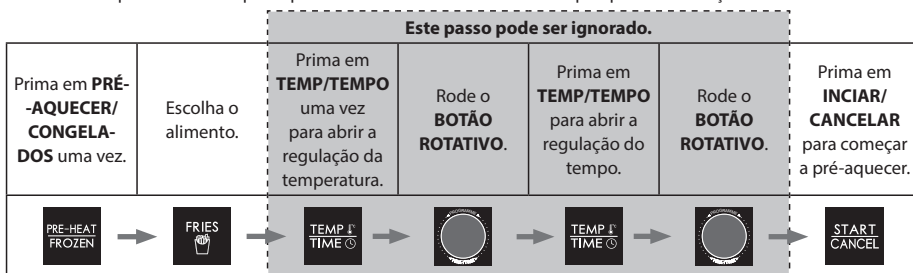
- Distribua uniformemente pelo cesto de fritar a comida a ser cozinhada
- Coloque o cesto de fritar no recipiente interior. Introduza o recipiente interior na fritadeira de ar quente.
- Ligue a ficha da fritadeira de ar quente à tomada elétrica.
- Prima o botão "PRÉ-AQUECER/CONGELADOS" duas vezes.
- Selecione a função pretendida premindo o botão de função no painel de controlo. O valor predefinido de temperatura e tempo irá piscar no mostrador LED.
  - Se necessário, prima o botão "TEMP/TEMPO" uma vez e, depois, rode o **BOTÃO ROTATIVO** para ajustar a temperatura de cozedura pretendida.
  - Se necessário, prima o botão "TEMP/TEMPO" duas vezes e, depois, rode o **BOTÃO ROTATIVO** para ajustar o tempo de cozedura pretendido.
- Prima o botão "INICIAR/CANCELAR" uma vez para começar a confeção dos alimentos; é iniciada a contagem decrescente.
- Quando a cozedura estiver concluída, a unidade irá emitir um aviso sonoro e retorna ao modo de espera.
- Prima o botão de abertura e retire recipiente interior com cuidado pela asa para retirar os alimentos.

A função cozinhar congelados só permite cozinhar **BATATAS FRITAS, LEGUMES e PIZA**.

Para cozinhar outros alimentos congelados, consulte os conselhos de cozedura manual.

## Pré-aquecer

Para garantir que a sua fritadeira de ar quente está à temperatura correta para cozinhar a sua comida, está disponível uma função de pré-aquecimento, a qual pode ser usada antes das funções de cozedura automática e cozedura manual. Basta premir o botão "pré-aquecer" uma vez antes de selecionar qualquer outra função.



1. Coloque o cesto de fritar no recipiente interior. Introduza o recipiente interior na fritadeira de ar quente.
2. Ligue a ficha da fritadeira de ar quente à tomada elétrica.
3. Prima o botão **PRÉ-AQUECER/ CONGELADOS** uma vez.
4. Selecione o alimento pretendido premindo o botão de cozedura automática adequado no painel de controlo. O valor predefinido de temperatura e tempo irá piscar no mostrador LED.
  - a. Se necessário, prima o botão "**TEMP/TEMPO**" uma vez e, depois, prima em "-" ou "+" para ajustar a temperatura de cozedura pretendida.
  - b. Se necessário, prima o botão "**TEMP/TEMPO**" duas vezes e, depois, rode o **BOTÃO ROTATIVO** para ajustar o tempo de cozedura pretendido.
5. Prima o botão "**INICIAR/CANCELAR**".
6. Quando a unidade atingir a temperatura de pré-aquecimento definida, será emitido um aviso sonoro.
7. Retire o recipiente interior e distribua uniformemente pelo cesto os alimentos a cozinhar.
8. Volte a colocar o recipiente interior/cesto de fritar na fritadeira de ar quente.
9. A fritadeira arranca automaticamente e o tempo começa a contar.
10. Quando a cozedura estiver concluída, a unidade irá emitir um aviso sonoro e retorna ao modo de espera.
11. Retire a panela interior e lembre-se de a manusear com cuidado e de retirar imediatamente os alimentos do cesto de fritar ou o calor que permanece na fritadeira continuará a cozinhar e a secar os alimentos.

## COMANDO ROTATIVO

O botão de comando rotativo desempenha várias funções na sua fritadeira de ar quente. Algumas destas funções são duplicados dos botões no painel de controlo.

Quando a ficha elétrica da fritadeira de ar quente é ligada à tomada de cada, esta irá entrar no modo de definição de unções e apresentar a temperatura e o tempo para o primeiro modo de programa automático.

Para selecionar o menu automático pretendido, rode o botão, quando o nome do seu menu estiver a piscar, prima o centro do botão para confirmar. Se a temperatura e o tempo indicados no visor forem adequados, prima o botão **INICIAR/CANCELAR** no painel de controlo superior para começar a cozinhar.

Se for necessário, pode ajustar a temperatura e o tempo de cozedura do menu selecionado, antes de premir o botão **INICIAR/CANCELAR** para começar a cozinhar.

1. Prima o botão e a temperatura apresentada começa a piscar.
2. Rode o botão para ajustar a temperatura de cozedura desejada.
3. Prima o botão para confirmar a regulação de temperatura. Os dígitos do tempo começam a piscar.
4. Rode o botão para ajustar o tempo de cozedura desejado.
5. Prima o centro do botão para começar a cozinhar.

Para cancelar a cozedura, prima o centro do botão.

## MANUTENÇÃO DURANTE A UTILIZAÇÃO

Este eletrodoméstico exige pouca manutenção durante a sua utilização. Limpe a sua fritadeira de ar quente sempre que a utilizar para prolongar a sua vida útil.

Esta fritadeira de ar quente não contém peças passíveis de serem reparadas. Nunca tente repará-la. Na eventualidade remota de ocorrer uma avaria, contacte o serviço de assistência da SHARP utilizando as informações indicadas no início deste manual do utilizador.

## INSTRUÇÕES DE LIMPEZA

**ATENÇÃO:** para evitar o risco de choque elétrico, NÃO MERGULHE A FRITADEIRA DE AR QUENTE EM ÁGUA OU OUTROS LÍQUIDOS.

Deve limpar a sua fritadeira de ar quente regularmente para garantir as melhores prestações de funcionamento e prolongar a sua vida útil. A limpeza regular irá também reduzir o risco de incêndio. Para limpar o eletrodoméstico, siga as instruções indicadas abaixo:

1. Desligue o cabo de alimentação da tomada elétrica. Deixe a fritadeira de ar quente arrefecer.
2. Limpe o cesto de fritar e o recipiente interior com um pano humedecido com água e detergente. Assegure-se de que usa apenas uma solução de água e detergente não agressivo. Se persistirem nódos de difícil remoção no cesto ou no recipiente interior, mantenha estas peças submergidas em água quente durante 10 minutos.
3. Limpe as resistências com um pano seco e macio.
4. Limpe a parte exterior da fritadeira de ar quente com um pano macio humedecido e, depois, seque.

**ATENÇÃO:** NÃO USE PRODUTOS DE LIMPEZA ABRASIVOS NEM QUALQUER TIPO DE ESFREGÃO nas superfícies do cesto de fritar e do recipiente interior. Assegure-se de que usa apenas uma solução de água e detergente não agressivo. O uso de produtos de limpeza abrasivos, esfregões ou detergentes químicos irá danificar o revestimento desta unidade.

Para além da limpeza recomendada, não deve ser necessária qualquer manutenção por parte do utilizador.

Qualquer outras intervenção de manutenção necessária deve ser realizada por um representante autorizado de assistência técnica.

## GUARDAR O PRODUTO

Desligue a unidade da corrente elétrica, deixe-a arrefecer e proceda à sua limpeza antes de a guardar. Guarde a fritadeira de ar quente na sua caixa num local limpo e seco. Nunca guarde este eletrodoméstico quando estiver quente ou ainda ligado à corrente elétrica. Nunca enrole o cabo de alimentação demasiado apertado. Não puxe o cabo de alimentação com força, especialmente onde este entra na unidade, para evitar danos no cabo.

Se pretender guardar a fritadeira de ar quente durante períodos prolongados, assegure-se de que a unidade está limpa e isenta de partículas de comida. Guarde a fritadeira de ar quente num local seco, nomeadamente, numa mesa, numa bancada ou numa prateleira de um armário.

# RESOLUÇÃO DE PROBLEMAS

Se a sua fritadeira de ar quente apresentar problemas, consulte as orientações indicadas abaixo.

A fritadeira de ar quente não funciona	O eletrodoméstico poderá não estar ligado à corrente elétrica ou está desligado.	Verifique se o cabo de alimentação está ligado à tomada elétrica e se está ligado.
	Não definiu o tempo ou a temperatura.	Ajuste o tempo ou a temperatura e prima <b>"INICIAR/CANCELAR"</b> .
	O recipiente interior não está bloqueado corretamente na unidade.	Empurre o recipiente interior para dentro da fritadeira de ar quente até este emitir um estalido.
Os ingredientes fritos com a fritadeira de ar quente não estão cozinhados.	Demasiada comida no cesto de fritar.	Coloque menos porções de alimentos no cesto de fritar. Porções menores fritam de forma mais uniforme.
	A temperatura definida é demasiado baixa.	Ajuste a temperatura para a regulação pretendida.
	O tempo de cozedura é insuficiente.	Ajuste o temporizador para o tempo de preparação necessário.
Os aperitivos fritos não estão estaladiços quando saem da fritadeira de ar quente.	Utilizou um tipo de aperitivo destinado a ser cozinhado pelo método convencional de fritura em banho de óleo.	Utilize aperitivos preparados para serem confeccionados no forno ou pincele os aperitivos com um pouco de óleo para obter um resultado estaladiço.
Deslizar o recipiente interior e o cesto de fritar para dentro do eletrodoméstico revela-se difícil ou impossível.	Demasiada comida no cesto de fritar.	Não encha em demasia os cesto de fritar.
	O cesto de fritar não está inserido corretamente dentro do recipiente interior.	Empurre o cesto de fritar para baixo contra o recipiente interior até ouvir um estalido.
Sai fumo branco do eletrodoméstico.	Está a confeccionar alimentos gordurosos.	Quando fritar alimentos gordurosos na fritadeira de ar quente, uma grande parte de óleo irá verter sobre a frigideira. Este óleo pode produzir fumo branco e a frigideira pode aquecer mais do que o habitual. Isto não afeta o eletrodoméstico nem o resultado final.
	A frigideira ainda contém resíduos de gordura da última utilização.	O fumo branco é produzido pelo aquecimento da gordura presente no recipiente interior, assegure-se de que limpa o cesto de fritar e o recipiente interior após cada utilização.
A fritadeira de ar quente não frita uniformemente batatas fritas naturais.	Não usou a qualidade de batata adequada.	Use batatas frescas e assegure-se de que permanecem firmes durante a fritura.
	Não lavou os palitos de batata adequadamente antes de os fritar.	Lave bem os palitos de batata em água para remover o amido do exterior do palitos.
As batatas fritas naturais não estão estaladiças quando saem da fritadeira de ar quente.	O resultado estaladiço das batatas fritas depende do tipo/quantidade de óleo e água nas batatas fritas.	Assegure-se de que seca bem os palitos de batata antes de adicionar o óleo.
		Corte as batatas em pedaços mais finos para obter um resultado mais estaladiço.
		Adicione mais um pouco de óleo para obter um resultado mais estaladiço.

Se as anomalias persistirem, contacte o serviço de assistência da SHARP utilizando os dados indicados no início deste manual do utilizador.



### Atenție:

Produsul dumneavoastră este marcat cu acest simbol.

Simbolul indică faptul că produsele electrice și electronice uzate nu pot fi tratate ca reziduurile menajere. Pentru aceste produse există un sistem de colectare separat.



[www.sharpconsumer.com/contact/](http://www.sharpconsumer.com/contact/)



[www.sharpconsumer.com/support/](http://www.sharpconsumer.com/support/)



[www.sharpconsumer.com/documents-of-conformity/](http://www.sharpconsumer.com/documents-of-conformity/)

## A. Informații pentru utilizatori privind casarea (gospodării)

### 1. În Uniunea Europeană

Atenție: Dacă doriți să eliminați acest dispozitiv, acesta nu poate fi tratat ca un reziduu menajer!

Echipamentele electrice și electronice uzate trebuie tratate separat și în concordanță cu legislația în vigoare referitoare la tratarea, recuperarea și reciclarea corespunzătoare a echipamentelor electrice și electronice uzate. După implementarea în țările membre, gospodăriile din Uniunea Europeană pot returna gratuit echipamentele electrice și electronice uzate la punctele adecvate de colectare\*.

În unele țări\*, produsele uzate pot fi preluate gratuit de furnizorul local în momentul cumpărării unui produs nou similar.

\*) Pentru mai multe detalii, vă rugăm să contactați autoritățile locale.

În cazul în care echipamentul dvs. electric sau electronic vechi are baterii sau acumulatori, eliminați-le separat în prealabil, în conformitate cu regulamentele locale. Prin tratarea corectă a acestui produs ajutați ca deșeurii să i se aplice tratamentul necesar, să fie recuperat sau reciclat. În acest mod ajutați la prevenirea potențialelor efecte negative asupra mediului sau a sănătății oamenilor, care ar putea apărea prin tratarea necorespunzătoare a deșeurii.

### 2. În alte țări din afara UE

Dacă doriți să eliminați acest produs, vă rugăm să contactați autoritățile locale și să întrebați care este modul corect de tratare.

Pentru Elveția: echipamentele electrice sau electronice uzate pot fi returnate gratuit furnizorului, chiar dacă nu cumpărați un produs nou.

Lista punctelor de colectare poate fi găsită la adresa [www.swico.ch](http://www.swico.ch) sau [www.sens.ch](http://www.sens.ch).

## B. Informații despre eliminare pentru Utilizatori comerciali

### 1. În Uniunea Europeană

Dacă acest produs este utilizat în scopuri de afaceri și doriți să-l eliminați:

Vă rugăm să contactați furnizorul SHARP, care vă va informa despre modul de preluare a produsului. Uneori, această preluare se face contra cost. Produsele mici (și în cantități mici) pot fi preluate de punctele locale de colectare.

Pentru Spania: Vă rugăm să contactați sistemul de colectare stabilit sau autoritățile locale pentru preluarea produselor uzate.

### 2. În alte țări din afara UE

Dacă doriți să eliminați acest produs, vă rugăm să contactați autoritățile locale și să întrebați care este modul corect de tratare.

---

# CUPRINS


INSTRUCȚIUNI DE SIGURANȚĂ.....	3
SPECIFICAȚII.....	7
FRITEUZĂ CU AER CALD ȘI ACCESORII.....	8
PANOUL DE COMANDĂ.....	9
ÎNAINTE DE A UTILIZA FRITEUZA CU AER CALD.....	9
INSTRUCȚIUNI PRIVIND FUNCȚIONAREA.....	10
Gătire automată.....	10
Gătirea alimentelor congelate.....	11
Preîncălzire.....	12
COMENZI BUTON ROTATIV.....	13
ÎNȚREȚINERE ÎN TIMPUL UTILIZĂRII.....	13
INSTRUCȚIUNI DE CURĂȚARE.....	13
DEPOZITARE.....	13
DEPANAREA.....	14



## INSTRUCȚIUNI DE SIGURANȚĂ

**La utilizarea aparatelor electrice, trebuie respectate întotdeauna precauțiile de siguranță de bază, inclusiv următoarele:**

- Copiii trebuie supravegheați ca să NU se joace cu aparatul.
- Acest aparat nu este destinat utilizării de către persoanele (inclusiv copiii) cu capacități psihice, senzoriale și mentale reduse sau fără experiență și cunoștințe, decât dacă acestea sunt supravegheate sau instruite cu privire la utilizarea aparatului de către o persoană responsabilă pentru siguranța lor.
- Curățați coșul pentru prăjire și vasul interior cu o lavetă umedă, cu săpun. Asigurați-vă că folosiți doar apă caldă cu săpun.
- NU curățați cu bureți abrazivi din metal. Piese pot rupe buretele și atinge părțile electrice, ceea ce duce la risc de electrocutare. Suprafața se va deteriora și ea.
- Uscați unitatea și toate părțile componente cu o lavetă moale înainte de depozitare sau utilizare.
- Dacă sunt pete pe coș sau pe vasul interior care sunt prea dificil de îndepărtat, lăsați-le la înmuiat în apă caldă timp de aproximativ 10 minute înainte de curățare.
- Coșul pentru prăjire și vasul interior pot fi spălate în mașina de spălat vase.
- NU umpleți în exces când gătiți. Umplerea excesivă poate cauza vătămări corporale sau daune materiale sau poate afecta utilizarea în siguranță a aparatului.
- NU utilizați ulei sau orice alt lichid în vasul interior.
- NU utilizați acest aparat pentru prăjire în ulei.
- Asigurați-vă că mâncarea este preparată și gătită corect, pentru a evita orice pericol pentru sănătate.
- Asigurați-vă că mâncarea nu intră în contact cu elementele de încălzire.

- 
- Asigurați-vă **MEREU** că aparatul este asamblat în mod corespunzător înainte de utilizare.
  - Următoarele materiale **NU** trebuie puse în friteuza cu aer cald: carton, plastic, hârtie sau orice altceva similar.
  - **NU** depozitați obiecte, altele decât accesoriile furnizate, în friteuză când nu este utilizată.
  - **NU** utilizați aparatul în alte scopuri decât cele pentru care a fost conceput.
  - **NU** utilizați la exterior.
  - Dacă sunt necesare sfaturi privind acest produs, contactați linia de asistență telefonică Sharp
  - Prindeți aparatul doar de mânerele corespunzătoare și folosiți mijloace de protecție împotriva căldurii, cum ar fi mănuși sau suporturi.
  - Citiți toate instrucțiunile pentru a vă asigura că sunteți familiarizat cu funcționarea acestei friteuze cu aer cald. **NU** atingeți suprafețele fierbinți și, când este posibil, folosiți mânerele și butoanele de comandă (în funcție de model).
  - Utilizarea de accesorii suplimentare nu este recomandată, întrucât poate cauza vătămări sau pericole.
  - Acest aparat este **EXCLUSIV PENTRU UZ CASNIC**.
  - Pentru a evita căderea vasului interior pe jos, așezați-l pe o suprafață stabilă înainte de a ridica coșul pentru prăjire.
  - La utilizare, asigurați-vă că mânerul este îndreptat spre dvs.
  - **ATENȚIE:** Marcajul  înseamnă că **SUPRAFEȚELE APARATULUI SUNT FIERBINȚI ÎN TIMPUL SAU DUPĂ UTILIZARE. NU** atingeți suprafețele fierbinți.
  - **NU** acoperiți fanta de admisie a aerului sau orificiul de evacuare a aerului în timpul funcționării unității. Acoperirea lor poate împiedica gătitul uniform și poate deteriora unitatea sau cauza supraîncălzirea acesteia.
  - **NU** atingeți accesoriile în timpul sau imediat după gătit.
  - Fiți extrem de atenți când în aparat sunt alimente fierbinți.

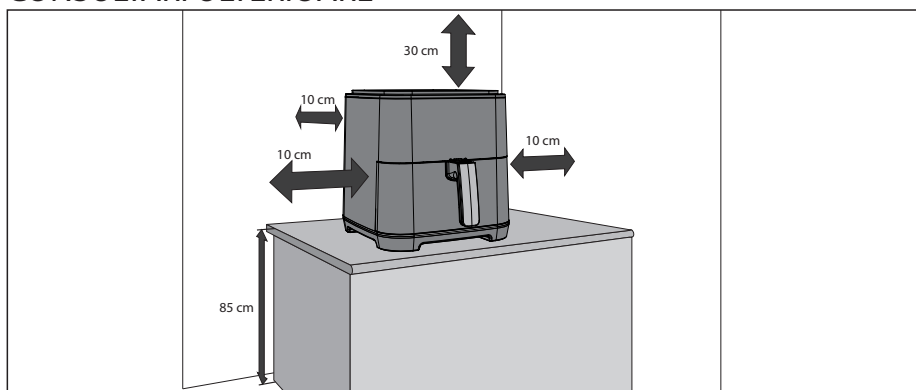
Utilizarea necorespunzătoare poate duce la vătămări corporale.

- După utilizare, lăsați unitatea să se răcească suficient de mult timp.
- Lăsați friteuza cu aer cald să se răcească înainte de curățare.
- **AVERTISMENT:** Întrucât această friteuză cu aer cald se încălzește în timpul utilizării și unele suprafețe pot ajunge la temperaturi înalte și întrucât oamenii percep temperaturile, acest dispozitiv trebuie utilizat cu grijă.
- Purtați mănuși de protecție izolatoare când atingeți suprafețele fierbinți sau coșul pentru prăjire cu aer fierbinte, vasul interior și alimentele.
- Când utilizați acest aparat, lăsați spațiu suficient deasupra și pe toate lateralele, pentru circulația aerului. Asigurați-vă **MEREU** că vasul interior este închis corespunzător înainte de utilizare.
- **NU** lăsați cablul de alimentare să atârne peste marginea suprafeței de lucru sau să atingă suprafețe fierbinți.
- **NU** utilizați aparatul dacă cablul de alimentare sau ștecherul sunt deteriorate în vreun fel sau după ce aparatul a funcționat defectuos sau a fost deteriorat în orice alt mod.
- **NU** înlocuiți sau modificați cablul de alimentare sau ștecherul.
- **NU** utilizați prelungitoare.
- Asigurați-vă că priza/întrerupătorul este accesibilă atunci când friteuza este în funcțiune.
- Această friteuză nu este destinată utilizării cu ajutorul unui temporizator extern sau cu un sistem separat de control de la distanță.
- Deconectați-o de la sursa de alimentare de la rețea atunci când nu este utilizată sau înainte de curățare.
- Când deconectați cablul de alimentare de la rețea, țineți mereu de ștecher și nu trageți niciodată de cablu.
- Când ați terminat de utilizat friteuza cu aer cald, apăsați

butonul STOP/CANCEL pentru a reveni la modul standby, apoi deconectați-o de la sursa de alimentare de la rețea.

- Pentru a vă proteja împotriva riscului de electrocutare, NU scufundați friteuza în apă sau în alte lichide.
- NU acoperiți nicio parte a friteuzei cu aer cald în timpul funcționării, întrucât acest lucru va duce la supraîncălzire.
- NU așezați friteuza cu aer cald pe suprafețe fierbinți, lângă arzătoare fierbinți cu gaz/electrice sau într-un cuptor încălzit.
- Când utilizați friteuza, lăsați un spațiu de cel puțin 100 mm pe toate părțile aparatului, pentru a permite circulația adecvată a aerului.

**PĂSTRAȚI ACESTE INSTRUCȚIUNI ÎNTR-UN LOC SIGUR, PENTRU CONSULTĂRI ULTERIOARE**



# SPECIFICAȚII

Denumire model	GS404A
Putere friteuză (W)	1300
Niveluri de temperatură ale friteuzei (Celsius)	De la 80°C la 200°C
8 programe automate	cartofi prăjiți, vită, legume, pui mic, bacon, pește, cartofi, pizza
2 funcții	Preîncălzire, Gătirea alimentelor congelate
Volum (litri)	4,0
Panou de comandă	Digital cu buton de comandă rotativ
Strat protector coș pentru prăjire	antiaderent
Dimensiune coș pentru prăjire (diametru x înălțime, în mm)	Ø190 x 50
Strat protector vas interior	antiaderent
Dimensiune vas interior (diametru x înălțime, în mm)	200 x 120
Lungime cablu de alimentare (mm)	900
Nivel de zgomot (dB)	55 - 62
Consum de energie (W)	1300
Cerințe privind tensiunea de alimentare	220-240 V 50 Hz
Consum de energie în standby (W)	<0.5
Dimensiune (L x l x A, în mm)	261 x 338 x 327
Greutate (kg)	4,5

Acest produs respectă reglementările și standardele relevante pentru Regatul Unit și UE.

DATORITĂ POLITICII DE ÎMBUNĂTĂȚIRE CONTINUĂ, NE REZERVĂM DREPTUL DE A MODIFICA DESIGNUL ȘI SPECIFICAȚIILE FĂRĂ NOTIFICARE PREALABILĂ.

# FRITEUZĂ CU AER CALD ȘI ACCESORII

**Trebuie să vă familiarizați cu următoarele funcții ale friteuzei cu aer cald înainte de prima utilizare:**

**Vasul interior:** Așezați coșul pentru prăjire pe vasul interior, iar apoi puneți vasul interior în friteuza cu aer cald.

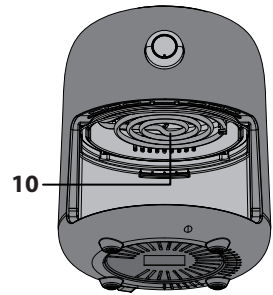
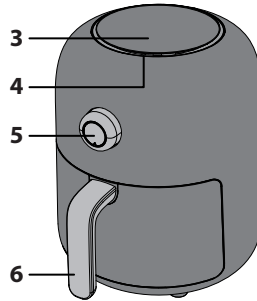
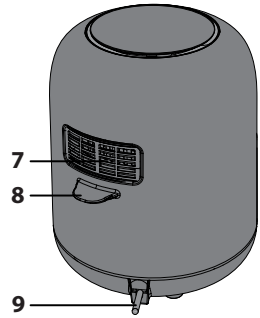
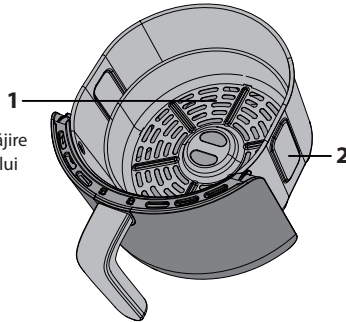
**Coșul pentru prăjire:** Așezați mâncarea în coșul pentru prăjire, iar apoi puneți-l în vasul interior pentru procesul de gătit.

**NOTĂ:** pentru a evita căderea vasului interior pe jos, așezați-l pe o suprafață stabilă înainte de a ridica coșul pentru prăjire.

**Orificiul de evacuare a aerului:** Aburi fierbinți vor fi eliberați prin orificiul de evacuare a aerului în timpul utilizării (ceea ce este normal), țineți mâinile și fața departe de orificiul de evacuare a aerului când gătiți pentru a preveni arsurile.

**Mânerul:** Acesta este folosit pentru a introduce sau scoate vasul interior și coșul pentru prăjire în/din friteuză.

1. Coș pentru prăjirea cu aer
2. Vas interior
3. Panou de comandă
4. Fantă de admisie a aerului
5. Buton rotativ
6. Mânerul coșului pentru prăjire
7. Orificiul de evacuare a aerului
8. Mâner manipulare friteuză
9. Cablu de alimentare
10. Element de încălzire



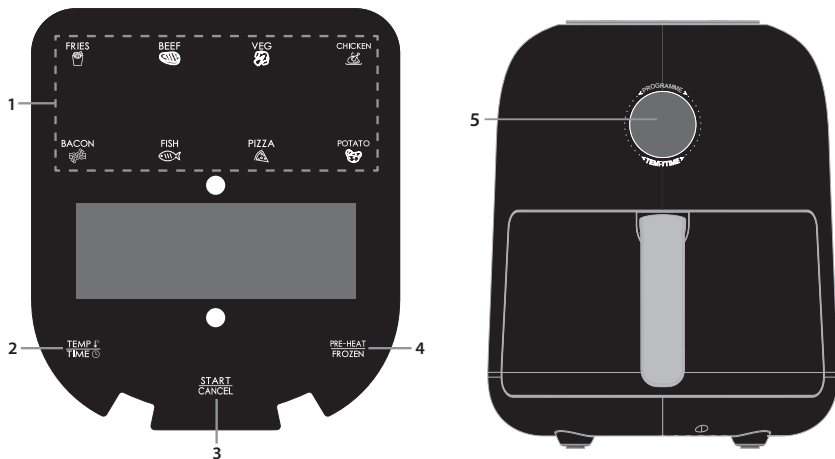
## DIRECȚIA FLUXULUI DE AER

În timpul gătirii, aerul cald de la element circulă conform imaginii de mai jos. Aceasta asigură gătirea uniformă a mâncării la temperatura și durata de timp setate. Nu utilizați materiale precum foliile de aluminiu, care pot bloca acest flux de aer, și nu umpleți excesiv coșul pentru prăjire.



## PANOUL DE COMANDĂ

- Butoanele de gătire automată** – Programe de gătire automată, selectați una din cele 8 opțiuni.
- Temperatură/Timp**– Folosiți acest buton pentru a controla manual temperatura și timpul.
- Start/Cancel** – Porniți funcționarea friteuzei cu aer cald sau anulați / interupeți funcționarea.
- Pre-Heat/Frozen** – Pentru preîncălzirea friteuzei cu aer cald, astfel încât să ajungă la temperatura adecvată pentru gătire, sau gătitul alimentelor congelate.
- Butonul rotativ** – Folositor pentru a regla timpul și temperatura.



## ÎNAINTE DE A UTILIZA FRITEUZA CU AER CALD

Înainte de prima utilizare a friteuzei cu aer cald, se recomandă ca, după despachetarea completă și îndepărtarea tuturor ambalajelor, vasul interior și coșul pentru prăjire să fie spălate în apă caldă cu săpun sau în mașina de spălat vase. Apoi uscați bine toate accesoriile și reasamblați friteuza cu aer cald. Ștergeți carcasa exterioară și componentele interioare cu o lavetă umedă și uscați înainte de utilizare.

Conectați-l la rețeaua de alimentare și setați aparatul pentru a găti cartofi prăjiți (nu introduceți niciun aliment în aparat). Acest lucru va porni aparatul la 180°C timp de 23 de minute, permițând disiparea oricărui reziduu care ar fi putut adera la elementul de încălzire în timpul fabricării.

Se recomandă citirea în integralitate a acestor instrucțiuni înainte de utilizare.

# INSTRUCȚIUNI PRIVIND FUNCȚIONAREA

## Friteuza cu aer cald are mai multe moduri de funcționare:

**Gătire automată** – selectați una din cele 8 opțiuni presetate de gătire.

**Gătirea alimentelor congelate** – Gătiți alimente congelate (doar legume, pizza și cartofi prăjiți).

**Preincălzire** – Asigurați-vă că friteuza este la temperatura adecvată înainte de gătire.

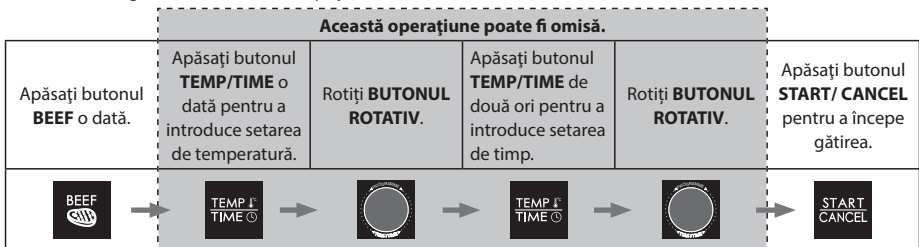
### Note privind gătirea

- Cantitatea de mâncare nu ar trebui să umple mai mult de 4/5 din volumul coșului pentru prăjire.
- Temperatura și timpul de gătire pot fi ajustate în timpul gătirii.
- Pentru a întrerupe gătitul, scoateți vasul interior din aparat; când îl introduceți înapoi, aparatul va porni automat.
- Pentru a anula gătirea, apăsați butonul „**START/CANCEL**” de două ori.
- Unele alimente vor trebui să fie amestecate/agitate în timpul gătitului: Scoateți vasul interior din unitate, amestecați/agitați după cum este necesar și apoi readuceți vasul interior în friteuză; friteuza cu aer va reporni automat.
- Asigurați-vă că mâncarea este gătită bine. Dacă aceasta nu s-a gătit suficient, puneți-o înapoi în friteuza cu aer cald și continuați gătirea.
- Pentru a evita căderea vasului interior pe jos, așezați-l pe o suprafață stabilă și rezistentă la căldură înainte de a ridica coșul pentru prăjire.
- Gătiți doar mâncare în friteuza cu aer cald.
- NU îl folosiți pentru prăjire în baie de ulei.

## Gătire automată

Pentru ușurința și confortul utilizatorilor, există 8 programe automate de gătit. Acestea sunt ușor de accesat prin intermediul butoanelor dedicate de pe panoul de control.

În exemplul de mai jos, se gătește vită. Nu este necesar să reglați temperatura sau timpul decât dacă vă doriți ca mâncarea să fie gătită mai mult sau mai puțin.



1. Așezați uniform mâncarea ce urmează să fie gătită în coșul pentru prăjire.
2. Așezați coșul pentru prăjire în vasul interior. Introduceți vasul interior în friteuza cu aer cald.
3. Conectați friteuza la sursa de alimentare.
4. Selectați programul pentru mâncarea dorită apăsând butonul de gătire automată de pe panoul de comandă. Temperatura și durata implicite vor clipi pe afișajul LED.
  - a. Dacă este nevoie, apăsați butonul „**TEMP/TIME**” o dată, iar apoi rotiți **BUTONUL ROTATIV** pentru a seta temperatura dorită pentru gătire.
  - b. Dacă este nevoie, apăsați butonul „**TEMP/TIME**” de două ori, iar apoi rotiți **BUTONUL ROTATIV** pentru a seta durata dorită pentru gătire.
5. Apăsați butonul „**START/CANCEL**” pentru a începe gătirea; timpul de gătire începe să curgă.
6. Când se finalizează procesul de gătire, friteuza emite un sunet și unitatea revine la modul standby.
7. Trageți cu grijă vasul interior și scoateți imediat mâncarea din coș, altfel căldura rămasă în friteuză va continua să gătească mâncarea și o va usca.

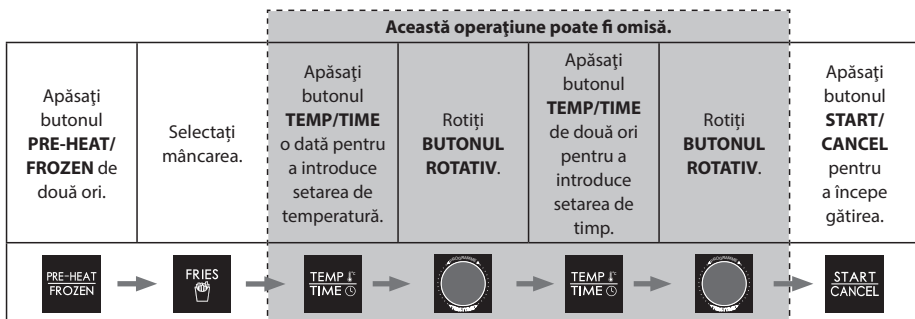
**Notă:** Dacă modificați timpul de gătire pentru mâncărurile cu gătire automată, puteți să-l prelungiți doar cu maxim 30%. Acest lucru este pentru a evita posibilitatea ca mâncarea să se ardă.



Aliment	Greutate	Temperatura inițială a mâncării	Tempul de gătire	Tempul suplimentar maxim	Întoarcere	Tempul pentru gătitul alimentelor congelate	Temperatura	Comentarii
Cartofi prăjiți	200 g - 500 g	Temperatura camerei	între 15 și 20	23	Da	26	180	Do not overload the pot.
Vită	150 g - 500 g		între 8 și 12	16	Da	-	200	Se pot găti până la 270 g de friptură de vită
Legume	100 g - 400 g		10	13	Da	14	190	Cut up vegetables into pieces 2 x 3cm.
Pui	800 g - 1000 g		30	39	Da	-	190	Pui întreg sau bucăți mari
Bacon	4 până la 6 felii		9	12	-	-	180	Așezați uniform felii de bacon în coșul pentru prăjire
Pește	100 g - 500 g		12	16	Da	-	200	Place fish pieces directly onto the base of the frying basket.
Cartof	250 g fiecare		40	52	Da	-	200	Așezați până la 3 cartofi a câte 250 g fiecare în coșul pentru prăjire
Pizza	100 g - 400 g		13	17	-	18	160	Place whole or pizza pieces directly in the frying basket.

## Gătirea alimentelor congelate

Pentru a găti alimente care sunt congelate, urmați instrucțiunile pentru gătit automat, însă apăsați butonul **"FROZEN"** întâi.



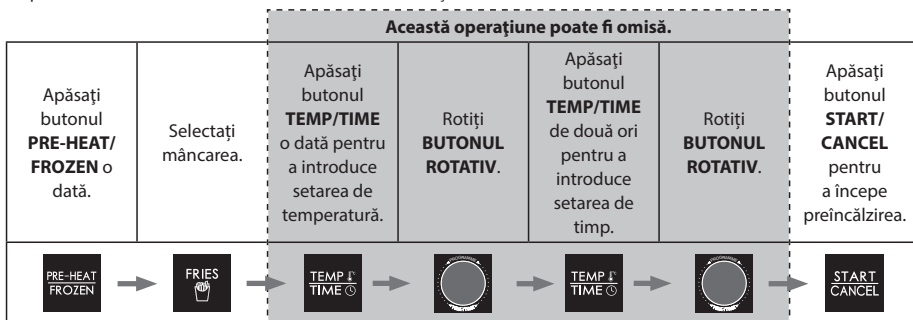
- Așezați uniform mâncarea ce urmează să fie gătită în coșul pentru prăjire.
- Așezați coșul pentru prăjire în vasul interior. Introduceți vasul interior în friteuza cu aer cald.
- Conectați friteuza la sursa de alimentare.
- Apăsați butonul „**PRE-HEAT/FROZEN**” de două ori.
- Selectați funcția dorită apăsând butonul aferent funcției de pe panoul de comandă. Temperatura și durata implicate vor clipi pe afișajul LED.
  - Dacă este nevoie, apăsați butonul „**TEMP/TIME**” o dată, iar apoi rotiți **BUTONUL ROTATIV** pentru a seta temperatura dorită pentru gătit.
  - Dacă este nevoie, apăsați butonul „**TEMP/TIME**” de două ori, iar apoi rotiți **BUTONUL ROTATIV** pentru a seta durata dorită pentru gătit.
- Apăsați butonul „**START/CANCEL**” o dată pentru a începe gătitul; timpul de gătit începe să curgă.
- Când se finalizează procesul de gătit, unitatea emite un sunet și revine la modul standby.
- Apăsați butonul de deschidere și trageți cu grijă de mânerul vasului interior și scoateți afară mâncarea.

Gătirea de alimente congelate este posibilă doar pentru **CARTOFI PRĂJIȚI**, **LEGUME** și **PIZZA**.

Pentru gătitul altor alimente congelate, consultați sfaturile privind gătitul manual.

## Preîncălzire

Pentru a vă asigura că friteuza este la temperatura adecvată pentru gătitul mâncării, aceasta are o funcție de preîncălzire, care poate fi folosită înainte de funcțiile de gătit automat și manual. Nu trebuie decât să apăsați butonul de preîncălzire o dată înainte de a selecta orice altă funcție.



1. Așezați coșul pentru prăjire în vasul interior. Introduceți vasul interior în friteuza cu aer cald.
2. Conectați friteuza la sursa de alimentare.
3. Apăsați butonul **PRE-HEAT/FROZEN** o dată.
4. Selectați programul pentru mâncarea dorită apăsând butonul de gătit automat relevant de pe panoul de comandă. Temperatura și durata implicite vor clipi pe afișajul LED.
  - a. Dacă este nevoie, apăsați butonul „**TEMP/TIME**” o dată, iar apoi rotiți **BUTONUL ROTATIV** pentru a seta temperatura dorită pentru gătit.
  - b. Dacă este nevoie, apăsați butonul „**TEMP/TIME**” de două ori, iar apoi rotiți **BUTONUL ROTATIV** pentru a seta durata dorită pentru gătit.
5. Apăsați butonul „**START/CANCEL**”.
6. Când unitatea a ajuns la temperatura de preîncălzire adecvată, va emite un sunet.
7. Scoateți vasul interior și așezați uniform mâncarea ce urmează să fie gătită în coșul pentru prăjire.
8. Puneți vasul interior/coșul pentru prăjire înapoi în friteuză.
9. Prăjitorul cu aer comprimat va porni automat și timpul va începe să scadă.
10. Când se finalizează procesul de gătit, unitatea emite un sunet și revine la modul standby.
11. Scoateți vasul interior și nu uitați să manipulați cu grijă și să scoateți imediat mâncarea din coșul de prăjire cu aer comprimat, altfel căldura rămasă în friteuză va continua să gătească și să usuce mâncarea.

## COMENZI BUTON ROTATIV

Butonul rotativ de comandă de pe friteuza cu aer cald are mai multe funcții, unele dintre ele sunt duplicate ale butoanelor de pe panoul de comandă.

Când friteuza cu aer cald este conectată la sursa de alimentare de la rețea, va intra în modul setare funcție și va afișa temperatura și timpul pentru primul program automat.

Pentru a selecta meniul automat dorit, rotiți butonul rotativ, iar apoi apăsați acest buton în centru pentru confirmare, odată ce clipește numele meniului dorit. Dacă temperatura și timpul indicate pe afișaj sunt potrivite, apăsați butonul **START/CANCEL** din partea de sus a panoului de comandă pentru a începe gătit.

Dacă este nevoie, puteți regla temperatura și timpul de gătit ale meniului selectat înainte de a apăsa butonul **START/CANCEL** pentru a începe gătit.

1. Apăsați butonul rotativ și afișajul temperaturii va începe să clipească.
2. Rotiți butonul rotativ pentru a seta temperatura de gătit dorită.
3. Apăsați butonul rotativ pentru a confirma setarea de temperatură. Acum, cifrele aferente timpului vor începe să clipească.
4. Rotiți butonul rotativ pentru a seta timpul de gătit dorit.
5. Apăsați butonul rotativ în centru pentru a începe procesul de gătit.

Pentru a anula gătit, apăsați butonul rotativ în centru.

## ÎNTREȚINERE ÎN TIMPUL UTILIZĂRII

Acest aparat are nevoie de foarte puțină întreținere când este utilizat. Curățați friteuza după fiecare utilizare pentru a-i prelungi durata de viață.

Această friteuză cu aer cald nu conține piese care pot fi reparate de utilizator. Nu încercați să o reparați singuri. În cazul puțin probabil al unei defecțiuni, contactați Call Centre-ul SHARP folosind detaliile de la începutul acestui manual de utilizare.

## INSTRUCȚIUNI DE CURĂȚARE

**ATENȚIE:** Pentru a vă proteja împotriva riscului de electrocutare, NU SCUFUNDAȚI FRITEUZA ÎN APĂ SAU ÎN ALTE LICHIDE.

Friteuza cu aer cald trebuie curățată în mod regulat pentru o performanță optimă și o durată de viață lungă. Curățarea regulată va reduce și riscul de incendiu. Pentru curățare urmați instrucțiunile de mai jos:

1. Scoateți ștecherul din priza electrică. Lăsați friteuza cu aer cald să se răcească.
2. Curățați coșul pentru prăjire și vasul interior cu o lavetă umedă, cu săpun. Asigurați-vă că folosiți doar apă caldă cu săpun. Dacă petele de pe coș sau vasul interior sunt prea dificil de îndepărtat, lăsați-le la înmuiat în apă caldă timp de aproximativ 10 minute.
3. Curățați elementele de încălzire cu o lavetă moale și uscată.
4. Ștergeți exteriorul friteuzei cu o lavetă moale și umedă, apoi cu una uscată.

**ATENȚIE:** NU UTILIZAȚI MATERIALE SAU PRODUSE DE CURĂȚARE ABRAZIVE pe suprafața coșului pentru prăjire și a vasului interior. Asigurați-vă că folosiți doar apă caldă cu săpun. Produsele de curățare abrazive, periele de frecat și produsele de curățare chimice vor deteriora învelișul protector al acestei unități.

În afara operațiunilor recomandate de curățare, nu mai sunt necesare alte operațiuni suplimentare de întreținere. Orice alte reparații trebuie efectuate de către un reprezentant de service autorizat.

## DEPOZITARE

Deconectați unitatea, lăsați-o să se răcească și curățați-o înainte de depozitare. Depozitați friteuza în cutia ei, într-un loc curat și uscat. Nu depozitați niciodată aparatul cât timp este încă fierbinte sau conectat la priză. Nu înfășurați niciodată cablul strâns în jurul friteuzei cu aer cald. Nu exercitați presiune asupra cablului în locul de intrare în unitate, întrucât ar putea duce la uzarea și ruperea cablului.

Dacă depozitați friteuza perioade îndelungate de timp, asigurați-vă că aceasta este curată și fără resturi de alimente. Depozitați-o într-un loc uscat, cum ar fi pe o masă sau un blat de lucru sau pe raftul dintr-un dulap.

## DEPANAREA

Dacă întâmpinați probleme cu friteuza, urmați îndrumările de mai jos.

Friteuza cu aer cald nu funcționează	Aparatul fie nu este conectat, fie nu este pornit	Asigurați-vă că ștecherul este introdus într-o priză electrică de perete și este pornit.
	Nu ați setat timpul sau temperatura.	Setați timpul și temperatura, iar apoi apăsați butonul „START/CANCEL”.
	Vasul interior nu este blocat corespunzător în unitate	Împingeți vasul interior în friteuza cu aer cald astfel încât să facă „click”.
Alimentele prăjite cu friteuza cu aer cald nu sunt făcute.	Este prea multă mâncare în coșul pentru prăjire.	Puneți porții mai mici de alimente în coșul pentru prăjire. Porțiile mai mici se prăjesc mai uniform.
	Temperatura setată este prea mică.	Reglați temperatura la setarea de temperatură care se impune.
	Timpul de gătire este prea scurt.	Reglați cronometrul la timpul de preparare care se impune.
Gustările prăjite nu sunt crocante când sunt scoase din friteuza.	Ați folosit un tip de gustare care este menită să fie preparată într-o friteuză tradițională, cu ulei.	Folosiți gustări făcute pentru a fi preparate la cuptor sau ungeți-le cu puțin ulei, pentru un rezultat mai crocant.
Este dificil sau nu este posibil ca vasul interior și coșul pentru prăjire să giseze în mod corespunzător în aparat.	Este prea multă mâncare în coșul pentru prăjire.	Nu umpleți excesiv coșul pentru prăjire.
	Coșul pentru prăjire nu este așezat corespunzător în vasul interior	Împingeți coșul pentru prăjire în jos în vasul interior până se aude un mic click.
Iese fum alb din aparat.	Preparați alimente grase.	Când prăjiți ingrediente grase în friteuza cu aer cald, o cantitate mare de ulei se va scurge în vas. Acest ulei poate genera fum alb și vasul se poate încălzi mai mult decât de obicei. Acest lucru nu afectează aparatul sau rezultatul final.
	Vasul încă mai conține resturi de grăsime de la utilizarea anterioară.	Fumul alb este cauzat de încălzirea grăsimii în vasul interior; asigurați-vă că curățați bine coșul pentru prăjire și vasul interior după fiecare utilizare.
Cartofii prăjiți proaspeți se prăjesc neuniform în friteuza cu aer cald.	Nu ați folosit un tip potrivit de cartof.	Utilizați cartofi proaspeți și asigurați-vă că nu se mișcă în timpul prăjirii.
	Nu ați clătit bine bastonașele de cartof înainte de a le prăji.	Clătiți bine bastonașele de cartof pentru a îndepărta amidonul din exteriorul lor.
Cartofii prăjiți proaspeți nu sunt crocanți când sunt scoși din friteuza.	Textura crocantă a cartofilor prăjiți depinde de cantitatea/tipul de ulei și de apă din cartofii prăjiți.	Asigurați-vă că uscați bine bastonașele de cartof înainte de a adăuga ulei.
		Tăiați cartofii în bastonașe mai subțiri pentru un rezultat mai crocant.
		Adăugați puțin mai mult ulei pentru un rezultat mai crocant.

În cazul în care încă mai întâmpinați probleme, contactați Call Centre-ul SHARP folosind detaliile de la începutul acestui manual de utilizare.



### Upozornenie:

Váš produkt je označený týmto symbolom.

Znamená, že použité elektrické a elektronické zariadenia sa nemôžu vhadzovať do domového odpadu. Musia sa vrátiť v súlade so systémom oddeleného zberu.



[www.sharpconsumer.com/contact/](http://www.sharpconsumer.com/contact/)



[www.sharpconsumer.com/support/](http://www.sharpconsumer.com/support/)



[www.sharpconsumer.com/documents-of-conformity/](http://www.sharpconsumer.com/documents-of-conformity/)

## A. Informácie o likvidácii pre používateľov (súkromné domácnosti)

### 1. V Európskej únii

Upozornenie: Pri likvidácii nevhadzujte toto zariadenie do bežného domového odpadu!

Použité elektrické a elektronické zariadenia sa musia zbierať oddelene a v súlade s legislatívou, ktorá nariaďuje správne zaobchádzanie, opätovné využitie a recykláciu použitých elektrických a elektronických zariadení. Po zavedení smernice v členských štátoch EÚ môžu súkromné domácnosti vracať svoje použité elektrické a elektronické zariadenia zadarmo v zberných miestach na to určených\*.

V niektorých krajinách\* môžete staré spotrebiče zdarma vrátiť aj u predajcu, keď si kúpite porovnateľné nové zariadenie.

\*) O ďalších podrobnostiach sa informujte na vašom obecnom úrade.

Ak vaše použité elektrické a elektronické zariadenia obsahujú batérie alebo akumulátory, mali by byť vopred vybraté a likvidované oddelene podľa miestne platných nariadení. Riadnou likvidáciou prispějete k náležitému zberu, spracovaniu, opätovnému využitiu a recyklácii odpadových zariadení. Zabraňuje sa tak možným škodlivým vplyvom na životné prostredie a zdravie v dôsledku nevhodnej likvidácie.

### 2. V iných krajinách mimo EÚ

Ak chcete tento výrobok zlikvidovať, informujte sa prosím u vašej obecnej správy na správny postup pri likvidácii tohto zariadenia.

Pre Švajčiarsko: použité elektrické a elektronické zariadenia môžete zadarmo vrátiť obchodníkovi, i keď nekupujete nový produkt.

Zoznam ďalších zberných miest nájdete na internetových stránkach [www.swico.ch](http://www.swico.ch) alebo [www.sens.ch](http://www.sens.ch).

## B. Informácie o likvidácii pre podnikateľov

### 1. V Európskej únii

Ak ste tento produkt používali na podnikateľské účely a teraz ho chcete zlikvidovať:

Obráťte sa na svojho predajcu produktov SHARP, ktorý vás informuje o vrátení produktu. Možno budete musieť niesť náklady za vrátenie a recykláciu. Malé produkty (v malom množstve) môžu byť možno odovzdané vo vašom miestnom zbernom mieste.

Pre Španielsko: ohľadom vrátenia vašich použitých výrobkov sa informujte na zavedený systém zberu u svojej obecnej správy.

### 2. V iných krajinách mimo EÚ

Ak chcete tento výrobok zlikvidovať, informujte sa prosím u vašej obecnej správy na správny postup pri likvidácii tohto zariadenia.

---


# OBSAH

BEZPEČNOSTNÉ POKYNY .....	3
TECHNICKÉ ÚDAJE .....	7
TEPLOVZDUŠNÁ FRITÉZA A PRÍSLUŠENSTVO .....	8
OVLÁDACÍ PANEL .....	9
PRED POUŽITÍM TEPLOVZDUŠNEJ FRITÉZY .....	9
NÁVOD NA OBSLUHU .....	10
Automatické varenie .....	10
Varenie z mrazených potravín .....	11
Predohrev .....	12
OTOČNÉ OVLÁDANIE .....	13
ÚDRŽBA POČAS POUŽÍVANIA .....	13
POKYNY NA ČISTENIE .....	13
SKLADOVANIE .....	13
RIEŠENIE PROBLÉMOV .....	14

## BEZPEČNOSTNÉ POKYNY

### **Pri používaní elektrického zariadenia by ste mali dodržiavať základné bezpečnostné opatrenia, mimo iné:**

- Na deti treba dohliadať, aby sa zaručilo, že sa so zariadením NEBUDÚ HRAŤ.
- Tento prístroj nie je určený na použitie osobami (vrátane detí) so zníženými fyzickými, zmyslovými alebo mentálnymi schopnosťami alebo nedostatkom skúseností a znalostí, pokiaľ na nich nedohliada osoba zodpovedná za ich bezpečnosť, alebo ak im táto osoba nedala pokyny ohľadom používania.
- Kôš a vnútorný hrniec teplovzdušnej fritézy vyčistíte vlhkou mydlovou handričkou. Používajte len jemnú mydlovú vodu.
- NEČISTITE kovovými abrazívnymi špongiami. Zo špongie sa môžu odlomiť kúsky a dotknúť sa elektrických častí, čím vzniká riziko úrazu elektrickým prúdom. Takisto dôjde k poškodeniu povrchu.
- Pred uskladnením alebo použitím vysušte jednotku a všetky montážne prvky mäkkou tkaninou.
- Ak sú na koši alebo vnútornom hrnci škvrny, ktoré sa príliš ťažko čistia, nechajte ich pred čistením asi 10 minút namočené v teplej vode.
- Kôš a vnútorný hrniec fritézy môžete umývať v umývačke riadu.
- Pri varení NEPREPLŇAJTE. Preplnenie môže spôsobiť zranenie osôb alebo poškodenie majetku alebo ovplyvniť bezpečné používanie spotrebiča.
- Do vnútorného hrnca NEDÁVAJTE olej ani žiadnu inú tekutinu.
- Tento spotrebič NEPOUŽÍVAJTE na vyprážanie.
- Dbajte na správnu prípravu a tepelnú úpravu potravín, aby nedošlo k ohrozeniu zdravia.
- Zabráňte kontaktu potravín s vykurovacími telesami.

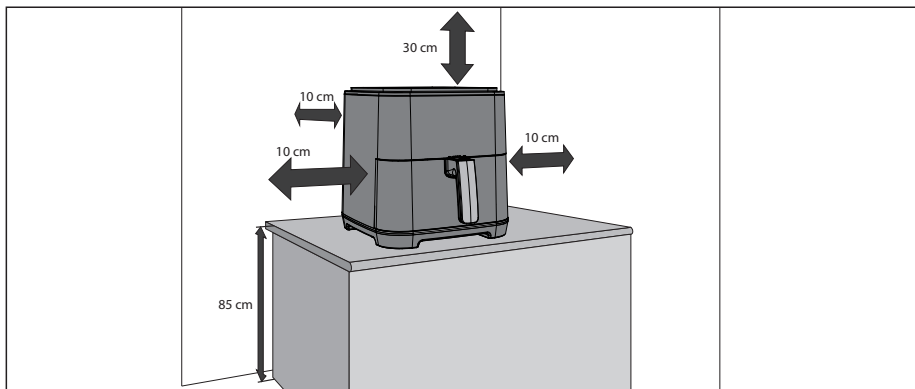
- 
- Pred použitím sa VŽDY uistite, že je spotrebič správne zostavený.
  - Do teplovzdušnej fritézy NEUMIESTŇUJTE žiadne z nasledujúcich materiálov: kartón, plast, papier ani nič podobné.
  - Keď sa teplovzdušná fritéza nepoužíva, NESKLADUJTE v nej žiadne materiály okrem dodaného príslušenstva.
  - Zariadenie NEPOUŽÍVAJTE na nič iné než na čo je určené.
  - NEPOUŽÍVAJTE vonku.
  - Ak v súvislosti s týmto výrobkom potrebujete akúkoľvek radu, obráťte sa na linku pomoci spoločnosti Sharp
  - Spotrebič držte len za správne rukoväť a používajte opatrenia na ochranu pred teplom, ako sú rukavice alebo chňapky.
  - Prečítajte si všetky tieto pokyny, aby ste sa uistili, že ste sa oboznámili s obsluhou tejto teplovzdušnej fritézy. NEDOTÝKAJTE sa horúcich povrchov, ak je to možné, použite rukoväť alebo ovládacie prvky (v závislosti od modelu).
  - Používanie prídavných zariadení sa neodporúča, pretože to môže spôsobiť nebezpečenstvo alebo zranenie.
  - Toto zariadenie je určené LEN NA POUŽITIE V DOMÁCNOSTI.
  - Aby ste zabránili pádu vnútorného hrnca na zem, položte ho pred zdvihnutím koša teplovzdušnej fritézy na stabilný povrch.
  - Pri používaní dbajte na to, aby rukoväť smerovala k vám.
  - UPOZORNENIE: Značka  znamená, že POVRCHY ZARIADENIA SÚ HORÚCE PRI POUŽITÍ ALEBO PO POUŽITÍ. NEDOTÝKAJTE sa horúcich povrchov.
  - Počas prevádzky zariadenia NEZAKRÝVAJTE vetrací otvor na prívod vzduchu ani vetrací otvor na odvod vzduchu. Zabráni sa tým rovnomernému vareniu a môže dôjsť k poškodeniu zariadenia alebo jeho prehriatiu.



- Počas varenia alebo bezprostredne po ňom sa **NEDOTÝKAJTE** príslušenstva.
- Ak sa v zariadení nachádzajú horúce potraviny, je potrebné postupovať mimoriadne opatrne. Nesprávne používanie môže mať za následok poranenie osôb.
- Po použití nechajte zariadenie, aby malo dostatok času na vychladnutie.
- Pred čistením nechajte teplovzdušnú fritézu vychladnúť.
- **VÝSTRAHA:** Keďže sa táto teplovzdušná fritéza počas používania zahrieva a na niektorých povrchoch sa môžu vytvoriť vysoké teploty, toto zariadenie by sa malo používať opatrne, keďže ľudia sú citliví na teploty.
- Pri dotyku horúcich povrchov alebo horúceho koša, vnútorného hrnca a potravín v teplovzdušnej fritéze používajte ochranné izolované rukavice.
- Pri používaní tohto zariadenia zabezpečte na cirkuláciu vzduchu dostatočný priestor nad ním a na všetkých stranách. **VŽDY** sa uistite, že je vnútorný hrniec pred použitím riadne uzavretý.
- **NEDOVOLTE**, aby napájací kábel visel cez okraj pracovnej plochy alebo sa dotýkal horúcich povrchov.
- **NEPOUŽÍVAJTE** zariadenie, ak je sieťový kábel alebo zástrčka akýmkoľvek spôsobom poškodená alebo ak zariadenie nefunguje správne alebo bolo inak poškodené.
- **NEVYMIEŇAJTE** ani neupravujte sieťový kábel ani zástrčku.
- **NEPOUŽÍVAJTE** predlžovací kábel.
- Keď sa teplovzdušná fritéza používa, uistite sa, že sú sieťová zásuvka a vypínač prístupné.
- Táto teplovzdušná fritéza nie je určená na použitie s externým časovačom ani systémom diaľkového ovládania.
- Ak sa zariadenie nepoužíva alebo pred jeho čistením ho odpojte od elektrickej siete.
- Pri odpojovaní zástrčky od elektrickej siete vždy držte zástrčku, nikdy neťahajte za kábel.

- Keď ste prestali teplovzdušnú fritézu používať, stlačením tlačidla STOP/ZRUŠIŤ sa vráťte do pohotovostného režimu a potom ju odpojte od elektrickej siete.
- Na ochranu pred úrazom elektrickým prúdom **NEPONÁRAJTE** teplovzdušnú fritézu do vody ani iných kvapalín.
- Počas prevádzky **NEZAKRÝVAJTE** žiadnu časť teplovzdušnej fritézy, pretože by došlo k jej prehriatiu.
- Teplovzdušnú fritézu **NEUMIESTŇUJTE** na horúce povrchy, do blízkosti horúcich plynových/elektrických horákov ani do vyhrievanej rúry.
- Pri prevádzke teplovzdušnej fritézy zachovajte na všetkých stranách priestor aspoň 100 mm, aby bola zabezpečená dostatočná cirkulácia vzduchu.

**USCHOVAJTE TIETO POKYNY NA BEZPEČNOM MIESTE PRE BUDÚCE POUŽITIE**



## TECHNICKÉ ÚDAJE

Názov modelu	GS404A
Výkon teplovzdušnej fritézy (W)	1300
Úroveň teploty teplovzdušnej fritézy (v stupňoch Celzia)	80 °C až 200 °C
8 automatických programov	Hranolčeky, hovädzie mäso, zelenina, malé kurča, slanina, ryby, zemiaky, pizza
2 funkcie	Predohrev, varenie z mrazených potravín
Kapacita (v litroch)	4,0
Ovládací panel	Digitálny s otočným ovládaním
Povrchová úprava fritovacieho koša	Nepriľnavý povrch
Veľkosť fritovacieho koša (priemer x výška v mm)	Ø190 x 50
Povrchová úprava vnútorného hrnca	Nepriľnavý povrch
Veľkosť vnútorného hrnca (priemer x výška v mm)	200 x 120
Dĺžka sietového kábla (v mm)	900
Úroveň hlučnosti (dB)	55 – 62
Spotreba (W)	1300
Požiadavky na napájanie	220 – 240 V 50 Hz
Spotreba v pohotovostnom režime (W)	<0.5
Veľkosť (Š x V x H v mm)	261 x 338 x 327
Hmotnosť (kg)	4,5

Tento výrobok je v súlade s príslušnými predpismi a normami pre Spojené kráľovstvo a EÚ.

TECHNICKÉ ÚDAJE MÔŽU BYŤ KEDYKOLVEK ZMENENÉ BEZ UVEDENIA DŮVODOV, ABY MOHOL BYŤ ZOHLADŇOVANÝ TECHNICKÝ POKROK.

# TEPLOVZDUŠNÁ FRITÉZA A PRÍSLUŠENSTVO

**Pred prvým použitím sa oboznámte s nasledujúcimi funkciami a príslušenstvom teplovzdušnej fritézy:**

**Vnútrotný hrniec:** Na vnútrotný hrniec umiestnite fritovací kôš a potom vložte vnútrotný hrniec do teplovzdušnej fritézy.

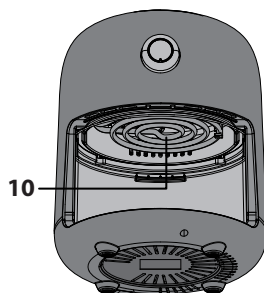
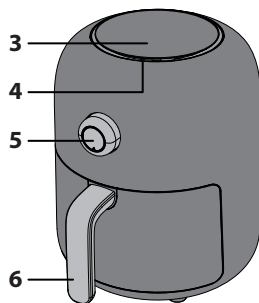
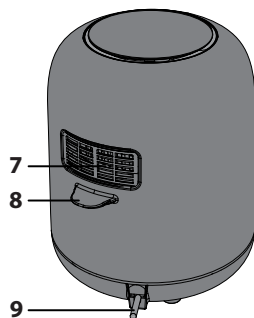
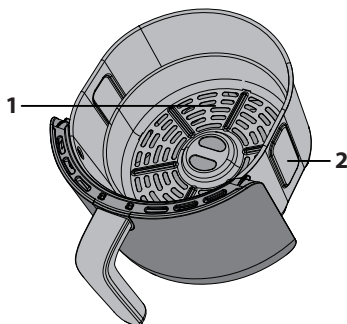
**Fritovací kôš:** Vložte jedlo do fritovacieho koša a potom vložte fritovací kôš do vnútrotného hrnca na varenie.

**POZNÁMKA:** Aby ste zabránili pádu vnútrotného hrnca na zem, položte ho pred zdvihnutím fritovacieho koša na stabilný povrch.

**Odvod vzduchu:** Počas používania bude z odvodu vzduchu vychádzať horúca para (je to normálne), pri varení držte ruky a tvár mimo odvodu vzduchu, aby ste sa neoparili.

**Držadlo:** Používa sa na premiestňovanie vnútrotného hrnca a fritovacieho koša do teplovzdušnej fritézy a z nej.

1. Kôš teplovzdušnej fritézy
2. Vnútrotný hrniec
3. Ovládací panel
4. Prívod vzduchu
5. Otočný volič
6. Rukoväť fritovacieho koša
7. Odvod vzduchu
8. Držadlo
9. Sieťový kábel
10. Ohrevné teleso



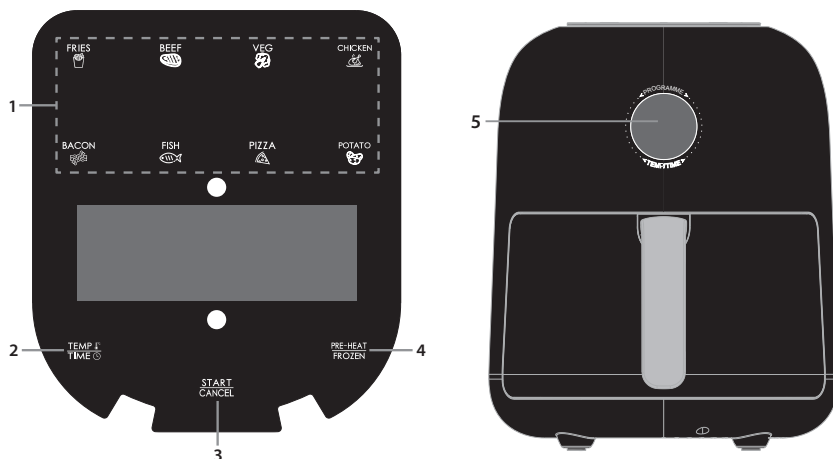
## SMER PRÚDENIA VZDUCHU

Pri varení sa horúci vzduch z ohrevného telesa pohybuje tak, ako je to znázornené na obrázku nižšie. Tým sa zabezpečí rovnomerné varenie jedla pri nastavenej teplote a v nastavenom čase. Nepoužívajte žiadne materiály, ako je kovová fólia, ktoré by mohli brániť tomuto prúdeniu vzduchu alebo nadmerne naplniť fritovací kôš.



## OVLÁDACÍ PANEL

- 1. Tlačidlá automatického varenia** – automatické programy varenia, vyberte si z 8 možností.
- 2. Teplota/čas** – toto tlačidlo slúži na manuálne ovládanie teploty a času.
- 3. Štart/zrušiť** – spustenie prevádzky teplovzdušnej fritézy alebo jej zrušenie/pozastavenie.
- 4. Predohrev/mrazené** – na predhriatie teplovzdušnej fritézy na správnu teplotu varenia alebo na varenie z mrazených potravín.
- 5. Otočné ovládanie** – slúži na nastavenie času a teploty.



## PRED POUŽITÍM TEPELVZDUŠNEJ FRITÉZY

Pred prvým použitím teplovzdušnej fritézy sa odporúča po úplnom vybalení a odstránení všetkých obalov vyčistiť vnútorný hrniec a fritovací kôš v horúcej mydlovej vode alebo v umývačke riadu. Potom dôkladne vysušte všetko príslušenstvo a znovu ho zostavte do teplovzdušnej fritézy. Pred použitím utrite vonkajšie telo a vnútorné časti vlhkou handričkou a osušte.

Zapojte prístroj do elektrickej siete a nastavte ho na prípravu hranolčekov (do prístroja nekladajte žiadne potraviny). Tým sa zariadenie zapne na teplotu 180 °C na 23 minút, aby sa rozptýlili všetky zvyšky, ktoré sa mohli počas výroby prilepiť na vykurovacie teleso.

Pred použitím sa odporúča prečítať si tieto pokyny.

# NÁVOD NA OBSLUHU

Vaša teplovzdušná fritéza má niekoľko režimov prevádzky:

**Automatické varenie** – vyberte jednu z 8 predprogramovaných možností varenia.

**Varenie z mrazených potravín** – pripravujte jedlo zo zmrazených potravín (len zeleninu, pizzu a hranolčky).

**Predohrev** – pred varením sa uistite, že je teplota teplovzdušnej fritézy správna.

## Poznámky k vareniu

- Množstvo potravín by nemalo zaplniť viac ako 4/5 celkového objemu koša teplovzdušnej fritézy.
- Teplotu a čas varenia môžete počas varenia upravovať.
- Ak chcete varenie pozastaviť, vytiahnite vnútorný hrniec zo zariadenia; po zasunutí späť sa zariadenie automaticky spustí.
- Ak chcete varenie zrušiť, dvakrát stlačte tlačidlo „**START/CANCEL**“ (STOP/ZRUŠIŤ).
- Niektoré potraviny je potrebné počas varenia miešať/triasť: V prípade potreby vytiahnite vnútorný hrniec z prístroja, premiešajte/vytriate a potom vráťte vnútorný hrniec do fritézy Air Fryer; fritéza Air Fryer sa automaticky reštartuje.
- Skontrolujte, či sa jedlo správne uvarilo. Ak je jedlo nedovarené, vráťte ho do fritézy a varte dlhšie.
- Aby ste zabránili pádu vnútorného hrnca na zem, položte ho pred zdvihnutím koša na stabilný a teplovzdorný povrch.
- V tejto teplovzdušnej fritéze pripravujte len potraviny.
- NEPOUŽÍVAJTE na vyprážanie.

## Automatické varenie

Pre vaše pohodlie a komfort je k dispozícii 8 automatických programov varenia. Tie sú ľahko prístupné pomocou špeciálnych tlačidiel na ovládacom paneli.

V nasledujúcom príklade sa varí hovädzie mäso. Teplotu ani čas nie je potrebné upravovať, pokiaľ nechcete, aby sa jedlo uvarilo viac alebo menej.



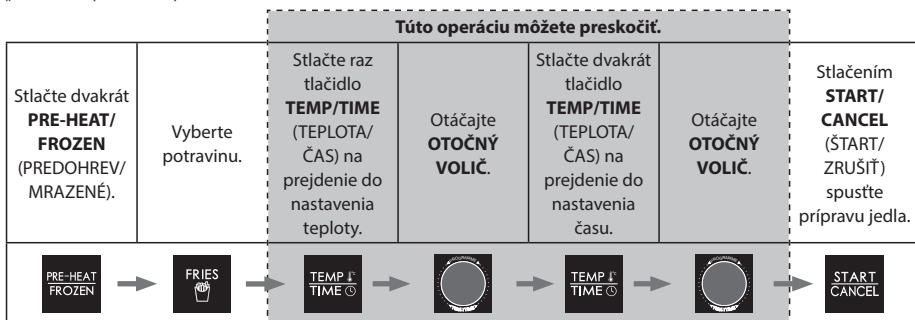
1. Rovnomerne umiestnite pripravované potraviny do fritovacieho koša.
2. Do vnútorného hrnca umiestnite fritovací kôš. Vložte vnútorný hrniec do teplovzdušnej fritézy.
3. Zapojte teplovzdušnú fritézu do elektrickej siete.
4. Stlačením tlačidla automatického varenia na ovládacom paneli vyberte požadované jedlo. Na LED displeji bude blikať predvolená teplota a čas.
  - a. V prípade potreby stlačte raz tlačidlo „**TEMP/TIME**“ (TEPLOTA/ČAS) a potom otočte **OTOČNÝM VOLIČOM** na nastavenie požadovanej teploty varenia.
  - b. V prípade potreby stlačte dvakrát tlačidlo „**TEMP/TIME**“ (TEPLOTA/ČAS) a potom otočte **OTOČNÝM VOLIČOM** na nastavenie požadovanej doby varenia.
5. Jedným stlačením tlačidla „**START/CANCEL**“ (ŠTART/ZRUŠIŤ) spustíte varenie; čas sa odpočítava.
6. Po dokončení varenia teplovzdušná fritéza vydá zvukový signál a zariadenie sa vráti do pohotovostného režimu.
7. Vnútorný hrniec opatrne vytiahnite a jedlo okamžite vyberte z fritovacieho koša, inak bude zvyšné teplo v teplovzdušnej fritéze naďalej pôsobiť a vysušovať vaše jedlo.

**Poznámka:** Ak meníte čas varenia pre potraviny s automatickým varením, je možné zvýšiť maximálny čas len o 30 %. Je to preto, aby sa predišlo možnému spáleniu potravín.

Jedlo	Hmotnosť	Počiatočná teplota potravín	Doba varenia	Maximálny dodatočný čas	Pretočenie	Čas varenia z mrazených potravín	Teplota	Komentáre
Hranolčeky	200 g až 500 g	Izbová teplota	15 až 20	23	Áno	26	180	Do not overload the pot.
Hovädzie	150 g až 500 g		8 až 12	16	Áno	-	200	Môžete pripraviť až 270 g hovädzieho steaku
Zelenina	100 g až 400 g		10	13	Áno	14	190	Cut up vegetables into pieces 2 x 3cm.
Kura	800 až 1000 g		30	39	Áno	-	190	Celé kurča alebo veľké kusy
Slanina	4 až 6 plátkov		9	12	-	-	180	Rovnomerne rozložte plátky slaniny do fritovacieho koša.
Ryba	100 g až 500 g		12	16	Áno	-	200	Place fish pieces directly onto the base of the frying basket.
Zemiak	Každý s hmotnosťou 250 g		40	52	Áno	-	200	Do fritovacieho koša vložte až 3 zemiaky, každý s hmotnosťou 250 g
Pizza	100 g až 400 g		13	17	-	18	160	Place whole or pizza pieces directly in the frying basket.

## Varenie z mrazených potravín

Ak chcete variť zo zmrazených potravín, postupujte podľa pokynov pre automatické varenie, ale najprv stlačte tlačidlo „**FROZEN**“ (MRAZENÉ).



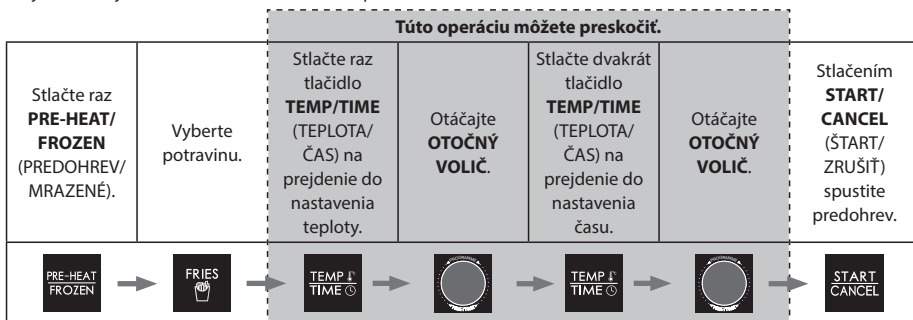
- Rovnomerne umiestnite pripravované potraviny do fritovacieho koša.
- Do vnútorného hrnca umiestnite fritovací kôš. Vložte vnútorný hrniec do teplovzdušnej fritízy.
- Zapojte teplovzdušnú fritízu do elektrickej siete.
- Stlačte dvakrát tlačidlo „**PRE-HEAT/FROZEN**“ (PREDOHREV/MRAZENÉ).
- Stlačením tlačidla funkcie na ovládacom paneli vyberte požadovanú funkciu. Na LED displeji bude blikať predvolená teplota a čas.
  - V prípade potreby stlačte raz tlačidlo „**TEMP/TIME**“ (TEPLOTA/ČAS) a potom otočte **OTOČNÝM VOLIČOM** na nastavenie požadovanej teploty varenia.
  - V prípade potreby stlačte dvakrát tlačidlo „**TEMP/TIME**“ (TEPLOTA/ČAS) a potom otočte **OTOČNÝM VOLIČOM** na nastavenie požadovanej doby varenia.
- Jedným stlačením tlačidla „**START/CANCEL**“ (ŠTART/ZRUŠIŤ) spustíte varenie; čas sa odpočítava.
- Po dokončení varenia zariadenie vydá zvukový signál a vráti sa do pohotovostného režimu.
- Stlačte tlačidlo otvorenia, opatrne vytiahnite za držadlo vnútorný hrniec a vyberte potraviny.

Varenie zo zmrazených potravín je možné len v prípade **hranolčekov, zeleniny a pizze**.

Ak chcete variť iné mrazené potraviny, prečítajte návod na varenie.

## Predohrev

Aby ste zaistili, že vaša teplovzdušná fritéza bude mať správnu teplotu na prípravu jedla, je k dispozícii funkcia predohrevu, ktorú možno použiť pred funkciami automatického varenia a manuálneho varenia. Pred výberom akejkoľvek inej funkcie stačí raz stlačiť tlačidlo predohrevu.



1. Do vnútorného hrnca umiestnite fritovací kôš. Vložte vnútorný hrniec do teplovzdušnej fritézy.
2. Zapojte teplovzdušnú fritézu do elektrickej siete.
3. Stlačte raz tlačidlo **PRE-HEAT/FROZEN** (PREDOHREV/MRAZENÉ).
4. Stlačením príslušného tlačidla automatického varenia na ovládacom paneli vyberte požadované jedlo. Na LED displeji bude blikať predvolená teplota a čas.
  - a. V prípade potreby stlačte raz tlačidlo „**TEMP/TIME**“ (TEPLOTA/ČAS) a otočte **OTOČNÝM VOLIČOM** na nastavenie požadovanej teploty varenia.
  - b. V prípade potreby stlačte dvakrát tlačidlo „**TEMP/TIME**“ (TEPLOTA/ČAS) a potom otočte **OTOČNÝM VOLIČOM** na nastavenie požadovanej doby varenia.
5. Stlačte tlačidlo „**START/CANCEL**“ (ŠTART/ZRUŠIŤ).
6. Keď zariadenie dosiahne správnu teplotu predohrevu, vydá zvukový signál.
7. Vyberte vnútorný hrniec a do fritovacieho koša rovnomerne umiestnite pripravované jedlo.
8. Vnútorný hrniec/fritovací kôš vráťte do teplovzdušnej fritézy.
9. Fritéza sa automaticky spustí a čas sa odpočítava.
10. Po dokončení varenia zariadenie vydá zvukový signál a vráti sa do pohotovostného režimu.
11. Vytiahnite vnútornú nádobu a nezabudnite s ňou zaobchádzať opatrne a jedlo ihneď vyberte z fritovacieho koša, inak bude zvyšné teplo vo fritéze pokračovať vo varení a vysušovať jedlo.



## OTOČNÉ OVLÁDANIE

Regulátor otočného ovládania na teplovzdušnej fritíze má niekoľko funkcií, pričom niektoré z nich kopírujú tlačidlá na ovládacom paneli.

Keď je teplovzdušná fritíza pripojená k elektrickej sieti, prejde do režimu nastavenia funkcií a zobrazí teplotu a čas prvý režim automatického programu.

Ak chcete vybrať požadované automatické menu, otočte regulátorom a po bliknutí názvu menu stlačte na potvrdenie stred regulátora. Ak vám teplota a čas zobrazené na displeji vyhovujú, stlačením tlačidla **START/CANCEL** (ŠTART/ZRUŠIŤ) na hornom ovládacom paneli spustíte prípravu jedla.

Ak je to potrebné, pred stlačením tlačidla **START/CANCEL** (ŠTART/ZRUŠIŤ) môžete nastaviť teplotu a čas prípravy jedla vybraného menu, aby ste začali prípravu jedla.

1. Stlačte regulátor a začne blikať zobrazenie teploty.
2. Otočením regulátora nastavte požadovanú teplotu varenia.
3. Stlačením regulátora potvrdíte nastavenie teploty. Potom budú blikať číslice času.
4. Otočením regulátora nastavte požadovanú dobu varenia.
5. Stlačením stred regulátora spustíte proces prípravy jedla.

Ak chcete prípravu jedla zrušiť, stlačte stred regulátora.

## ÚDRŽBA POČAS POUŽÍVANIA

Toto zariadenie si pri používaní nevyžaduje takmer žiadnu údržbu. Teplovzdušnú fritízu čistíte po každom použití, aby ste predĺžili jej životnosť.

Táto teplovzdušná fritíza neobsahuje žiadne časti, ktoré by mohol opravovať používateľ. Nepokúšajte sa ju opravovať sami. V nepravdepodobnom prípade poruchy sa obráťte na call centrum spoločnosti SHARP, pričom použite údaje uvedené na začiatku tohto návodu na použitie.

## POKYNY NA ČISTENIE

**UPOZORNENIE:** Na ochranu pred úrazom elektrickým prúdom NEPONÁRAJTE TEPLOVZDUŠNÚ FRITÍZU DO VODY ANI INÝCH KVAPALÍN.

Teplovzdušná fritíza by sa mala pravidelne čistiť, aby mala čo najlepší výkon a dlhú životnosť. Pravidelné čistenie tiež zníži riziko požiaru. Pri čistení postupujte podľa nižšie uvedených pokynov:

1. Vytiahnite sieťovú zástrčku z elektrickej zásuvky. Nechajte teplovzdušnú fritízu vychladnúť.
2. Kôš a vnútorný hrniec teplovzdušnej fritízy vyčistíte vlhkou mydlovou handričkou. Uistite sa, že používate len jemnú mydlovú vodu. Ak sa škvryny v koši alebo vnútornom hrnci čistia príliš ťažko, nechajte ich asi 10 minút namočené v teplej vode.
3. Ohrevné telesá čistíte suchou a mäkkou handričkou.
4. Vonkajšiu časť teplovzdušnej fritízy utrite mäkkou vlhkou handričkou a potom ju osušte.

**UPOZORNENIE:** Na povrch fritovacieho koša a vnútorného hrnca NEPOUŽÍVAJTE ABRAZÍVNE ČISTIACE PROSTRIEDKY ANI ŽIADNY ABRAZÍVNY MATERIÁL. Uistite sa, že používate len jemnú mydlovú vodu. Abrazívne čistiace prostriedky, drhnuté kedy a chemické čistiace prostriedky poškodia povrchovú úpravu tohto zariadenia.

Okrem odporúčaného čistenia by nemala byť potrebná žiadna ďalšia údržba používateľom. Všetky ostatné servisné úkony by mal vykonávať autorizovaný servisný zástupca.

## SKLADOVANIE

Pred uskladnením zariadenie odpojte od elektrickej siete, nechajte ho vychladnúť a vyčistite ho. Teplovzdušnú fritízu skladujte v škatuli na čistom a suchom mieste. Nikdy neskladujte zariadenie, keď je horúce alebo ešte zapojené do elektrickej siete. Nikdy neobtáčajte kábel tesne okolo teplovzdušnej fritízy. Nezaťažujte šnúru v mieste jej vstupu do zariadenia, pretože by mohlo dôjsť k jej rozstrapkaniu a pretrhnutiu.

Ak teplovzdušnú fritízu skladujete dlhší čas, uistite sa, že je teplovzdušná fritíza čistá a bez čiastočiek potravín. Teplovzdušnú fritízu skladujte na suchom mieste, napríklad na stole, pracovnej doske alebo na polici v skrini.

# RIEŠENIE PROBLÉMOV

Ak máte problémy s teplovzdušnou fritézou, postupujte podľa nasledujúcich pokynov.

Teplovzdušná fritéza nefunguje	Zariadenie nie je zapojené alebo zapnuté.	Skontrolujte, či je sieťová zástrčka zasunutá do elektrickej zásuvky a či je zapnutá.
	Nenastavili ste čas alebo teplotu.	Nastavte čas a teplotu a potom stlačte „ <b>START/ CANCEL</b> “ (ŠTART/ZRUŠIŤ).
	Vnútrotný hrniec nie je správne zaistený v zariadení	Zatlačte vnútrotný hrniec do teplovzdušnej fritézy tak, aby „zacvakol“.
Potraviny upravené v teplovzdušnej fritéze nie sú hotové.	Vo fritovačom koši je príliš veľa potravín.	Do fritovacieho koša vložte menšie dávky potravín. Menšie dávky sa tepelne upravujú rovnomernejšie.
	Nastavená teplota je príliš nízka.	Nastavte teplotu na požadované nastavenie.
	Čas varenia je príliš krátky.	Nastavte časovač na požadovaný čas prípravy.
Vyprážené občerstvenie nie je po vybratí z teplovzdušnej fritézy chrumkavé.	Použili ste typ občerstvenia určeného na prípravu v tradičnej fritéze.	Použite občerstvenie pripravené na pečenie v rúre alebo ho zľahka potrite olejom, aby bolo chrumkavejšie.
Vnútrotný hrniec a fritovací kôš je ťažké alebo nemožné správne zasunúť do zariadenia.	Vo fritovačom koši je príliš veľa potravín.	Fritovací kôš nepreplňujte.
	Fritovací kôš nie je správne vložený do vnútrotného hrnca	Zatlačte fritovací kôš do vnútrotného hrnca, kým nebudete počuť mierne cvaknutie.
Zo zariadenia vychádza biely dym.	Pripravujete masťné suroviny.	Pri vyprážení masťných surovín v teplovzdušnej fritéze uniká do hrnca veľké množstvo oleja. Tento olej môže spôsobiť tvorbu bieleho dymu a hrniec sa môže zahrievať viac ako zvyčajne. Nemá to vplyv na zariadenie ani na konečný výsledok.
	Hrniec stále obsahuje zvyšky tuku z predchádzajúceho používania.	Biely dym je spôsobený zahrievaním tuku vo vnútrotnom hrnci; po každom použití dôkladne vyčistite fritovací kôš a vnútrotný hrniec.
Čerstvé hranolčeky sa v teplovzdušnej fritéze smažia nerovnomerne.	Nepoužili ste správny typ zemiakov.	Použite čerstvé zemiaky a dbajte na to, aby počas tepelnej úpravy zostali pevné.
	Zemiakové hranolčeky ste pred vyprážením poriadne neopláchli.	Zemiakové hranolčeky dôkladne opláchnite, aby ste odstránili škrob z vonkajšej strany hranolčekov.
Čerstvé hranolčeky nie sú po vybratí z teplovzdušnej fritézy chrumkavé.	Chrumkavosť hranolčekov závisí od množstva/ typu oleja a vody v hranolčekoch.	Pred pridaním oleja sa uistite, že ste zemiakové hranolčeky riadne osušili.
		Zemiaky nakrájajte na tenšie hranolčeky, aby boli chrumkavejšie.
		Ak chcete dosiahnuť chrumkavejší výsledok, pridajte trochu viac oleja.

Ak máte stále problémy, obráťte sa na call centrum spoločnosti SHARP, pričom použite údaje uvedené na začiatku tohto návodu na použitie.



### **Pozor:**

Vaš izdelek je označen s tem simbolom.

Ta pomeni, da uporabljene električne in elektronske opreme ni dovoljeno mešati z običajnimi gospodinjstvi odpadki. Za te izdelke obstaja ločen sistem zbiranja.



[www.sharpconsumer.com/contact/](http://www.sharpconsumer.com/contact/)



[www.sharpconsumer.com/support/](http://www.sharpconsumer.com/support/)



[www.sharpconsumer.com/documents-of-conformity/](http://www.sharpconsumer.com/documents-of-conformity/)

## **A. Informacije o odlaganju za uporabnike (zasebna gospodinjstva)**

### **1. V Evropski uniji**

Pozor: Izdelka ne odlagajte v običajni zbiralnik za odpadke! Uporabljeno električno in elektronsko opremo je treba obravnavati ločeno in v skladu z zakonodajo, ki zahteva ustrezno obravnavanje, ponovno uporabo in recikliranje uporabljene električne in elektronske opreme. Zasebna gospodinjstva v EU lahko uporabljeno električno in elektronsko opremo brezplačno odložijo na označena zbirna mesta\*.

V nekaterih državah\* lahko star izdelek brezplačno prevzame tudi prodajalec, če kupite podoben nov izdelek.

\*) Za več informacij se obrnite na lokalno upravo.

Če so v vaši rabljeni električni ali elektronski opremi baterije, jih odlagajte ločeno in upoštevajte lokalne predpise.

S pravilnim odlaganjem izdelka boste pripomogli k pravilni obravnavi, obnovi in reciklaži odpadkov ter preprečili potencialne negativne učinke na okolje in človeško zdravje, ki bi se zaradi nepravilnega ravnanja z odpadki zagotovo pojavili.

### **2. V državah zunaj EU**

Če želite izdelek odvreči, se obrnite na lokalni upravni organ in se pozanimajte o pravilnem načinu odlaganja.

Za Švico: uporabljeno električno ali elektronsko opremo lahko brezplačno vrnete prodajalcu, tudi če ne kupite novega izdelka. Ostala zbirna mesta so navedena na spletni strani [www.swico.ch](http://www.swico.ch) ali [www.sens.ch](http://www.sens.ch).

## **B. Informacije o odlaganju za poslovne uporabnike**

### **1. V Evropski uniji**

Če izdelek uporabljate v poslovne namene in ga želite odvreči: Obrnite se na vašega prodajalca SHARP, ki vas bo obvestil o vračilu izdelka. Lahko pride do stroškov, ki izhajajo iz vračila in recikliranja izdelka. Majhne izdelke (in majhne količine) lahko sprejmejo vaša lokalna zbirna mesta. Za Španijo: za vračilo uporabljenih izdelkov se obrnite na uveljavljeni zbirni sistem ali lokalni upravni organ.

### **2. V državah zunaj EU**

Če želite izdelek odvreči, se obrnite na lokalni upravni organ in se pozanimajte o pravilnem načinu odlaganja.

---

# VSEBINA

VARNOSTNI NAPOTKI.....	3
SPECIFIKACIJE.....	6
CVRTNIK NA VROČ ZRAK IN PRIPOMOČKI .....	7
NADZORNA PLOŠČA .....	8
PRED UPORABO CVRTNIKA NA VROČ ZRAK .....	8
NAVODILA ZA DELOVANJE.....	9
Samodejno kuhanje .....	9
Kuhanje zamrznjene hrane .....	10
Predgretje.....	11
IZBIRNIK .....	12
VZDRŽEVANJE MED UPORABO .....	12
NAVODILA ZA ČIŠČENJE.....	12
SHRANJEVANJE .....	13
ODPRAVLJANJE NAPAK.....	13


## VARNOSTNI NAPOTKI

### **Pri uporabi električnih naprav morate upoštevati osnovne varnostne ukrepe skupaj s sledečim:**

- Otroke nadzorujte in tako zagotovite, da se z napravo NE bodo igrali.
- Aparat ni namenjen uporabi s strani oseb (vključno z otroki) z zmanjšanimi fizičnimi, senzoričnimi in duševnimi sposobnostmi, ali brez izkušenj in znanja, razen če jih je o uporabi poučila oseba, ki je odgovorna za njihovo varnost.
- Košaro za cvrtje z zrakom in notranjo posodo očistite z vlažno krpo z milnico. Uporabljajte le blago milnico.
- NE čistite s kovinskimi čistilnimi blazinicami, saj se lahko koščki odlomijo in pridejo v stik z električnimi deli ter ustvarijo nevarnost električnega udara, obenem pa poškodujejo površine.
- Pred shranjevanjem ali uporabo enoto in vse sklope posušite z mehko krpo.
- Če so na košari ali notranji posodi madeži, ki jih je težko očistiti, jih pred čiščenjem za približno 10 minut namočite v toplo vodo.
- Košaro za cvrtje in notranjo posodo lahko očistite v pomivalnem stroju.
- Med kuhanjem NE napolnite preveč. Prekomerno polnjenje lahko povzroči telesne poškodbe ali materialno škodo ali vpliva na varno uporabo aparata.
- V notranji posodi NE uporabljajte olja ali katere koli druge tekočine.
- Tega aparata NE uporabljajte za fritiranje.
- Zagotovite, da je hrana pravilno pripravljena in kuhana, da se prepreči kakršna koli nevarnost za zdravje.
- Preprečite stik živil z grelnimi elementi.
- Pred uporabo se VEDNO prepričajte, da je naprava pravilno sestavljena.
- V cvrtnik na vroč zrak NE vstavljajte naslednjih materialov:

---

kartona, plastike, papirja ali česa podobnega.

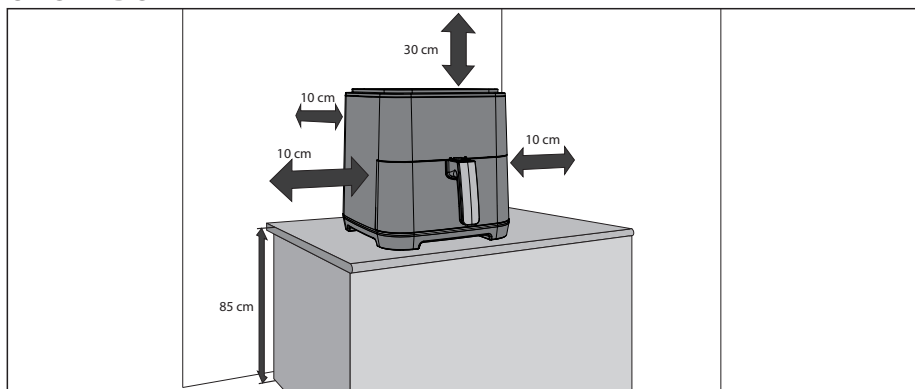
- Kadar ga ne uporabljate, v cvrtniku na vroč zrak NE shranjujte nobenega materiala, razen priložene dodatne opreme.
- Napravo uporabljajte SAMO za predviden namen.
- NE uporabljajte zunaj.
- Če v zvezi s tem izdelkom potrebujete kakršen koli nasvet, se obrnite na Sharpovo službo za pomoč uporabnikom.
- Napravo držite le za ustrezne ročaje in uporabljajte zaščito pred vročino, kot so rokavice ali prijemale.
- Preberite celotna navodila in se prepričajte, da ste seznanjeni z delovanjem tega cvrtnika na vroč zrak. NE dotikajte se vročih površin, če je mogoče, uporabite ročaje ali upravljalne elemente (odvisno od modela).
- Če uporabljate priključke za pripomočke, ki jih ne priporoča proizvajalec, lahko pride do poškodb.
- Ta izdelek je namenjen SAMO ZA GOSPODINJSKO UPORABO.
- Da notranja posoda ne bi padla na tla, jo postavite na stabilno površino, preden dvignete košaro za cvrtje z zrakom.
- Pri uporabi se prepričajte, da je ročaj obrnjen proti vam.
- POZOR: Oznaka  pomeni, da so POVRŠINE APARATA VROČE MED UPORABO ALI PO NJEJ. NE dotikajte se vročih površin.
- Med delovanjem naprave NE pokrivajte odprtine za dovod ali odvod zraka. S tem preprečite enakomerno kuhanje in lahko poškodujete enoto ali jo pregrejete.
- Med kuhanjem ali takoj po njem se NE dotikajte pripomočkov.
- Kadar je v aparatu vroča hrana, je treba ravnati skrajno previdno. Nepravilna uporaba lahko povzroči telesne poškodbe.
- Po uporabi napravo pustite dovolj časa, da se ohladi.
- Vaš cvrtnik na vroč zrak naj se pred čiščenjem ohladi.

- **OPOZORILO:** Ker se ta cvrtnik na vroč zrak med uporabo segreje, se lahko na nekaterih površinah razvijejo visoke temperature. Ker ljudje zaznavajo temperature, je treba to napravo uporabljati previdno.
- Nosite zaščitne izolirane rokavice pri dotikanju vročih površin ali košare za cvrtje z vročim zrakom, notranje posode in živil.
- Pri uporabi tega aparata zagotovite dovolj prostora za kroženje zraka nad njim in na vseh straneh. **VEDNO** se prepričajte, da je notranja posoda pred uporabo pravilno zaprta.
- **NE** dovolite, da bi napajalni kabel visel čez rob delovne površine ali se dotikal vročih površin.
- Naprave **NE** uporabljajte, če je napajalni kabel ali vtič kakor koli poškodovan ali če se naprava pokvari ali je kako drugače poškodovana.
- **NE** zamenjajte ali spreminjajte napajalnega kabla ali vtiča.
- **NE** uporabljajte podaljševalnega kabla.
- Zagotovite, da je električna vtičnica/stikalo dostopno, ko je cvrtnik na vroč zrak v uporabi.
- Ta cvrtnik na vroč zrak ni namenjen uporabi z zunanjim časovnikom ali ločenim sistemom daljinskega upravljanja.
- Ko aparata ne uporabljate, ali pa pred čiščenjem, ga izključite iz električnega omrežja.
- Ko odklapljate vtič iz električnega omrežja, vedno držite vtič in nikoli ne vlecite kabla.
- Ko prenehate uporabljati cvrtnik na vroč zrak, pritisnite gumb **STOP/CANCEL (ZAUSTAVITEV/PREMOR)** za vrnitev v stanje pripravljenosti in odklopite vtič iz električnega omrežja.
- Za zaščito pred električnim udarom **NE** potapljajte kabla, vtiča ali cvrtnika na vroč zrak v vodo ali druge tekočine.
- Med delovanjem **NE** pokrivajte nobenega dela cvrtnika na vroč zrak, saj se bo zaradi tega pregrel.
- Cvrtnika na vroč zrak **NE** postavljajte na vroče površine, v bližino vročih plinskih/električnih gorilnikov ali v ogreto

pečico.

- Ko uporabljate cvrtnik na vroč zrak, imejte na vseh straneh vsaj 100 mm prostora, da omogočite ustrezno kroženje zraka.

TA NAVODILA SHRANITE NA VARNEM MESTU ZA KASNEJŠO UPORABO



## SPECIFIKACIJE

Naziv modela	GS404A
Moč cvrtnika na vroč zrak (W)	1300
Ravni temperature cvrtnika na vroč zrak (v stop. Celzija)	od 80 °C do 200 °C
8 samodejnih programov	Ocvrt krompirček, govedina, zelenjava, majhen piščanec, slanina, ribe, krompir, pica
2 funkcije	Predgretje, Kuhanje zamrznjene hrane
Prostornina (v litrih)	4,0
Nadzorna plošča	Digitalni z vrtljivim upravljanjem
Prevleka košare za cvrtje	Nelepljiva
Velikost rešetke za žar (premer x višina v mm)	190 x 50
Prevleka notranje posode	Nelepljiva
Velikost notranje posode (premer x višina v mm)	200 x 120
Dolžina napajalnega kabla (mm)	900
Raven hrupa (dB)	55 - 62
Poraba energije (W)	1300
Zahteve za napajanje	220-240 V, 50 Hz
Poraba v načinu pripravljenosti (W)	<0.5
Velikost (Š x V x G) v mm	261 x 338 x 327
Teža (kg)	4,5

Ta izdelek je skladen z ustreznimi predpisi in standardi za Združeno kraljestvo in EU.

KER SI PRIZADEVAMO ZA NENEHNE IZBOLJŠAVE, SI PRIDRŽUJEMO PRAVICO, DA LAHKO BREZ PREDHODNEGA OPOZORILA SPREMENIMO ZASNOVO IN SPECIFIKACIJE.



## CVRTNIK NA VROČ ZRAK IN PRIPOMOČKI

**Pred prvo uporabo se seznanite z naslednjimi funkcijami cvrtnika na vroč zrak in pripomočki:**

**Notranja posoda:** Na notranjo posodo položite košaro za cvrtje, nato pa notranjo posodo položite v cvrtnik na vroč zrak.

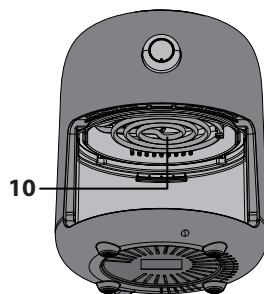
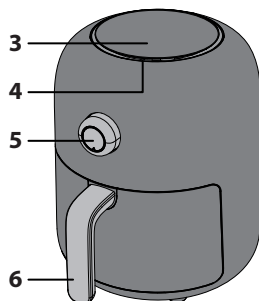
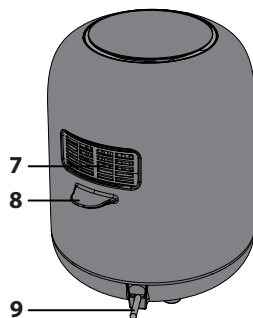
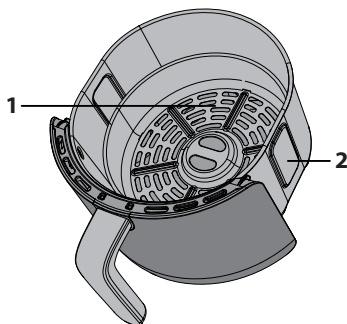
**Košara za cvrtje:** Vstavite hrano v košaro za cvrtje in nato košaro za cvrtje postavite v notranjo posodo.

**OPOMBA:** Da notranja posoda ne bi padla na tla, jo postavite na stabilno površino, preden dvignete košaro za cvrtje z zrakom.

**Odprtina za odvod zraka:** Med uporabo bo iz odvodne odprtine uhajala vroča para (to je normalno), zato med kuhanjem držite roke in obraz stran od odvodne odprtine, da se ne opečete.

**Ročaj:** Uporablja se za premikanje notranje posode in košare za cvrtje v in iz cvrtnika na vroč zrak.

1. Košara za cvrtje
2. Notranja posoda
3. Nadzorna plošča
4. Dovod zraka
5. Vrtljivi izbirnik
6. Ročaj košare za cvrtje
7. Odvodna odprtina za zrak
8. Ročaj za držanje
9. Napajalni kabel
10. Grelni element



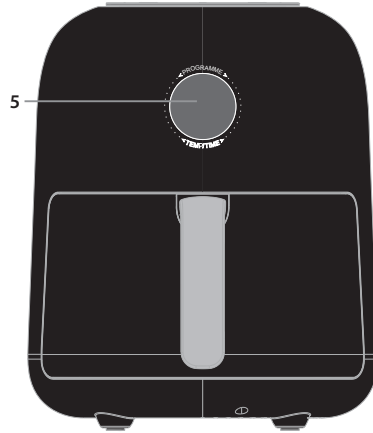
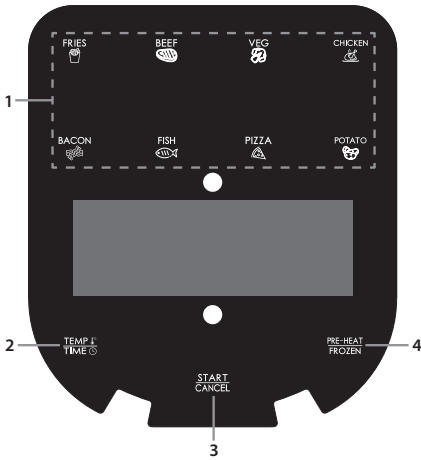
### USMERJANJE PRETOKA ZRAKA

Med kuhanjem se vroč zrak iz elementa premika, kot je prikazano na spodnji sliki. To zagotavlja enakomerno kuhanje hrane pri nastavljeni temperaturi in času. Ne uporabljajte materialov, kot je kovinska folija, ki bi lahko ovirali pretok zraka ali preveč napolnili košaro za cvrtje.



# NADZORNA PLOŠČA

1. **Gumbi za samodejno kuhanje** – Samodejni programi kuhanja, izbirajte med 8 možnostmi.
2. **Temperatura/čas** – S tem gumbom ročno nastavite temperaturo in čas.
3. **Zagon/preklic** – Začetek delovanja cvrtnika na vroč zrak ali prekinitev/premor.
4. **Predgretje/zamrznjeno** – Za predgrevanje cvrtnika na vroč zrak na ustrezno temperaturo kuhanja ali kuhanje zamrznjene hrane.
5. **Izbirnik** – Za nastavev časa in temperature.



## PRED UPORABO CVRTRNIKA NA VROČ ZRAK

Pred prvo uporabo cvrtnika na vroč zrak je priporočljivo, da notranjo posodo in košaro za cvrtje po tem, ko ste v celoti razpakirali in odstranili vso embalažo, očistite v vroči milnici ali v pomivalnem stroju. Nato temeljito posušite vse pripomočke in jih ponovno namestite v cvrtnik na vroč zrak. Zunanje ohišje in notranje dele pred uporabo obrišite z vlažno krpo in jih posušite.

Priključite napravo na električno omrežje in jo nastavite na pripravo krompirčka (v napravo ne vstavljajte nobene hrane). Naprava bo 23 minut delovala pri temperaturi 180 °C, da se razpršijo morebitni ostanki, ki so se med proizvodnjo prilepili na grelni element.

Pred uporabo je priporočljivo v celoti prebrati ta navodila.

# NAVODILA ZA DELOVANJE

Vaš cvrtnik na vroč zrak lahko uporabljate z več načini delovanja:

**Samodejno kuhanje** - izberite eno od 8 vnaprej programiranih možnosti kuhanja.

**Kuhanje zamrznjene hrane** – Kuhanje zamrznjene hrane (samo zelenjava, pica in krompirček).

**Predgretje** – Pred kuhanjem se prepričajte, da ima vaš cvrtnik na vroč zrak ustrezno temperaturo.

## Opombe o kuhanju

- Količina hrane ne sme biti večja od 4/5 celotne površine košare za cvrtje z zrakom.
- Temperaturo in čas kuhanja lahko prilagodite med kuhanjem.
- Če želite kuhanje prekiniti, potegnite notranji lonec iz enote; ko ga potisnete nazaj, se enota samodejno zažene.
- Za preklic kuhanja dvakrat pritisnite gumb »**START/CANCEL**«.
- Nekatera živila je treba med kuhanjem mešati/potresati: Vlecite notranjo posodo iz enote, po potrebi premešajte/potresite in nato notranjo posodo vrnite v Air Fryer; Air Fryer se bo samodejno ponovno zagnal.
- Prepričajte se, da je hrana ustrezno pripravljena. Če je hrana premalo kuhana, jo vrnite v cvrtnik in kuhajte dlje.
- Da notranja posoda ne bi padla na tla, jo postavite na stabilno površino, odporno proti vročini, preden dvignete košaro za cvrtje z zrakom.
- Hrano pripravljajte samo v tem cvrtniku na vroč zrak.
- NE uporabljajte za fritiranje v maščobi.

## Samodejno kuhanje

Za lažje in udobnejše kuhanje je na voljo 8 samodejnih programov. Do njih lahko enostavno dostopate z namenskimi gumbi na nadzorni plošči.

V spodnjem primeru se pripravlja govedina. Temperature ali časa ni treba prilagajati, razen če želite, da se hrana skuha bolj ali manj.



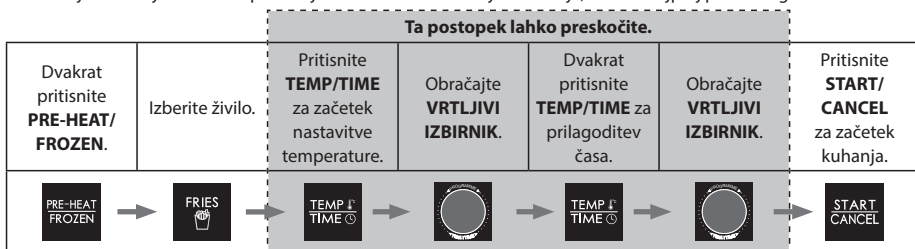
1. V košaro za cvrtje enakomerno položite hrano, ki jo želite skuhati.
2. Na notranjo posodo položite košaro za cvrtje, nato pa notranjo posodo položite v cvrtnik na vroč zrak.
3. Priključite cvrtnik na vroč zrak v napajanje.
4. S pritiskom na gumb za samodejno kuhanje na nadzorni plošči izberite zeleno živilo. Privzeta temperatura in čas bosta utripala na zaslonu LED.
  - a. Po potrebi pritisnite gumb »**TEMP/TIME**« in nato obračajte **VRTLJIVI IZBIRNIK**, da nastavite zeleno temperaturo kuhanja.
  - b. Po potrebi dvakrat pritisnite gumb »**TEMP/TIME**« in nato obračajte **VRTLJIVI IZBIRNIK**, da nastavite zeleno temperaturo kuhanja.
5. Pritisnite gumb »**START/CANCEL**« za začetek kuhanja; čas se začne odštevati.
6. Ko je kuhanje končano, se oglasi cvrtnik na vroč zrak in aparat se vrne v način pripravljenosti.
7. Pazljivo izvlecite notranjo posodo ter hrano takoj vzemite iz košare za cvrtje, sicer bo toplota, ki je ostala v cvrtniku na vroč zrak, še naprej kuhala in izsušila vašo hrano.

**Opomba:** Če spreminjate čas kuhanja za živila, ki se kuhajo samodejno, je mogoče maksimalni čas podaljšati le za 30 %. Tako se izognete možnosti, da bi se hrana zažgala.

Živilo	Teža	Začetna temperatura hrane	Čas kuhanja	Najdaljši dodatni čas	Obrnite	Čas za kuhanje zamrznjene hrane	Temperatura	Razlaga
Ocvrt krompirček	200 g do 500 g	Temperatura prostora	15 do 20	23	Da	26	180	Do not overload the pot.
Govedina	150 g do 500 g		8 do 12	16	Da	-	200	Pripravite lahko do 270 g govejega zrezka
zelenjave	100 g do 400 g		10	13	Da	14	190	Cut up vegetables into pieces 2 x 3cm.
Piščanec	800 g do 1000 g		30	39	Da	-	190	Celoten piščanec ali veliki kosj
Slanina	4 do 6 rezin		9	12	-	-	180	V košaro za cvrtje enakomerno razporedite rezine slanine.
Ribe	100 g do 500 g		12	16	Da	-	200	Place fish pieces directly onto the base of the frying basket.
Krompir	Po 250 g		40	52	Da	-	200	V košaro za cvrtje položite do 3 krompirje po 250 g.
Pica	100 g do 400 g		13	17	-	18	160	Place whole or pizza pieces directly in the frying basket.

## Kuhanje zamrznjene hrane

Za kuhanje zamrznjene hrane upoštevajte navodila za samodejno kuhanje, vendar najprej pritisnite gumb »FROZEN«.



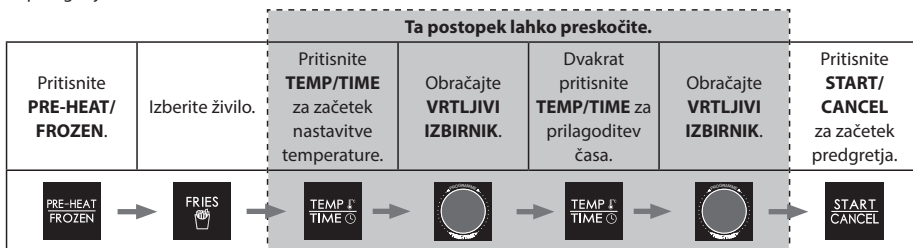
- V košaro za cvrtje enakomerno položite hrano, ki jo želite skuhati.
- Na notranjo posodo položite košaro za cvrtje, nato pa notranjo posodo položite v cvrtnik na vroč zrak.
- Priključite cvrtnik na vroč zrak v napajanje.
- Dvakrat pritisnite gumb »PRE-HEAT/FROZEN«.
- S pritiskom na gumb za funkcijo na nadzorni plošči izberite zeleno funkcijo. Privzeta temperatura in čas bosta utripala na zaslonu LED.
  - Po potrebi pritisnite gumb »TEMP/TIME« in nato obračajte **VRTLJIVI IZBIRNIK**, da nastavite zeleno temperaturo kuhanja.
  - Po potrebi dvakrat pritisnite gumb »TEMP/TIME« in nato obračajte **VRTLJIVI IZBIRNIK**, da nastavite zeleno temperaturo kuhanja.
- Pritisnite gumb »START/CANCEL« za začetek kuhanja; čas se začne odštevati.
- Ko je kuhanje končano, se naprava oglasi in se vrne v način pripravljenosti.
- Pritisnite gumb za odpiranje in previdno izvlecite ročaj notranje posode ter vzemite hrano ven.

Kuhanje zamrznjene hrane je mogoče samo za **KROMPIRČEK**, **ZELENJAVO** in **PICO**.

Za kuhanje drugih zamrznjenih živil glejte navodila za kuhanje v priročniku.

## Predgretje

Da poskrbite za pravilno temperaturo za pripravo hrane, je na voljo funkcija predgretja, ki jo lahko uporabite pred funkcijami samodejnega in ročnega kuhanja. Preden izberete katero koli drugo funkcijo, samo enkrat pritisnite gumb za predgretje.



1. Na notranjo posodo položite košaro za cvrtje, nato pa notranjo posodo položite v cvrtnik na vroč zrak.
2. Priključite cvrtnik na vroč zrak v napajanje.
3. Pritisnite gumb »**PRE-HEAT/FROZEN**«.
4. S pritiskom na gumb za samodejno kuhanje na nadzorni plošči izberite zeleno živilo. Privzeta temperatura in čas bosta utripala na zaslonu LED.
  - a. Po potrebi pritisnite gumb »**TEMP/TIME**« in nato obračajte **VRTLJIVI IZBIRNIK**, da nastavite zeleno temperaturo kuhanja.
  - b. Po potrebi dvakrat pritisnite gumb »**TEMP/TIME**« in nato obračajte **VRTLJIVI IZBIRNIK**, da nastavite zeleno temperaturo kuhanja.
5. Pritisnite gumb »**START/CANCEL**«.
6. Ko naprava doseže pravilno temperaturo predgretja, se oglasi.
7. Vzemite notranjo posodo in enakomerno položite hrano, ki jo želite skuhati, v košaro za cvrtje.
8. Vrnite notranjo posodo/košaro za cvrtje v cvrtnik na vroč zrak.
9. Zračni cvrtnik se bo samodejno zagnal in čas se bo odšteval.
10. Ko je kuhanje končano, se naprava oglasi in se vrne v način pripravljenosti.
11. Izvlecite notranjo posodo in ne pozabite previdno ravnanj z živili ter jih takoj vzemite iz košare za cvrtje na zraku, sicer bo toplota, ki ostane v cvrtniku na zraku, še naprej kuhala in izsuševala hrano.

## IZBIRNIK

Izbirnik za upravljanje cvrtnika na vroč zrak ima več funkcij, nekatere so enake kot gumbi na nadzorni plošči.

Ko je cvrtnik na vroč zrak priključen v električno omrežje, preide v način nastavljanja funkcij ter prikaže temperaturo in čas za prvi način samodejnega programa.

Če želite izbrati zeleni meni avtomatskega kuhanja, obrnite gumb, nato pa pritisnite sredino gumba za potrditev, ko ime menija utripa. Če sta temperatura in čas, prikazana na zaslonu, ustrezna, pritisnite gumb START/CANCEL na zgornji nadzorni plošči, da začnete kuhati.

Po potrebi lahko prilagodite temperaturo in čas kuhanja izbranega menija, preden pritisnete gumb START/CANCEL za začetek kuhanja.

1. Pritisnite gumb in prikaz temperature bo začel utripati.
2. Z vrtenjem gumba nastavite zeleno temperaturo kuhanja.
3. Za potrditev nastavitve temperature pritisnite gumb. Številke časa bodo zdaj utripale.
4. Z vrtenjem gumba nastavite zeleni čas kuhanja.
5. Pritisnite sredino gumba, da začnete kuhanje.

Če želite preklicati kuhanje, pritisnite sredino gumba.

## VZDRŽEVANJE MED UPORABO

Ta aparat med uporabo ne potrebuje veliko vzdrževanja. Po vsaki uporabi očistite cvrtnik na vroč zrak, da podaljšate njegovo življenjsko dobo.

Ta cvrtnik na vroč zrak ne vsebuje delov, ki bi jih lahko uporabnik popravil. Ne poskušajte ga popraviti sami. V malo verjetnem primeru okvare se obrnite na ključni center SHARP in uporabite podatke na začetku tega uporabniškega priročnika.

## NAVODILA ZA ČIŠČENJE

**POZOR:** Zaradi zaščite pred električnim udarom cvrtnika NE POTOPITE V VODO ALI KATERO KOLI DRUGO TEKOČINO. Za najboljšo učinkovitost in dolgo življenjsko dobo je treba vaš cvrtnik na vroč zrak redno čistiti. Z rednim čiščenjem boste zmanjšali tudi nevarnost požara. Za čiščenje sledite spodnjim navodilom:

1. Odstranite napajalni vtič iz električne vtičnice. Počakajte, da se cvrtnik na vroč zrak ohladi.
2. Košaro za cvrtje in notranjo posodo očistite z vlažno krpo z milnico. Uporabljajte le blago milnico. Če je madeže v košarici ali notranji posodi pretežno očistiti, jih pustite približno 10 minut namočene v topli vodi.
3. Očistite grelne elemente s suho in mehko krpo.
4. Zunanost cvrtnika na vroč zrak obrišite z mehko, vlažno krpo in nato posušite.

**POZOR:** Na površini košare za cvrtje in notranja posoda NE UPORABLJAJTE ABRAZIVNIH ČISTIL ALI DRUGIH GROBIH MATERIALOV za čiščenje. Prepričajte se, da uporabljate le blago, milnico. Abrazivna čistila, krtače za čiščenje in kemična čistila poškodujejo prevleko na tem aparatu.

Razen priporočenega čiščenja nadaljnje vzdrževanje ni potrebno.

Vse ostale servisne storitve mora opraviti pooblašeni servisni zastopnik.

## SHRANJEVANJE

Odklopite enoto, počakajte, da se ohladi, in jo pred shranjevanjem očistite. Cvrtnik na vroč zrak shranite v škatli na čistem in suhem mestu. Naprave nikoli ne shranjujte, ko je vroča ali še vedno priključena v električno omrežje. Nikoli ne ovijte kabla tesno okoli cvrtnika na vroč zrak. Ne obremenjujte kabla na vstopu v napravo, saj se lahko zaradi tega kabel scefra in pretrga.

Če cvrtnik na vroč zrak shranjujete dlje časa, se prepričajte, da je cvrtnik na vroč zrak čist in brez delcev hrane. Cvrtnik na vroč zrak shranjujte na suhem mestu, na primer na mizi ali pultu ali na polici v omari.

## ODPRAVLJANJE NAPAK

Če imate težave s cvrtnikom na vroč zrak, sledite spodnjim navodilom.

Cvrtnik na vroč zrak ne deluje.	Aparat ni priključen ali vklopljen.	Prepričajte se, da je napajalni vtič vstavljen v električno vtičnico in vklopljen.
	Niste nastavili časa ali temperature.	Nastavite čas in temperaturo ter nato pritisnite » <b>START/CANCEL</b> «.
	Notranja posoda ni pravilno pritrjena v aparatu.	Potisnite notranjo posodo v cvrtnik na vroč zrak, da »klikne«.
Sestavine, ocvrte s cvrtnikom na vroč zrak, niso gotove.	V košari za cvrtje je preveč hrane.	V košaro za cvrtje dajte manjše količine sestavin. Manjše porcije so enakomerneje ocvrte.
	Nastavljena temperatura je prenizka.	Nastavite temperaturo na potrebno vrednost.
	Čas kuhanja je prekratek.	Nastavite časovnik na potreben čas priprave.
Ocvrti prigrizki niso hrustljavi, ko pridejo iz cvrtnika na vroč zrak.	Uporabili ste vrsto prigrizka, namenjenega pripravi v običajni fritezi.	Uporabite prigrizke, pripravljene za peko v pečici, ali pa jih rahlo premažite z oljem, da bodo bolj hrustljavi.
Notranjo posodo in košaro za cvrtje je težko ali nemogoče pravilno potisniti v aparat.	V košari za cvrtje je preveč hrane.	Košare za cvrtje ne napolnite preveč.
	Košara za cvrtje ni pravilno nameščena v notranjo posodo.	Potisnite košaro za cvrtje navzdol v notranjo posodo, dokler ne zaslišite rahlega klika.
Iz aparata izhaja bel dim.	Pripravljate mastne sestavine.	Ko v cvrtniku na vroč zrak cvremo mastne sestavine, se v posodo izlije velika količina olja. To olje lahko povzroči bel dim, posoda pa se lahko segreje bolj kot običajno. To ne vpliva na delovanje aparata ali končni rezultat.
	V posodi so še vedno ostanki maščobe od prejšnje uporabe.	Bel dim je posledica segrevanja maščobe v notranji posodi; po vsaki uporabi temeljito očistite košaro za cvrtje in notranjo posodo.
Svež krompirček je v cvrtniku na vroč zrak neenakomerno ocvrt.	Niste uporabili prave vrste krompirja.	Uporabite svež krompir in poskrbite, da med cvrtjem ostane čvrst.
	Krompirjevih palčk niste pravilno splaknili, preden ste jih ocvrli.	Krompirjeve palčke temeljito sperite, da odstranite škrob z zunanje strani palčk.
Svež krompirček ni hrustljiv, ko pride iz cvrtnika na vroč zrak.	Hrustljivost krompirčka je odvisna od količine/ vrste olja in vode v krompirčku.	Prepričajte se, da ste krompirjeve palčke dobro osušili, preden dodate olje.
		Krompir narežite na tanjše palčke, da bo bolj hrustljiv.
		Za bolj hrustljav rezultat dodajte nekoliko več olja.

Če imate še vedno težave, se obrnite na klicni center SHARP in uporabite podatke na začetku tega uporabniškega priročnika.



#### **Pažnja:**

Vaš proizvod je označen ovim simbolom.

To znači da upotrebjene električne i elektronske proizvode ne treba mešati sa opštim otpadom iz domaćinstva.

Postoji sistem odvojenog prikupljanja za ove proizvode.



[www.sharpconsumer.com/  
contact/](http://www.sharpconsumer.com/contact/)



[www.sharpconsumer.com/  
support/](http://www.sharpconsumer.com/support/)



[www.sharpconsumer.com/  
documents-of-conformity/](http://www.sharpconsumer.com/documents-of-conformity/)

## **A. Informacije o uklanjanju od strane korisnika (privatna domaćinstva)**

### **1. U Evropskoj Uniji**

Pažnja: ukoliko želite da se rešite ove opreme, molimo da ne koristite običnu kantu za otpatke!

Upotrebljena električna i elektronska oprema se mora odlagati posebno u skladu sa propisima koji nalažu pravilnu upotrebu, popravku i preradu upotrebjene električne i elektronske opreme.

Kao što to važi za države članice, privatna domaćinstva unutar država EU mogu vratiti svoju upotrebjenu električnu i elektronsku opremu ovlašćenim objektima za prikupljanje ove opreme i to besplatno\*.

U nekim državama\* vaš lokalni prodavac takođe može da primi nazad vaš stari uređaj besplatno ukoliko vi kupite neki sličan uređaj.

\*) Molimo da kontaktirate lokalne vlasti za više detalja.

Ako vaša korišćena električna ili elektronska oprema ima baterije ili akumulatore, molimo vas da ih uklonite odvojeno unapred u skladu sa lokalnim zahtevima. Uklanjanje ovog proizvoda na pravi način pomoći će vam da se postarate da otpad dođe pod odgovarajući tretman, obnovu ili reciklažu i tako će sprečiti potencijalne negativne efekte na okolinu i ljudsko zdravlje do čega može da dođe usled nepravilnog upravljanja otpadom.

### **2. U drugim državama izvan EU**

Ako želite da odložite ovaj proizvod, molimo kontaktirajte lokalne vlasti i raspitajte se o pravilnom načinu odlaganja.

Za Švajcarsku: Upotrebljena električna ili elektronska oprema se može besplatno vratiti prodavcu, čak i ako ne kupite novi uređaj.

Sledeći objekti za prikupljanje ovakve opreme su izlistani na početnoj stranici sajta [www.swico.ch](http://www.swico.ch) or [www.sens.ch](http://www.sens.ch).

## **B. Informacije o odlaganju za Poslovne korisnike**

### **1. U Evropskoj Uniji**

Ukoliko je proizvod korišćen u poslovne svrhe i vi želite da ga odložite:

Molimo kontaktirajte svog SHARP prodavca koji će Vas informisati o vraćanju proizvoda. Mogu Vam biti naplaćeni troškovi preuzimanja i prerade proizvoda. Mali proizvodi (i male količine) se mogu uzeti nazad od strane Vaših lokalnih objekata za prikupljanje ove opreme.

Za Španiju: Molimo kontaktirajte uspostavljeni sistem prikupljanja ili lokalnu vlast radi preuzimanja Vaših upotrebjenih proizvoda.

### **2. U drugim državama izvan EU**

Ako želite da odložite ovaj proizvod, molimo kontaktirajte lokalne vlasti i raspitajte se o pravilnom načinu odlaganja.

Za uslugu, molimo pogledajte [www.sharpconsumer.com/contact/](http://www.sharpconsumer.com/contact/), za vaša prava na garanciju idite na [www.sharpconsumer.com/support/](http://www.sharpconsumer.com/support/) ili kontaktirajte prodavca gde ste kupili proizvod.

Izjave o usaglašavanju dostupne su na [www.sharpconsumer.com/documents-of-conformity/](http://www.sharpconsumer.com/documents-of-conformity/)




# SADRŽAJ

BEZBEDNOSNA UPUTSTVA .....	3
SPECIFIKACIJE .....	7
PEKAČ NA VAZDUH I DODACI .....	8
KONTROLNA TABLA .....	9
PRE KORIŠĆENJA PEKAČA NA VAZDUH .....	9
UPUTSTVA ZA RUKOVANJE .....	10
Automatsko kuvanje .....	10
Kuvajte od zamrznutog .....	11
Pred-grejanje .....	12
KONTROLA BIRAČA .....	13
ODRŽAVANJE DOK SE KORISTI .....	13
UPUTSTVA ZA ČIŠĆENJE .....	13
SKLADIŠTENJE .....	13
REŠAVANJE PROBLEMA .....	14

## BEZBEDNOSNA UPUTSTVA

### **Kada koristite električne uređaje, osnovne bezbednosne mere opreza treba da se poštuju, uključujući ove ispod:**

- Deca treba da budu pod nadzorom kako bi se sprečilo da se NE igraju sa uređajem.
- Ovaj uređaj nije predviđen za upotrebu od strane lica (uključujući decu) sa umanjanim fizičkim, čulnim ili mentalnim kapacitetima, ili nedostatkom iskustva i znanja, osim ako nemaju adekvatan nadzor ili uputstva u vezi upotrebe uređaja od strane osobe koja odgovara za njihovu bezbednost.
- Obrišite korpu za pečenje vazduhom i unutrašnju činiju sa mokrom, nakvašenom krpom sapunice. Postarajte se da koristite samo mlaku, sapunjavu vodu.
- NE čistite metalnim podlogama koje ostavljaju trag. Delovi mogu da se polome sa podloge i dodirnu električne delove, što dovodi do rizika od strujnog udara. Šteta na površini takođe može da se pojavi.
- Osušite jedinicu i sve montaže mekom krpom pre skladištenja ili korišćenja.
- Ako postoje mrlje na korpi ili unutrašnjoj činiji koje je teško očistiti, neka budu ubačene u toplu vodu na oko 10 minuta pre čišćenja.
- Korpa za prženje i unutrašnja činija mogu da se očiste u mašini za pranje posuđa.
- NE prepunjujte kada kuvate. Prepunjavanje može da izazove ličnu ozledu ili oštetu na imovini ili da utiče na bezbedno korišćenje uređaja.
- NE koristite ulje ili bilo koju tečnost u unutrašnjosti činije.
- NE koristite ovaj uređaj za dubinsko prženje.
- Postarajte se da hrana bude pravilno pripremljena i skuvana da bi se izbegla opasnost za zdravlje.
- Sprečite dodir hrane sa elementima za grejanje.

- UVEK se postarajte da uređaj bude pravilno montiran pre korišćenja.
- NE stavljajte sledeće materijale u prženje vazduho: kutije, plastiku, papir ili bilo šta slično.
- NE čuvajte bilo koje materijale, osim dostavljenih dodataka, u prženje vazduhom kada se ne koristi.
- NE koristite uređaj za neku drugu upotrebu osim one propisane.
- NE koristite napolju.
- Ako je potreban savet u vezi sa ovim proizvodom, kontaktirajte Sharp liniju za pomoć
- Samo držite uređaj pravilnim ručkama i koristite takve mere za zaštitu od toplote kao što su rukavice ili držači za činije.
- Pročitajte sva ova uputstva da biste se postarali da ste upoznati sa radom ovog prženja na vazduh. NE dodirujte vrele površine, gde je moguće koristiti ručke ili kontrole (u zavisnosti od modela).
- Korišćenje dodataka koji nisu preporučljivi kao ovaj mogu da izazovu opasnost ili ozledu.
- Ovaj uređaj je namenjen SAMO ZA KORIŠĆENJE U DOMAĆINSTVU.
- Da biste sprečili da unutrašnja činija padne na pod, stavite unutrašnju činiju na stabilnu površinu pre nego što podignete korpu za pečenje za vazduhu.
- Kada koristite postarajte se da ručke budu usmerene ka vama.
- NAPOMENA: oznaka  znači da su POVRŠINE UREĐAJA VRELE KADA ILI NAKON UPOTREBE. NE dodirujte vrele površine.
- NE pokrivajte ventilator za ulaz vazduha ili izlazni ventilator dok jedinica radi. To će sprečiti podjednako kuvanje i može da ošteti jedinicu ili da izazove da se pregreje.
- NE dodirujte dodatke u toku ili odmah nakon kuvanja.
- Izuzetne mere predostrožnosti moraju da se koriste kada

---

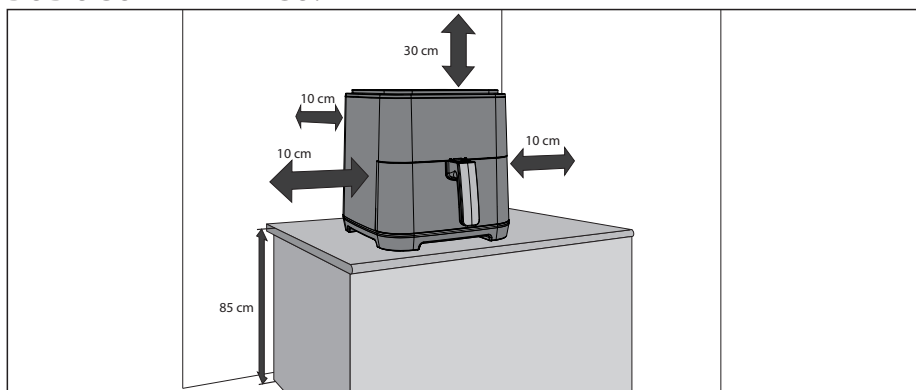
uređaj sadrži vrelu hranu. Nepravilno korišćenje može da dovede do lične povrede.

- Ostavite jedinicu nakon korišćenja tako da ima dovoljno vremena da se ohladi.
- Neka se pečenje na vazduhu ohladi pre čišćenja.
- **UPOZORENJE:** pošto se ovo pečenje na vazduhu greje u toku korišćenja ili neke površine mogu da razviju visoke temperature, kada ljudi primete temperature ovaj uređaj treba da se pažljivo koristi.
- Nosite zaštitne rukavice kada dodirujete vreme površine ili korpu za vrelo prženje na vazduhu, unutrašnju činiju i hranu.
- Kada koristite ovaj uređaj, dostavite adekvatan prostor iznad ili na svim stranama cirkulacije vazduha. **UVEK** se postarajte da unutrašnja činija bude pravilno zatvorena pre rukovanja.
- **NE** dozvolite kabl za napajanje da visi iznad ivice radne površine ili da dodiruje vruće površine.
- **NE** rukujte uređajia ako su glavni kablovi ili utičnica oštećeni na bilo koji način ili nakon greške uređaja ili ako je na bilo koji način oštećen.
- **NE** zamenjujte niti menjajte glavne kablove ili utičnicu.
- **NE** koristite produžni kabl.
- Postarajte se da glavni utikač/prekidač bude dostupan kada se pekač na vazduhu koristi.
- Ovaj pekač na vazduhu nije predviđen za rad prema spoljašnjem tajmeru ili odvojenom sistemu na daljinsko upravljanje.
- Isključite iz glavnog napajanja kada se ne koristi, ili pre čišćenja.
- Kada isključujete utičnicu iz glavnog napajanja, uvek držite utikač, nikada ne vucite za kabl.
- Kada prestanete da koristite pečenje na vazduh, pritisnite dugme **ZAUSTAVITE/OTKAŽITE** da biste se vratili u režim pripravnosti, zatim isključite iz glavnog napajanja.
- Da biste se zaštitili od strujnog udara, **NE** ubacujte pekač na

vazduhu u vodu ili druge tečnosti.

- NE pokrivate bilo koji deo pekača na vazduh dok radi, jer će to izazvati pregrevanje.
- NE stavljajte pekač na vazduh na bilo kakve vreme površine, blizu vrelog gasa/električnih ploča ili u vrelu rernu.
- Kada upravljate pekačem na vazduh, držite najmanje 1000 m razdaljine na sve strane da biste dozvolili vazduhu da cirkuliše.

**NEKA OVA UPUTSTVA BUDU NA BEZBEDNOM MESTU ZA BUDUĆU REFERENCJU.**



# SPECIFIKACIJE

Naziv modela	GS404A
Napajanje pekačem na vazduh (W)	1300
Nivoi temperature pekača na vazduh (Celzijus)	80 °C do 200 °C
8 automatskih programa	Pomfrit, teletina, povrće, <b>small chicken</b> , slanina, riba, krompir, pica
2 funkcija	Pred-grejanje, kuvanje od zaleđenog
Kapacitet (litri)	4,0
Kontrolna tabla	Digitalno sa okretnom kontrolom
Premaz kopre za pečenje	Ne lepi se
Veličina korpe za pečenje (prečnik x visina u mm)	Ø190 x 50
Premaz unutrašnje činije	Ne lepi se
Unutrašnja veličina posude (širina x visina u mm)	200 x 120
Dužina glavnih kablova (mm)	900
Nivo buke (dB)	55 - 62
Potrošnja napajanja (W)	1300
Zahtevi napajanja	220-240 V 50 Hz
Potrošnja pripravnog napajanja (W)	<0.5
Veličina (Š x V x D u mm)	261 x 338 x 327
Težina (kg)	4,5

Ovaj proizvod poštuje odgovarajuće regulative i standarde za Veliku Britaniju i EU.

U OKVIRU POLITIKE KONTINUIRANOG POBOLJŠANJA, MI ZADRŽAVAMO PRAVO POBOLJŠANJA DIZAJNA I SPECIFIKACIJA BEZ OBAVEŠTENJA.

## PEKAČ NA VAZDUH I DODACI

**Molimo da se upoznate sa sledećim funkcijama pekača na vazduh i dodacima pre prvog korišćenja:**

**Unutrašnja činija:** Stavite korpu za pečenje na unutrašnju činiju a zatim stavite unutrašnju činiju u pekač na vazduh.

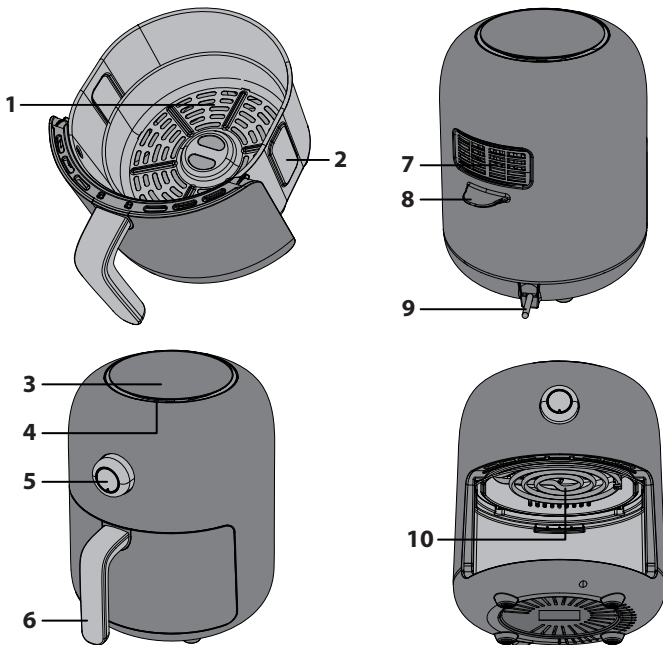
**Korpa za pečenje:** Stavite hranu u korpu za pečenje a zatim stavite korpu za pečenje u unutrašnju činiju za kuvanje.

**NAPOMENA:** Da biste sprečili unutrašnju piniju da padne na pod, stavite unutrašnju činiju na stabilnu površinu podižući korpu za pečenje.

**Ventilator za ispuštanje vazduha:** Biće vreo protok ventilacije iz ventilatora u toku korišćenja (ovo je normalno), držite ruke i lice podalje od ventilatora za propuštanje vazduha kada kuvate da biste sprečili opekotinu.

**Ručka:** Ovo se koristi za poveranje unutrašnje činije i korpe za pečenje unutra i van pekača na vazduh.

1. Korpa za pekač na vazduh
2. Unutrašnja činija
3. Kontrolna tabla
4. Ulaz za vazduh
5. Okretni birač
6. Ručka korpe za pekača
7. Ventilator za izlaz vazduha
8. Ručka za držanje
9. Glavni kabl
10. Element za grejanje



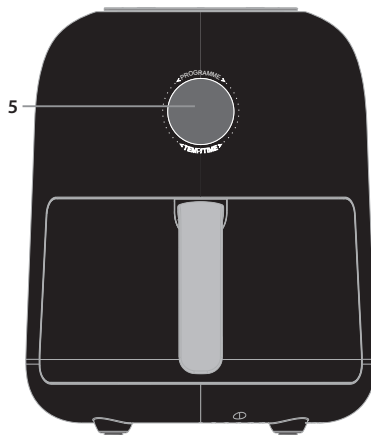
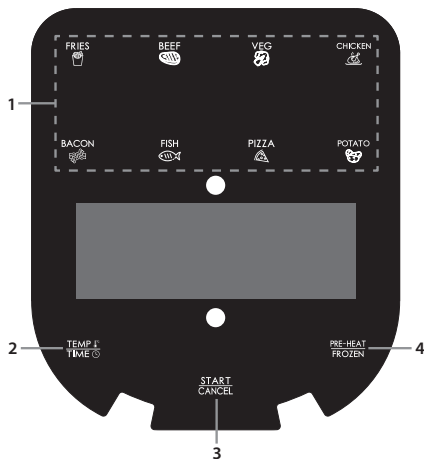
### SMER PROTOKA VAZDUHA

Kada kuvate, vruć vazduh iz elemenata pomera se okolo kao što je prikazano na slici ispod. Ovo znači da se hrana pravilno kuva pri podešenoj temperaturi i vremenskom periodu. Ne koristite bilo kakve materijale kao što su metalna folija koja može da spreči ovaj protok vazduha ili da dođe do previše natrpane korpe za pečenje.



## KONTROLNA TABLA

1. **Dugmad za automatsko kuvanje** – Programi za automatsko kuvanje, izaberite od 8 opcija.
2. **Temperatura/vreme** – Koristite ovo dugme da kontrolirate temperaturu i vreme manualno.
3. **Pokretanje/otkazivanje** – Pokrenite rukovanje pekača na vazduh ili otkažite/pauzirajte rukovanje.
4. **Pred-grejanje/zaleđeno** – Za pred-grejanje pekača na vazduh na pravilnu temperaturu kuvanja ili kuvanje od zaleđenog.
5. **Kontrola birača** – Koristi se za prilagođavanje vremena i temperature.



## PRE KORIŠĆENJA PEKAČA NA VAZDUH

Pre korišćenja vašeg pekača na vazduh po prvi put, preporučuje se da nakon što skroz otpakujete i uklonite pakovanje da unutrašnja posuda i korpa za pečenje budu očišćeni u vrućoj vodi sa sapunom ili u mašini za pranje. Zatim skroz osušite sve dodatke i ponovo montirajte pekač na vazduh. Obrisite spoljno telo i unutrašnje delove mokrom krpom i osušite pre korišćenja.

**Plug into the mains supply and set the unit to cook Fries (do not put any food into the unit). This will turn the unit on at 180°C for 23 minutes, allowing any manufacturer residue which may have adhered to the heating element during manufacture to dissipate.**

Preporučuje se da skroz pročitate ova uputstva pre korišćenja.



# UPUTSTVA ZA RUKOVANJE

**Vaš pekač na vazduh ima nekoliko rečima rukovanja:**

**Automatsko kuvanje** – izaberite jedno od 8 unapred programiranih opcija kuvanja.

**Kuvajte od zamrznutog** – kuvajte od zamrznutog (povrće, pica i pomfrit samo).

**Pred-grejanje** – postarajte se da vaš pekač na vazduh bude u pravoj temperaturi pre kuvanja.

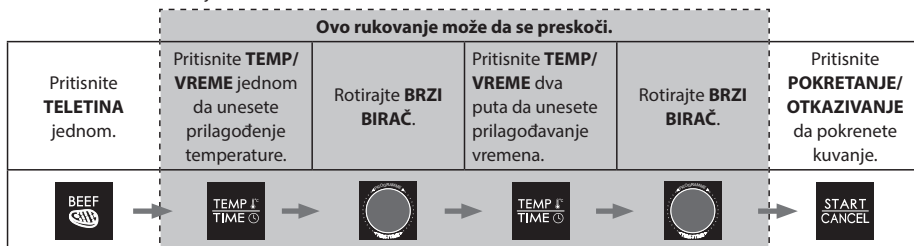
## Napomene o kuvanju

- Količina hrane ne treba da napuni više od 4/5 ukupne količine korpe za pečenje na vazduhu.
- Temperatura kuvanja i vreme mogu da se prilagode u toku kuvanja.
- Da biste pauzirali kuvanje, izvucite unutrašnju šerpu iz jedinice; kada se odgurne nazad u jedinici, počće se automatski.
- Da otkazete kuvanje, pritisnite "**ZAUSTAVITE/OTKAŽITE**" dugme dva puta.
- Neka hrana će morati da se promeša/protrese tokom kuvanja: Izvucite unutrašnju šerpu iz jedinice, promešajte/ promešajte po potrebi i vratite unutrašnju šerpu u Air Fryer; Air Fryer će se automatski ponovo pokrenuti.
- Postarajte se da hrana bude pravilno skuvana. Ako hrana nije dovoljno skuvana, vratite je u pekač na vazduh i kuvajte je duže.
- Da sprečite da unutrašnja činija padne na pod, stavite unutrašnju činiju na stabilno mesto i mesto otporno na toplotu pre podizanja iz korpe.
- Kuvajte samo hranu u ovom pekaču na vazduh.
- NE koristite za duboto prženje u ulju.

## Automatsko kuvanje

Za vaše lakše korišćenje i ugodnost postoji 8 automatskih programa kuvanja. Njima se lako pristupi putem određenih dugmadi na kontrolnom panelu.

U primeru ispod, teletina se kuva. Nije neophodno da se prilagodi temperatura ili vreme osim ako želite da vam hrana bude skuvana više ili manje.



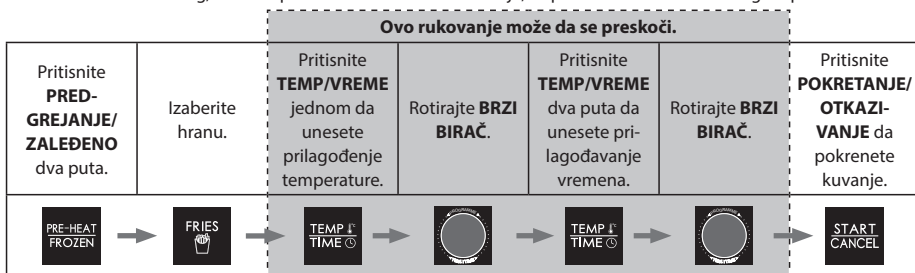
1. Podjednako stavite hranu za kuvanje u korpu za pečenje.
2. Stavite korpu za pečenje u unutrašnju činiju. Ubacite unutrašnju činiju u pekač na vazduh.
3. Uključite pekač na vazduh u glavni dovod.
4. Izaberite željenu hranu pritiskajući dugme za automatsko kuvanje na kontrolnom panelu. Podrazumevana temperatura i vreme će treperiti u LED prikazu.
  - a. Ako je potrebno, pritisnite dugme "**TEMP/VREME**" jednom, a zatim rotirajte "**BRZI BIRAČ**" da podesite željenu temperaturu kuvanja.
  - b. Ako je potrebno, pritisnite dugme "**TEMP/VREME**" dva puta, a zatim pritisnite "**BRZI BIRAČ**" da podesite željeno vreme kuvanja.
5. Pritisnite dugme "**POKRETANJE/OTKAŽI**" da pokrenete kuvanje; vreme se odbrojava.
6. Kada je kuvanje završeno pekač na vazduh će se čuti a jedinica će se vratiti u režim pripravnosti.
7. Povucite unutrašnju činiju obazrivo i odmah izvadite hranu iz korpe za pečenje na vazduh ili će toplota preostala u pekaču za vazduh nastaviti da se kuva i osušice vam hranu.

**Napomena:** Ako menjate vreme kuvanja za automatski skuvanu hranu moguće je da se poveća maksimalno za 30%. Ovo je da bi se izbeglo potencijalno zagorevanje hrane.

Hrana	Težina	Početna temperatura hrane	Vreme kuvanja	Maksimalno ekstra vreme	Okrenite	Kuvajte od vremena zaleđenog	Temperatura	Komentari
Pomfrit	200 g do 500 g	Sobna temperatura	15 do 20	23	Da	26	180	Do not overload the pot.
Teletina	150 g do 500 g		8 do 12	16	Da	-	200	Do 270 g teletine može da se skuva
Povrće	100 g do 400 g		10	13	Da	14	190	Cut up vegetables into pieces 2 x 3cm.
Piletina	800 g do 1000 g		30	39	Da	-	190	Celo pile ili veliki delovi
Slanina	4 do 6 porcija		9	12	-	-	180	Podjednako stavite delove slanine u korpu za pečenje
Riba	100 g do 500 g		12	16	Da	-	200	Place fish pieces directly onto the base of the frying basket.
Krompir	250 g svaki		40	52	Da	-	200	Stavite do 3 krompira od 250 g u svaku korpu za pečenje
Pica	100 g do 400 g		13	17	-	18	160	Place whole or pizza pieces directly in the frying basket.

## Kuvajte od zamrznutog

Da kuvate od zamrznutog, sledite uputstva za automatsko kuvanje, ali pritisnite **"ZALEĐENO"** dugme prvo.



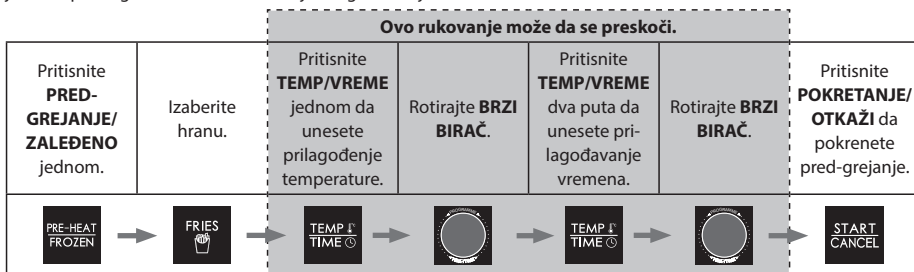
- Podjednako stavite hranu za kuvanje u korpu za pečenje.
- Stavite korpu za pečenje u unutrašnju činiju. Ubacite unutrašnju činiju u pekač na vazduh.
- Uključite pekač na vazduh u glavni dovod.
- Pritisnite **"PRED-GREJANJE/ZALEĐENO"** dugme dva puta.
- Izaberite željenu funkciju pritisajući dugme funkcije na kontrolnom panelu. Podrazumevana temperatura i vreme će treperiti u LED prikazu.
  - Ako je potrebno, pritisnite dugme **"TEMP/VREME"** jednom, a zatim rotirajte **"BRZI BIRAČ"** da podesite željenu temperaturu kuvanja.
  - Ako je potrebno, pritisnite dugme **"TEMP/VREME"** dva puta, a zatim pritisnite **"BRZI BIRAČ"** da podesite željeno vreme kuvanja.
- Pritisnite dugme **"POKRETANJE/OTKAZI"** da pokrenete kuvanje; vreme se odbrojava.
- Kada se kuvanje završi, jedinica će se čuti i vratiti u režim pripravnosti.
- Pritisnite dugme za otvaranje i izvucite unutrašnju ručku činije uz brigu i izvucite hranu.

Kuvanje od zamrznutog je moguće samo za **POMFRIT, POVRĆE** i **PICA**.

Za kuvanje druge zamrznute hrane, pogledajte savet za manuelno kuvanje.

## Pred-grejanje

Da biste se postarali da vaš pekač na vazduh radi pri pravilnoj temperaturi za kuvanje hrane, postoji funkcija pred-grejanja koja može da se koristi pre funkcija automatskog i manualnog kuvanja. Samo pritisnite dugme pred-grejanja jednom pre nego što izaberete bilo koju drugu funkciju.



1. Stavite korpu za pečenje u unutrašnju činiju. Ubacite unutrašnju činiju u pekač na vazduh.
2. Uključite pekač na vazduh u glavni dovod.
3. Pritisnite **PRED-GREJANJE/ZALEĐENO** dugme jednom.
4. Izaberite željenu hranu pritiskajući odgovarajuće dugme za automatsko kuvanje na kontrolnom panelu. Podrazumevana temperatura i vreme će treperiti u LED prikazu.
  - a. Ako je potrebno, pritisnite "TEMP/VREME" dugme jednom, a zatim rotirajte "BRZI BIRAČ" na b da podesite željenu temperaturu kuvanja.
  - b. Ako je potrebno, pritisnite dugme "TEMP/VREME" dva puta, a zatim pritisnite "BRZI BIRAČ" da podesite željeno vreme kuvanja.
5. Pritisnite dugme "POKRETANJE/OTKAŽI".
6. Kada je jedinica dostigla pravilnu temperaturu pred-grejanja čuće se zvuk.
7. Izvucite unutrašnju činiju i podjednako rasporedite hranu za kuvanje u korpu za pečenje.
8. Vratite unutrašnju činiju/korpu za pečenje u pekač na vazduh.
9. Air Fryer će početi automatski i vreme odbrojavanja.
10. Kada se kuvanje završi, jedinica će se čuti i vratiti u režim pripravnosti.
11. Izvucite unutrašnju šerpu i ne zaboravite da se pobrinete za negu i odmah izvadite hranu iz korpe za prženje vazduha ili će toplota koja je ostala u pržionici za vazduh nastaviti da kuva i suši vašu hranu.

## KONTROLA BIRAČA

Dugme kontrole birača na vašem pekaču na vazduh ima nekoliko funkcija, neke od ovih dupliraju dugmad na kontrolnom panelu.

Kada je pekač na vazduh uključen u glavno napajanje ućice u režim podešavanja funkcije i prikazaće temperaturu i vreme za prvi automatski režim programa.

Da biste izabrali željeni automatski režim, uključite dugme, zatim pritisnite centar dugmeta da potvrdite da li naziv vašeg menija blješti. Ako su temperatura i vreme koji su prikazani odgovarajući, pritisnite dugme **POKRENI/OTKAŽI** na gornjem kontrolnom panelu da započnete kuvanje.

Ako je potrebno, možete da prilagodite temperaturu kuvanja i vreme izabranog menija, pre nego što pritisnete dugme **POKRENI/OTKAŽI** da započnete kuvanje.

1. Pritisnite dugme i prikaz temperature će početi da blješti.
2. Uključite dugme da podesite željenu temperaturu kuvanja.
3. Pritisnite dugme da potvrdite podešavanje temperature. Cifre vremena će sada blještati.
4. Uključite dugme da podesite željeno vreme kuvanja.
5. Pritisnite centar dugmeta da pokrenete proces kuvanja.

Da otkazete kuvanje, pritisnite centar dugmeta.

## ODRŽAVANJE DOK SE KORISTI

Ovaj uređaj zahteva malo održavanja kada se koristi. Očistite pekač na vazduh nakon svakog korišćenja da produžite vek trajanja korišćenja.

Ovaj pekač na vazduh ne sadrži korisničke servisne delove. Ne pokušavajte da ga sami popravite. U slučaju greške, kontaktirajte SHARP centar za pomoć koristeći detalje na početku ovog korisničkog uputstva.

## UPUTSTVA ZA ČIŠĆENJE

**OPREZ:** Za zaštitu protiv strujnog udara, NE URANJAJTE PEKAČ NA VAZDUH U VODU ILI DRUGE TEČNOSTI.

Vaš pekač na vazduh treba redovno da se čisti za najbolji učinak i dug vek trajanja. Redovno čišćenje će takođe smanjiti rizik od požara. Da biste čistili sledite uputstva ispod:

1. Uklonite glavni utikač iz električnog ulaza. Dozvolite pekaču na vazduh da se ohladi.
2. Očistite korpu pekača na vazduh i unutrašnju činiju mokrom, sačunjavom tkaninom. Postarajte se da koristite blagu, sapunjavu vodu. Ako fleke u korpi ili unutrašnjoj činiji budu teške za čišćenje, neka se stave u toplu vodu na oko 10 minuta.
3. Očistite elemente za grejanje, osušite ih mekom krpom.
4. Obrišite unutrašnjost pekača na vazduh mekanom, mokrom krpom, zatim osušite.

**OPREZ:** NE KORISTITE ABRAZIVNE ČISTAČE BILO KOG TIPA MATERIJALA KOJI OSTAVLJA TRAG na površini korpe za pečenje i unutrašnje činije. Postarajte se da koristite samo blagu, sapunjavu vodu. Abrazivni čistači, četke za čišćenje i hemijski čistači oštetiće premaz na ovoj jedinici.

Osim preporučenog čišćenja, nikakvo korišćeno održavanje nije potrebno.

Sve druge usluge treba da se izvrše od strane ovlašćenog servisnog predstavnika.

## SKLADIŠTENJE

Isključite jedinicu, dozvolite da se ohladi, očistite pre čuvanja. Čuvajte pekač na vazduhu u njegovoj kutiji na čistom, suvom mestu. Nikada ne čuvajte uređaj dok je vreo ili je uključen. Nikada ne uvijajte kabl čvrsto oko pekača na vazduhu. Ne stavljajte pritisak na kabl tamo gde ulazi u jedinicu, jer može da izazove da kabl pregori ili se slomi. Ako se pekač na vazduh čuva duži vremenski period, postarajte se da pekač za vazduh bude čist i bez delova hrane. Čuvajte pekač na vazduh na suvoj lokaciji kao što je sto ili radni deo ili viseći deo police.

## REŠAVANJE PROBLEMA

Ako imate problema sa pekačem na vazduh, sledite uputstva ispod.

Pekač na vazduh ne radi	Uređaj ili nije uključen u struju ili nije uključen prekidač.	Postarajte se da glavni kabl bude ubačen u električni ulaz na zidu i uključen.
	Niste podesili vreme ili temperaturu.	Podesite vreme i temperaturu a zatim pritisnite <b>"POKRETANJE/OTKAŽI"</b> .
	Unutrašnja činija nije pravilno stavljena u jedinicu	Gurnite unutrašnju činiju u pekač na vazduhu tako da "klikne".
Sastojci pečeni sa pekačem na vazduh nisu gotovi.	Ima previše hrane u korpi za pečenje.	Stavite manje delove sastojaka u korpu za pečenje. Manji delovi se peku podjednako.
	Podešena temperatura je preniska.	Prilagodite temperaturu na željeno podešavanje temperature.
	Vreme kuvanje je prekratko.	Prilagodite tajmer na željeno vreme pripreme.
Pečene grickalice nisu hrskave kada dođu iz pekača na vazduh.	Koristili ste tip grickalica koji treba da se pripremi u tradicionalnom dubokom pekaču.	Koristite grickalice načinjene da se peku u rerni, ili namažite malo ulja na grickalice za hrskaviji rezultat.
Teško je ili nije moguće skliznuti unutrašnju činiju i korpu za pečenje u uređaj na pravilan način.	Ima previše hrane u korpi za pečenje.	Nemojte da stavite više hrane u korpu za pečenje.
	Korpa za pečenje nije pravilno stavljena u unutrašnju činiju	Gurnite korpu za pečenje u unutrašnju činiju dok ne čujete određen zvuk.
Beli dim dolazi iz uređaja.	Pripremate sastojke sa puno masti.	Kada pečete masne sastojke u pekaču na vazduh, velika količina ulja će curiti u činiju. Ovo ulje može da počne da se dimi u beloj boji i zagreva više nego obično. To ne utiče na uređaj ili na krajnji rezultat.
	Činija i dalje sadrži masne ostatke od prethodne upotrebe.	Beli dim je izazvan masnoćom koja se zagreva u unutrašnjoj činiji; postarajte se da očistite korpu za pečenje i unutrašnju činiju potpuno nakon svakog korišćenja.
Sveži pomfrit se peče nejednako u pekaču na vazduh.	Niste koristili pravilan tip krompira.	Koristite sveži krompir i postarajte se da ostanu tvrdi u toku pečenja.
	Niste isprali pravilno delove krompira pre nego što ste ih ispržili.	Isperite delove krompira u potpunosti da biste uklonili skrob iz spoljašnjosti štapića.
Svež pomfrit nije hrskav kada izade iz pekača na vazduh.	Hrskavost pomfrita zavisi od količine/tipa ulja i vode u krompiru.	Postarajte se da ocedite delove krompira pravilno pre nego što dodate ulje.
		Isecite krompir u uže štapiće zarad hrskavijeg rezultata.
		Dodajte malo više ulja za hrskaviji rezultat.

Ako i dalje imate problema, kontaktirajte SHARP korisnički centar koristeći detalje na početku ovog korisničkog uputstva.



### Uppmärksa- ma:

Produkten är märkt med den här symbolen.

Det betyder att förbrukade elektriska och elektroniska produkter inte ska blandas med vanliga hushållsoppor. Det finns ett separat insamlingsssystem för dessa produkter.



[www.sharpconsumer.com/  
contact/](http://www.sharpconsumer.com/contact/)



[www.sharpconsumer.com/  
support/](http://www.sharpconsumer.com/support/)



[www.sharpconsumer.com/  
documents-of-conformity/](http://www.sharpconsumer.com/documents-of-conformity/)

## A. Information om återvinning för användare (privata hushåll)

### 1. I Europeiska unionen

Obs: Om du vill kassera denna utrustning, använd inte den vanliga soptunnan!

Använd elektrisk och elektronisk utrustning måste hanteras separat och i enlighet med lagstiftning som kräver korrekt hantering, återvinning och återanvändning av begagnad elektrisk och elektronisk utrustning.

Följande implementationen av medlemsstaterna, kan privata hushåll inom EU-länderna återlämna deras begagnade elektriska och elektroniska produkter till särskilda insamlingsplatser gratis\*.

I vissa länder\* kan din lokala återförsäljare också ta tillbaka din gamla produkt gratis om du köper en liknande ny.

\*) Vänligen kontakta din lokala myndighet för ytterligare detaljer.

Om din använda elektriska eller elektroniska utrustning har batterier eller ackumulatörer, ska du kasta dem separat i förväg enligt lokala krav. Genom att avyttra denna produkt på korrekt sätt kommer du att bidra till att säkerställa att avfall genomgår nödvändig behandling, återvinning och materialåtervinning och därmed förhindra eventuella negativa effekter på miljön och människors hälsa som annars kan uppkomma på grund av felaktig sophantering.

### 2. I andra länder utanför EU

Om du vill kassera denna produkt ska du kontakta de lokala myndigheterna och fråga efter rätt metod för avfallshantering.

För Schweiz: Förbrukade elektriska eller elektroniska produkter kan returneras kostnadsfritt till återförsäljaren, även om du inte köper en ny produkt. Fler insamlingsställen finns listade på hemsidan [www.swico.ch](http://www.swico.ch) och [www.sens.ch](http://www.sens.ch).

## B. Information om avfallshantering för företagsanvändare

### 1. I Europeiska unionen

Om produkten används för yrkesmässiga ändamål och du vill kassera den: Kontakta din SHARP återförsäljare som kommer att informera dig om återtagning av produkten. Du kan debiteras för de kostnader som uppstår vid återtagning och återvinning. Små produkter (och små mängder) kan tas tillbaka av dina lokala återvinningsstationer.

För Spanien: Kontakta det etablerade insamlingsystemet eller de lokala myndigheterna för återtagning av dina förbrukade produkter.

### 2. I andra länder utanför EU

Om du vill kassera denna produkt ska du kontakta de lokala myndigheterna och fråga efter rätt metod för avfallshantering.

För service gå till [www.sharpconsumer.com/contact/](http://www.sharpconsumer.com/contact/), för dina garantirättigheter gå till [www.sharpconsumer.com/support/](http://www.sharpconsumer.com/support/) eller kontakta återförsäljaren där du köpte din produkt.

Försäkran om överensstämmelse är tillgänglig från [www.sharpconsumer.com/documents-of-conformity/](http://www.sharpconsumer.com/documents-of-conformity/)

# INNEHÅLL

SÄKERHETSFÖRESKRIFTER .....	3
SPECIFIKATIONER .....	6
AIR FRYER OCH TILLBEHÖR .....	7
KONTROLLPANEL .....	8
INNAN DU ANVÄNDER DIN AIR FRYER .....	8
DRIFTINSTRUKTIONER .....	9
Automatisk tillagning .....	9
Tillaga från fryst .....	10
Förvärm .....	11
KONTROLLVRED .....	12
UNDERHÅLL UNDER ANVÄNDNING .....	12
RENGÖRINGSINSTRUKTIONER .....	12
FÖRVARING .....	12
FELSÖKNING .....	13


## SÄKERHETSFÖRESKRIFTER

### **Vid användning av elektriska apparater ska grundläggande säkerhetsföreskrifter alltid följas, inklusive följande:**

- Barn bör övervakas för att se till så att de INTE leker med apparaten.
- Denna apparat är inte avsedd att användas av personer (inklusive barn) med nedsatt fysisk, sensorisk eller mental förmåga eller bristande erfarenhet och kunskap, såvida de inte har fått övervakning eller instruktioner angående användning av apparaten av en person som ansvarar för deras säkerhet.
- Rengör luftkorg och innergryta med fuktig tvålduk. Se till att endast använda milt tvålatten.
- Rengör INTE med skursvampar av metall. Bitar kan brytas av dynan och vidröra elektriska delar, vilket skapar risk för elektriska stötar. Skador på ytan kommer också att uppstå.
- Torka enheten och alla tillbehör med en mjuk trasa före förvaring eller användning.
- Om det finns några fläckar på korgen eller innergrytan som är för svåra att rengöra, låt dem ligga i varmt vatten i ca 10 minuter före rengöring.
- Frityrkorgen och innergrytan kan diskas i diskmaskin.
- Överfyll INTE när du lagar mat. Överfyllning kan orsaka personskador eller skador på egendom eller påverka säker användning av apparaten.
- Använd INTE olja eller någon annan vätska i innergrytan.
- Använd INTE denna apparat för fritering.
- Se till att maten är korrekt förberedd och tillagad för att undvika hälsorisker.
- Förhindra att maten kommer i kontakt med värmeelement.
- Se ALLTID till att apparaten är ordentligt monterad före användning.
- Placera INTE något av följande material i din air fryer:



kartong, plast, papper eller något liknande.

- Förvara INTE något annat material än de medföljande tillbehören i din air fryer när den inte används.
- Använd INTE denna apparat för annat än vad den är avsedd för.
- Använd INTE utomhus.
- Om du behöver råd om den här produkten ska du kontakta Sharp Help Line.
- Håll bara apparaten i korrekta handtag och använd sådana värmeskyddsåtgärder som handskar eller grytlappar.
- Läs alla dessa instruktioner för att se till att du är bekant med driften av denna air fryer. Vidrör INTE heta ytor, om möjligt använd handtag eller reglage (beroende på modell).
- Användning av tillbehör som inte rekommenderas eftersom detta kan orsaka fara eller skada.
- Denna apparat är ENDAST AVSEDD FÖR HUSHÅLLSBRUK.
- För att förhindra att innergrytan tappas på marken, ställ innergrytan på ett stabilt underlag innan du lyfter luftfriteringskorgen.
- Se till att handtaget pekar mot dig när du använder den.
- VARNING: Märket  betyder att APPARATENS YTOR ÄR VARMA VID eller EFTER ANVÄNDNING. Rör INTE heta ytor.
- Täck INTE över luftintaget eller luftutloppet när enheten är igång. Om du gör det förhindrar du jämn tillagning och kan skada enheten eller få den att överhettas.
- Rör INTE tillbehör under eller omedelbart efter tillagning.
- Extrem försiktighet måste iaktas när apparaten innehåller varm mat. Felaktig användning kan leda till personskador.
- Lämna enheten efter användning så att den har tillräckligt med tid att svalna.
- Låt din air fryer svalna före rengöring.
- VARNING: Eftersom denna airfryer blir varm under användning och vissa ytor kan utveckla höga temperaturer och eftersom människor uppfattar temperaturer olika bör

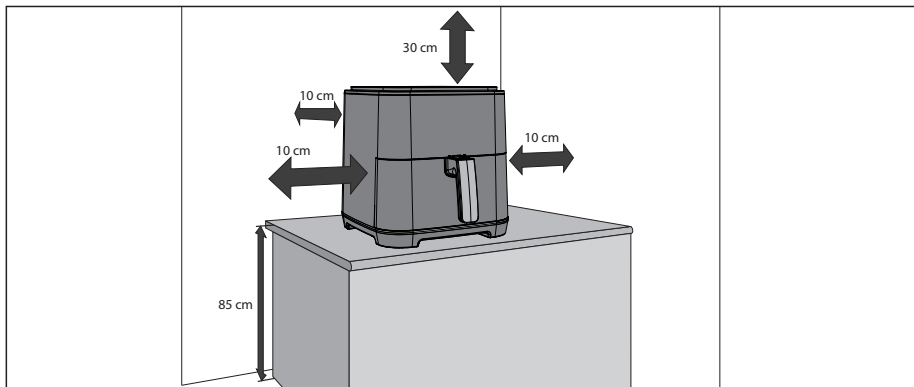
---

denna enhet användas med försiktighet.

- Använd isolerade skyddshandskar när du rör vid varma ytor eller varmluftsfriteringskorg, innergryta och mat.
- När du använder denna apparat, se till att det finns tillräckligt med utrymme ovanför och på alla sidor för luftcirkulation. Se ALLTID till att innergrytan är ordentligt stängd innan du använder den.
- Låt INTE strömkabeln hänga över kanten på arbetsytan eller vidröra heta ytor.
- Använd INTE apparaten om nätsladden eller kontakten är skadad på något sätt eller efter att apparaten inte fungerar eller har skadats på annat sätt.
- Byt INTE ut eller modifiera nätkabeln eller kontakten.
- Använd INTE en förlängningsladd.
- Se till att eluttaget/strömbrytaren är tillgänglig när airfryern används.
- Denna airfryer är inte avsedd att manövreras med hjälp av en extern timer eller separat fjärrkontrollsystem.
- Dra ur kontakten från eluttaget när den inte används eller före rengöring.
- När du kopplar ur nätkontakten från elnätet ska du alltid hålla i kontakten och aldrig dra i sladden.
- När du har slutat använda airfryern, tryck på STOPP/AVBRYT-knappen för att återgå till standby-läge och dra sedan ur kontakten från eluttaget.
- För att skydda mot elektriska stötar, sänk INTE ner airfryern i vatten eller andra vätskor.
- Täck INTE över någon del av din airfryer medan den är igång, eftersom den kommer att överhettas.
- Placera INTE airfryern på några heta ytor, nära heta gas-/elektriska brännare eller i en uppvärmd ugn.

- När du använder airfryern ska du ha minst 100 mm utrymme på alla sidor för att möjliggöra tillräcklig luftcirkulation.

SPARA DESSA INSTRUKTIONER PÅ EN SÄKER PLATS FÖR FRAMTIDA REFERENS



## SPECIFIKATIONER

Modellnamn	GS404A
Air Fryer effekt (W)	1300
Air Fryer temperaturnivåer (Celsius)	80 °C till 200 °C
8 automatiska program	Pommes frites, nötkött, grönsaker, liten kyckling, bacon, fisk, potatis, pizza
2 funktioner	Förvärm, laga från frusen
Kapacitet (liter)	4,0
Kontrollpanel	Digital med vridreglage
Frityrkorgsbeläggning	Non stick
Frityrkorgsstorlek (B x H x D i mm):	Ø190 x 50
Innergrytans beläggning	Non-stick
Innergrytans storlek (diameter x höjd i mm):	200 x 120
Nätkabelns längd (mm)	900
Ljudnivå (dB)	55 - 62
Strömförbrukning (W)	1300
Strömförsörjningskrav	220-240 V 50 Hz
Strömförbrukning i standby (W)	<0.5
Storlek (B x H x D i mm):	261 x 338 x 327
Vikt (kg)	4,5

Denna produkt överensstämmer med relevanta förordningar och standarder för Storbritannien och EU.

SOM DEL AV EN POLICY FÖR KONTINUERLIG FÖRBÄTTRING FÖRBEHÅLLER VI OSS RÄTTEN ATT ÄNDRA FORMGIVNING OCH SPECIFIKATIONER UTAN FÖRVARNING.

# AIR FRYER OCH TILLBEHÖR

Vänligen bekanta dig med följande Air Fryer-funktioner och tillbehör före första användningen:

**Innergryta:** Placera frytkorgen på innergrytan och placera sedan innergrytan i airfryern.

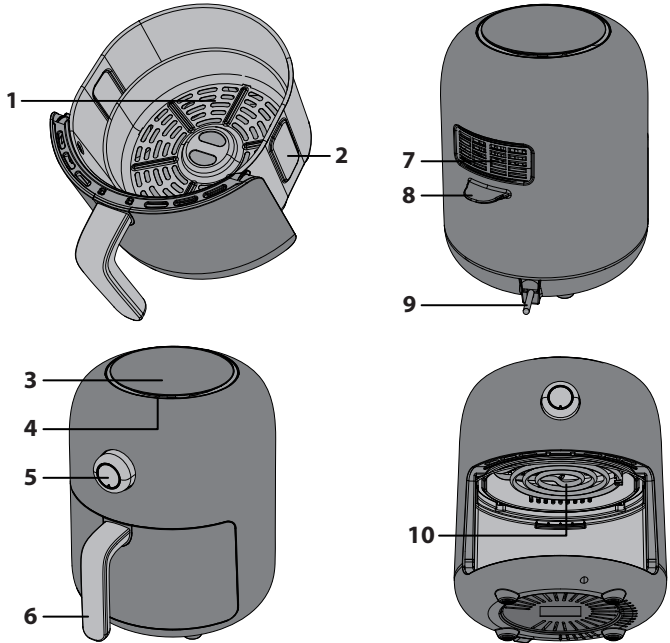
**Frytkorg:** Placera maten i frytkorgen och lägg sedan frytkorgen i innergrytan för att laga mat.

**OBS:** För att förhindra att innergrytan tappas på marken, ställ innergrytan på ett stabilt underlag innan du lyfter ut frytkorgen.

**Luftutsläppsventil:** Det kommer att finnas varm ånga från utsläppsventilen under användning (detta är normalt), håll händerna och ansiktet borta från luftutsläppsventilen vid matlagning för att förhindra skällning.

**Handtag:** Detta används för att flytta innergrytan och frytkorgen in och ut ur airfryern.

1. Air Fryer-korg
2. Innergryta
3. Kontrollpanel
4. Luftintag
5. Rullhjul
6. Frytkorgshandtag
7. Luftutsläppsventil
8. Hållarhandtag
9. Nätkabel
10. Värmeelement



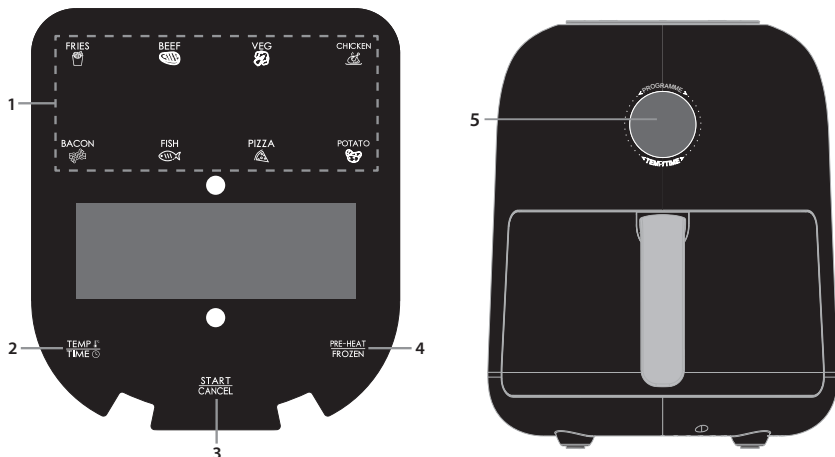
## LUFTFLÖDESRIKTNING

Vid matlagning flyttas den varma luften från elementet runt som visas på bilden nedan. Detta säkerställer att din mat tillagas jämnt vid inställd temperatur och tidsperiod. Använd inga material som metallfolie som kan hindra detta luftflöde eller överfyll frytkorgen.



## KONTROLLPANEL

- 1. Autotillagningsknappar** – Automatiska matlagingsprogram, välj mellan 8 alternativ.
- 2. Temperatur/Tid** – Använd den här knappen för att kontrollera temperaturen och tid manuellt.
- 3. Start/Avbryt** – Starta driften av Air Fryer eller avbryta/pausa åtgärden.
- 4. Förvärm/Fryst** – För förvärmning av Air Fryer till rätt tillagningstemperatur eller tillagning från fryst.
- 5. Rullkontroll** – Används för att justera tid och temperatur.



## INNAN DU ANVÄNDER DIN AIR FRYER

Innan du använder din airfryer för första gången, rekommenderas att efter att du har packat upp och tagit bort all förpackning att innergrytan och frytkorgen rengörs i varmt tvålatten eller i diskmaskin. Torka sedan alla tillbehör noggrant och sätt tillbaka dem i Air Fryer. Torka av den yttre kroppen och de inre delarna med en fuktig trasa och torka innan användning.

Anslut till elnätet och ställ in enheten på att tillaga pommes frites (lägg inte i några livsmedel i enheten). Då slås enheten på vid 180°C i 23 minuter så att eventuella rester som kan ha fastnat på värmelementet under tillverkningen kan försvinna.

Det rekommenderas att du läser dessa instruktioner fullständigt före användning.

# DRIFTINSTRUKTIONER

**Din Air Fryer har flera driftsätt:**

**Automatisk tillagning** – välj ett av de 8 förprogrammerade tillagningsalternativen.

**Tillaga från fryst** – Tillaga från fryst (endast grönsaker, pizza och pommes frites).

**Förvärm** – Se till att din Air Fryer har rätt temperatur innan tillagning.

## Anteckningar om matlagning

- Mängden mat bör inte fylla mer än 4/5 av den totala mängden av air fry-korgen.
- Tillagningstemperaturen och tiden kan justeras under tillagningen.
- För att pausa tillagningen, dra ut innerkrukan ur enheten; när den sätts tillbaka startar enheten automatiskt.
- För att avbryta tillagningen, tryck på knappen "**START/AVBRYT**" två gånger.
- Vissa livsmedel kommer att behöva röras om/skakas under tillagningen: Dra ut innerkannan ur enheten, rör om/skaka vid behov och sätt sedan tillbaka innerkannan i Air Fryer; Air Fryer startar om automatiskt.
- Se till att maten har tillagats på rätt sätt. Om maten är underkokt, gå tillbaka till airfryern och tillaga längre.
- För att förhindra att innergrytan tappas på marken, ställ innergrytan på ett stabilt och värmefasta underlag innan du lyfter ut korgen.
- Laga endast mat i airfryern.
- Använd INTE för fritering.

## Automatisk tillagning

För din enkelhet och bekvämlighet finns det 8 automatiska matlagningsprogram. Dessa nås enkelt via de dedikerade knapparna på kontrollpanelen.

I exemplet nedan tillagas nötkött. Det är inte nödvändigt att justera temperaturen eller tiden om du inte vill att maten ska lagas mer eller mindre.



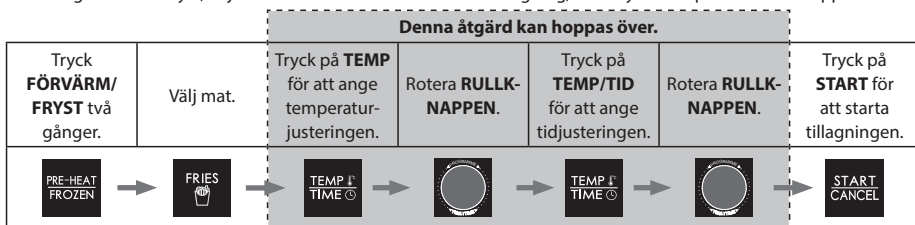
1. Lägg maten som ska tillagas jämnt i fryrkorgen.
2. Lägg fryrkorgen i innergrytan. Sätt in innergrytan i airfryern.
3. Anslut airfryern till eluttaget.
4. Välj önskad mat genom att trycka på knappen för automatisk tillagning på kontrollpanelen. Standardtemperaturen och -tiden blinkar i LED-displayen.
  - a. Vid behov, tryck på "**TEMP/TID**"-knappen en gång och tryck sedan på "**RULLKNAPPEN**" för att ställa in önskad tillagningstemperatur.
  - b. Vid behov, tryck på "**TEMP/TID**"-knappen en gång och tryck sedan på "**RULLKNAPPEN**" för att ställa in önskad tillagningstid.
5. Tryck på "**START/AVBRYT**"-knappen för att starta tillagningen; tiden räknas ner.
6. När tillagningen är klar avger airfryern ett ljud och enheten återgår till standbyläge.
7. Dra försiktigt ut innergrytan och ta ut maten ur air fry-korgen omedelbart, annars fortsätter värmen som finns kvar i airfryern att koka och torka ut din mat.

**Obs:** Om du ändrar tillagningstiden för autotillagning av mat är det bara möjligt att öka maximalt med 30 %. Detta för att undvika risken att bränna din mat.

Mat	Vikt	Inledande livsmedels-temperatur	Tillagnings-tid	Maximal extra tid	Vänd	Tillaga från fryst tid	Temperatur	Kommentarer
Pommes frites	200 g,500 g	Rumstempe- ratur	15 till 20	23	Ja	26	180	Do not overload the pot.
Nätkött	150 g,500 g		8 till 12	16	Ja	-	200	Upp till 270 g biff kan tillagas
Grönsaker	100 g,400 g		10	13	Ja	14	190	Cut up vegetables into pieces 2 x 3cm.
Kyckling	800 g,1000 g		30	39	Ja	-	190	Hel kyckling eller stora bitar
Bacon	4 till 6 skivor		9	12	-	-	180	Jämnt fördela skivorna bacon i fryrkyrorgen
Fisk	100 g,500 g		12	16	Ja	-	200	Place fish pieces directly onto the base of the frying basket.
Potatis	250 g var		40	52	Ja	-	200	Lägg upp till 3 potatisar à 250 g vardera i fryrkyrorgen
Pizza	100 g,400 g		13	17	-	18	160	Place whole or pizza pieces directly in the frying basket.

## Tillaga från fryst

För att laga mat från fryst, följ instruktionerna för automatisk matlagning, men tryck först på "FRYST" -knappen.



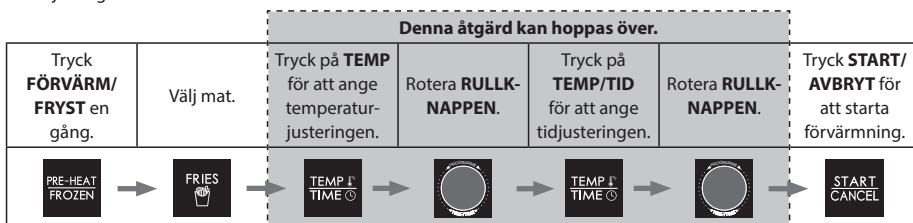
- Lägg maten som ska tillagas jämnt i fryrkyrorgen.
- Lägg fryrkyrorgen i innergrytan. Sätt in innergrytan i airfryern.
- Anslut airfryern till eluttaget.
- Tryck på "FÖRVÄRM/FRYST" två gånger.
- Välj önskad funktion genom att trycka på knappen för funktion på kontrollpanelen. Standardtemperaturen och -tiden blinkar i LED-displayen.
  - Vid behov, tryck på "TEMP/TID" -knappen en gång och tryck sedan på "RULLKNAPPEN" för att ställa in önskad tillagningstemperatur.
  - Vid behov, tryck på "TEMP/TID" -knappen två gånger och tryck sedan på "RULLKNAPPEN" för att ställa in önskad tillagningstid.
- Tryck på "START/AVBRYT" -knappen en gång för att starta tillagningen; tiden räknas ner.
- När tillagningen är klar avger enheten ett ljud och återgår till standbyläge.
- Tryck på öppningsknappen och dra försiktigt ut innergrythandtaget och ta ut maten.

Tillagning från fryst är endast möjligt för **POMMES FRITES**, **GRÖNSAKER** och **PIZZA**.

För tillagning av andra frysta livsmedel, se de manuella tillagningsanvisningarna.

## Förvärm

För att säkerställa att din Air Fryer har rätt temperatur för tillagning av din mat, finns det en förvärmningsfunktion som kan användas före automatisk tillagning och manuell tillagning. Tryck bara på förvärmningsknappen en gång innan du väljer någon annan funktion.



1. Lägg frityrkorgen i innergrytan. Sätt in innergrytan i airfryern.
2. Anslut airfryern till eluttaget.
3. Tryck på **FÖRVÄRM/FRYST** en gång.
4. Välj önskad mat genom att trycka på motsvarande autotillagningssknapp på kontrollpanelen. Standardtemperaturen och tiden blinkar i LED-displayen.
  - a. Vid behov, tryck på **"TEMP/TID"** -knappen en gång och tryck sedan på **RULLKNAPPEN** för att ställa in önskad tillagningstemperatur.
  - b. Vid behov, tryck på **"TEMP/TID"** -knappen två gånger och tryck sedan på **"RULLKNAPPEN"** för att ställa in önskad tillagningstid.
5. Tryck på knappen **"START/AVBRYT"**.
6. När enheten har uppnått rätt förvärmningstemperatur hörs ett ljud.
7. Ta ut innergrytan och lägg maten som ska tillagas jämnt i frityrkorgen.
8. Sätt tillbaka innergrytan/frityrkorgen i airfryern.
9. Air Fryern startar automatiskt och tiden räknas ned.
10. När tillagningen är klar avger enheten ett ljud och återgår till standbyläge.
11. Dra ut innerkärlet och kom ihåg att hantera maten varsamt och ta ut den ur frityrkorgen omedelbart, annars kommer den kvarvarande värmen i frityrkärlet att fortsätta tillaga och torka ut maten.



## KONTROLLVRED

Kontrollvredet på din Air Fryer har flera funktioner, några av dessa duplicerar knapparna på kontrollpanelen. När Air Fryer är ansluten till elnätet kommer den att gå in i funktionsinställningsläget och visa temperatur och tid för det första automatiska programläget.

För att välja önskad automeny, vrid på vredet och tryck sedan på mitten av vredet för att bekräfta när ditt menynamn blinkar. Om temperaturen och tiden som visas i displayen är lämpliga, tryck på **START/AVBRYT**-knappen på den övre kontrollpanelen för att starta tillagningen.

Om det behövs kan du justera tillagningstemperaturen och tiden för den valda menyen innan du trycker på knappen **START/AVBRYT** för att börja laga mat.

1. Tryck på vredet och temperaturdisplayen börjar blinka.
2. Vrid på vredet för att ställa in önskad tillagningstemperatur.
3. Tryck på vredet för att bekräfta temperaturinställningen. Tidssiffrorna blinkar nu.
4. Vrid på vredet för att ställa in önskad tillagningstid.
5. Tryck på mitten av vredet för att starta tillagningsprocessen.

För att avbryta tillagningen, tryck på mitten av vredet.

## UNDERHÅLL UNDER ANVÄNDNING

Denna apparat kräver lite underhåll när den används. Rengör din Air Fryer efter varje användning för att förlänga dess användbara livslängd.

Denna Air Fryer innehåller inga delar som användaren kan reparera. Försök inte reparera den själv. I den osannolika händelsen av fel, kontakta SHARP Call Center med hjälp av informationen i början av denna användarmanual.

## RENGÖRINGSINSTRUKTIONER

**VARNING:** För att skydda mot elektriska stötar, SÄNK INTE NED AIR FRYER I VATTEN ELLER ANNAN VÄTSKA.

Din air fryer bör rengöras regelbundet för bästa prestanda och lång livslängd. Regelbunden rengöring minskar också brandrisken. För att rengöra följ instruktionerna nedan:

1. Ta bort stickkontakten från eluttaget. Låt din Air Fryer svalna.
2. Rengör air fry-korgen och innergrytan med en fuktig trasa med tvål. Se till att endast använda mild tvålatten. Om fläckarna i korgen eller innerkrukan är för svåra att rengöra, låt dem dra i varmt vatten i cirka 10 minuter.
3. Rengör värmeelementen med torr och mjuk trasa.
4. Torka av utsidan av din air fryer med en mjuk, fuktig trasa och torka sedan.

**VARNING:** ANVÄND INTE SLIPANDE RENGÖRINGSMEDEL ELLER NÅGON TYP AV SKURMATERIAL på ytan av frityrkorgen och innergrytan. Se till att endast använda mild tvålatten. Slipande rengöringsmedel, skurborstar och kemiska rengöringsmedel kommer att skada beläggningen på denna enhet.

Utöver den rekommenderade rengöringen ska inget ytterligare användarunderhåll behövas.

All annan service ska utföras av en auktoriserad servicerepresentant.

## FÖRVARING

Koppla ur enheten, låt den svalna och rengör innan den förvaras. Förvara airfryern i sin låda på en ren, torr plats. Förvara aldrig apparaten medan den är varm eller fortfarande ansluten. Linda aldrig sladden hårt runt Air Fryer. Utsätt inte sladden för någon belastning där den kommer in i enheten, eftersom det kan göra att sladden slits och går sönder.

Om du förvarar airfryern under långa perioder, se till att den är ren och fri från matpartiklar. Förvara airfryern på en torr plats, till exempel på ett bord eller en bänkskiva eller en skåphylla.

# FELSÖKNING

Om du har problem med din airfryer, följ anvisningarna nedan.

Air Fryer fungerar inte	Apparaten är antingen inte inkopplad eller påslagen.	Se till att nätkontakten är ansluten till ett eluttag och att den är påslagen.
	Du har inte ställt in tid eller temperatur.	Ställ in tid och temperatur och tryck sedan på <b>"START/AVBRYT"</b> .
	Innergrytan är inte ordentligt låst i enheten	Skjut in innergrytan i Air Fryer så att den "klickar".
Ingredienserna som steks med Air Fryer är inte färdiga.	Det är för mycket mat i fryrkorgen.	Lägg mindre omgångar av ingredienser i fryrkorgen. Mindre partier steks jämnare.
	Den inställda temperaturen är för låg.	Justera temperaturen till önskad temperaturinställning.
	Tillagningstiden är för kort.	Ställ in timern till önskad tillredningstid.
Friterade snacks är inte krispiga när de kommer ut ur Air Fryer.	Du använde en typ av snacks avsedda att tillagas i en traditionell fritös.	Använd snacks gjorda för att tillagas i ugnen, eller pensla lätt lite olja på snacksen för ett krispigare resultat.
Det är svårt eller inte möjligt att skjuta in innergrytan och fryrkorgen ordentligt i apparaten.	Det är för mycket mat i fryrkorgen.	Överfyll inte fryrkorgen.
	Fryrkorgen har inte placerats ordentligt i innergrytan	Tryck ner fryrkorgen i innergrytan tills du hör ett lätt klick.
Vit rök kommer ut ur apparaten.	Du tillreder feta ingredienser.	När du steker feta ingredienser i Air Fryer kommer en stor mängd olja att läcka ut i pannan. Denna olja kan vitröka och pannan kan värmas upp mer än vanligt. Detta påverkar inte apparaten eller slutresultatet.
	Pannan innehåller fortfarande fettrester från tidigare användning.	Vit rök orsakas av att fett värms upp i innergrytan; se till att du rengör fryrkorgen och innergrytan noggrant efter varje användning.
Färska pommis frites friteras ojämnt i Air Fryer.	Du använde inte rätt typ av potatis.	Använd färsk potatis och se till att de håller sig fasta under stekningen.
	Du sköljde inte potatisstängerna ordentligt innan du stekte dem.	Skölj potatisstängerna noggrant för att avlägsna stärkelse från utsidan av stängerna.
Färska pommis frites är inte krispiga när de kommer ut ur Air Fryer.	Pommisens krispighet beror på mängden/typ av olja och vatten i pommis fritesen.	Se till att du torkar potatisstängerna ordentligt innan du tillsätter oljan.
		Skär potatisen i tunnare stänger för ett krispigare resultat.
		Tillsätt lite mer olja för ett krispigare resultat.

Om du fortfarande har problem, kontakta SHARP Call Center med hjälp av informationen i början av denna användarmanual.



### Увага:

Ваш прилад марковано такою позначкою. Це означає, що відходи електричного та електронного обладнання не можна змішувати зі звичайним побутовим сміттям. Існує окрема система прийому й утилізації цих виробів.



[www.sharpconsumer.com/contact/](http://www.sharpconsumer.com/contact/)



[www.sharpconsumer.com/support/](http://www.sharpconsumer.com/support/)



[www.sharpconsumer.com/documents-of-conformity/](http://www.sharpconsumer.com/documents-of-conformity/)

## A. Інформація щодо утилізації для користувачів (приватних домогосподарств)

### 1. У Європейському Союзі

Увага: Не викидайте цей виріб у звичайний смітник!

Відходи електричного й електронного обладнання підлягають окремій утилізації, і згідно з законодавством, їх має бути належним чином оброблено, утилізовано й перероблено.

Країнами-членами ЄС встановлено, що приватні господарства в країнах ЄС можуть безкоштовно здати електричне або електронне обладнання, що вийшло з експлуатації, до спеціалізованих пунктів прийому\*.

У деяких країнах\* місцеві підприємства торгівлі також можуть безкоштовно приймати старі вироби в осіб, які купують нові аналогічні вироби.

\*) Щоб отримати більше інформації, зверніться до місцевих органів влади.

Батарейки чи акумулятори, якими було оснащене електричне або електронне обладнання, що вийшло з експлуатації, також підлягають окремій утилізації згідно з вимогами місцевих органів влади.

Дотримуючись правил утилізації цього приладу, ви допомагаєте забезпечити його належну обробку, утилізацію та переробку, що дозволяє запобігти потенційному негативному впливу на довкілля та здоров'я людей, пов'язаному з неналежною утилізацією сміття.

### 2. В інших країнах за межами ЄС

Якщо Ви бажаєте позбутися цього виробу, зверніться до місцевих органів влади й дізнайтеся про правильний спосіб утилізації.

Для Швейцарії: Електричне чи електронне обладнання, що вийшло з ладу, можна безкоштовно повернути продавцю, навіть якщо Ви не збираєтесь придбати новий виріб. Список інших приймальних пунктів наведено на домашній сторінці [www.swico.ch](http://www.swico.ch) або [www.sens.ch](http://www.sens.ch).

## B. Інформація щодо утилізації для комерційних користувачів

### 1. У Європейському Союзі

Якщо Ви хочете позбутися виробу, що використовувався з комерційною метою:

Зверніться до місцевого дилера компанії SHARP і отримайте інформацію щодо повернення виробу. Ви можете зазнати певних витрат, що пов'язані зі здаванням і переробкою виробу. Вироби невеликого розміру (у невеликих кількостях) можна здати в місцеві приймальні пункти.

Для Іспанії: Для повернення виробів, що вийшли з ладу, зверніться до відповідної установи зі збирання відходів чи до місцевих органів влади.

### 2. В інших країнах за межами ЄС

Якщо Ви бажаєте позбутися цього виробу, зверніться до місцевих органів влади й дізнайтеся про належні способи утилізації.

Звернутися по обслуговування можна, відвідавши сторінку [www.sharpconsumer.com/contact/](http://www.sharpconsumer.com/contact/), а ознайомитися зі своїми гарантійними правами — за адресою [www.sharpconsumer.com/support/](http://www.sharpconsumer.com/support/) або звернувшись до продавця, в якого було придбано виріб.

Декларації відповідності можна одержати за адресою: [www.sharpconsumer.com/documents-of-conformity/](http://www.sharpconsumer.com/documents-of-conformity/)

---

# ЗМІСТ

ВКАЗІВКИ З ТЕХНІКИ БЕЗПЕКИ.....	3
ТЕХНІЧНІ ХАРАКТЕРИСТИКИ.....	7
МУЛЬТИПІЧ І ЇЇ ПРИЛАДДЯ.....	8
ПАНЕЛЬ КЕРУВАННЯ.....	9
ПІДГОТОВКА МУЛЬТИПЕЧІ ДО ВИКОРИСТАННЯ.....	9
ІНСТРУКЦІЯ З ЕКСПЛУАТАЦІЇ.....	10
Автоматичне приготування.....	10
Приготування з заморожених продуктів.....	11
Підігрів.....	12
ПОВОРОТНИЙ ПЕРЕМИКАЧ.....	12
ОБСЛУГОВУВАННЯ В ПЕРІОД КОРИСТУВАННЯ.....	13
ВКАЗІВКИ ЩОДО ЧИЩЕННЯ.....	13
ЗБЕРІГАННЯ.....	13
ПОШУК І УСУНЕННЯ НЕСПРАВНОСТЕЙ.....	14

## ВКАЗІВКИ З ТЕХНІКИ БЕЗПЕКИ

**Під час користування електроприладом обов'язково слід дотримуватись основних застережних заходів, зокрема:**

- Наглядайте за дітьми, щоб вони НЕ гралися з приладом.
- Цей прилад не призначений для використання особами з обмеженими фізичними, сенсорними або психічними можливостями (у т. ч. дітьми) або особами, що не мають відповідного досвіду чи знань, окрім випадків, коли вони перебувають під наглядом або навчилися користуватись ним від особи, відповідальної за їхню безпеку.
- Очищувати кошик для обсмажування і внутрішню чашу слід вологою тканиною, змоченою мильним розчином. Для цього можна користуватися лише водним розчином нейтрального мийного засобу.
- Не користуйтеся металевими мочалками. Частинки, які можуть від них відламуватися, можуть доторкатися до електричних деталей, створюючи ризик ураження електричним струмом. Крім того, такі мочалки можуть псувати поверхню.
- Перш ніж зберігати чи починати користуватися пристроєм, витріть його і всі його вузли м'якою тканиною.
- Якщо на кошику чи внутрішній чаші є важко усуні плями, перед очищенням замочіть ці деталі приблизно на 10 хвилин у теплій воді.
- Кошик для обсмажування і внутрішню чашу можна мити у посудомийній машині.
- НЕ переповнюйте ємності, що використовуються для приготування страв. Їх переповнення може призводити до травм чи пошкодження майна, а також перешкоджати безпечному користуванню приладом.
- НЕ наливайте у внутрішню чашу олію чи будь-які інші рідини.

- 
- НЕ використовуйте цей прилад для смаження у фритюрі.
  - Щоб не наражати на небезпеку здоров'я людей, підготуйте продукти і готуйте страви у належний спосіб.
  - Не допускайте, щоб продукти доторкалися до нагрівальних елементів.
  - Перш ніж користуватися приладом, ЗАВЖДИ перевіряйте правильність його складання.
  - НЕ кладіть на мультипіч жодні предмети з таких матеріалів як папір, картон, пластмаса тощо.
  - Коли мультипіч не використовується, НЕ зберігайте у ній нічого, крім додаткового приладдя, яке входить у її комплект.
  - НЕ використовуйте прилад не за призначенням.
  - Користуватися приладом можна ТІЛЬКИ у приміщеннях.
  - Якщо знадобиться якась порада щодо користування виробом, зверніться у службу підтримки компанії Sharp.
  - Тримайте прилад тільки за його призначені для цього ручки, користуючись такими жарозахисними засобами як рукавиці чи прихватки.
  - Щоб навчитися користуватися мультипіччю, повністю прочитайте цю інструкцію. НЕ доторкайтеся до гарячих поверхонь — наскільки можливо, користуйтеся ручками чи елементами керування (залежно від моделі).
  - Користування додатковими пристроями, які не рекомендовано виробником, може призвести до виникнення небезпеки чи одержання травми.
  - Цей прилад призначений ТІЛЬКИ ДЛЯ ПОБУТОВОГО ВИКОРИСТАННЯ.
  - Щоб внутрішня чаша не впала на підлогу, перед вийманням кошика для обсмажування її слід поставити на стійку поверхню.
  - Користуючись мультипіччю, ставте її ручкою до себе.
  - УВАГА! Значок  означає, що ПІД ЧАС І ПІСЛЯ КОРИС-

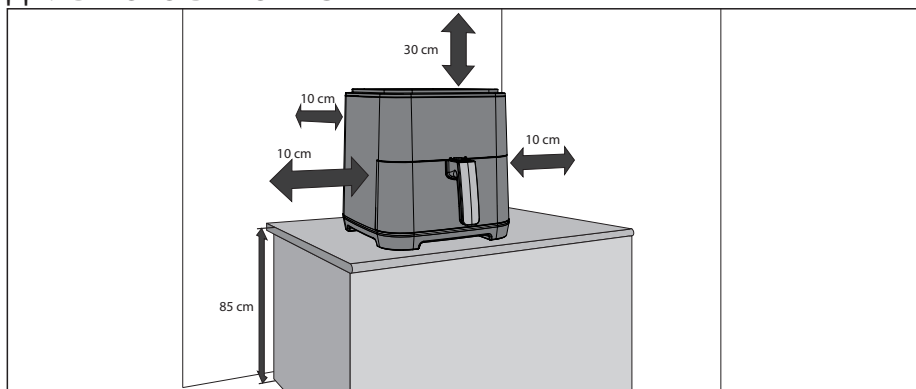
ТУВАННЯ ПОВЕРХНІ ПРИЛАДУ МАЮТЬ ВИСОКУ ТЕМПЕРАТУРУ. НЕ доторкайтеся до гарячих поверхонь.

- Під час роботи приладу НЕ перекривайте отвори, крізь які входить і виходить повітря. Це може призвести до нерівномірного прогрівання продуктів і до виходу приладу з ладу внаслідок перегрівання.
- НЕ доторкайтеся до додаткового приладдя під час і одразу після закінчення приготування.
- Коли прилад містить гарячі продукти, з ним слід поводитись надзвичайно обережно. Неправильне поводження може призвести до травми.
- Закінчивши користуватися приладом, слід зачекати достатньо часу, щоб він охолонув.
- Мити мультитіч можна тільки після того, як вона охолоне.
- **ОБЕРЕЖНО!** Під час роботи прилад нагрівається, і деякі поверхні можуть бути гарячими. Оскільки люди чутливі до високих температур, користуватися цим приладом слід обережно.
- Коли потрібно доторкатися до гарячих поверхонь, кошика для обсмажування, внутрішньої чаші або продуктів, користуйтеся теплоізоляційними захисними рукавицями.
- Під час користування цим приладом з усіх боків від нього повинен бути вільний простір, достатній для циркуляції повітря. Перш ніж починати використання приладу, **ОБОВ'ЯЗКОВО** перевіряйте, чи добре закрита внутрішня чаша.
- НЕ допускайте, щоб шнур живлення звисав із робочої поверхні чи доторкався до гарячих поверхонь.
- НЕ користуйтеся приладом, якщо його шнур чи вилка живлення мають хоч якісь пошкодження, якщо прилад мав несправності або якісь інші порушення.
- НЕ замінюйте і не змінюйте шнур чи вилку живлення.
- НЕ вмикайте прилад через подовжувач.
- Під час користування мультитіччю її розетка і вимикач

живлення мають бути розташовані в доступному місці.

- Ця мультиварка не призначена для роботи з використанням зовнішнього таймера чи окремої системи дистанційного керування.
- Під час простою або перед миттям її слід вимикати з електророзетки.
- Виймаючи вилку живлення з електророзетки, завжди беріться за корпус — тягнути вилку за шнур категорично заборонено.
- Закінчивши користуватися мультиваркою, спочатку переводьте її в черговий режим, натиснувши кнопку STOP/CANCEL (СТОП/СКАСУВАТИ), а потім вимикайте її з електромережі.
- Щоб запобігти ризику ураження електричним струмом, НЕ занурюйте мультиварку у воду чи будь-які інші рідини.
- Коли мультиварка працює, НЕ накривайте жодну її частину — це може призвести до перегрівання.
- НЕ ставте мультиварку на будь-які гарячі поверхні, поруч із газовими чи електричними конфорками або в нагріту духовку.
- Під час користування мультиваркою з усіх боків від неї має бути хоча би 100 мм вільного місця для забезпечення належної циркуляції повітря.

**ЗБЕРІГАЙТЕ ЦЮ ІНСТРУКЦІЮ В НАДІЙНОМУ МІСЦІ ДЛЯ ПОДАЛЬШОГО ВИКОРИСТАННЯ**





## ТЕХНІЧНІ ХАРАКТЕРИСТИКИ

Назва моделі	GS404A
Потужність мультиварки (Вт)	1300
Температура в мультиварці (градуси Цельсія)	80 °C – 200 °C
8 програм автоматичного приготування	Картопля фрі, яловичина, овочі, маленька курка, бекон, риба, картопля, піца
2 функції	Підігрів, приготування з заморожених продуктів
Місткість (літри)	4,0
Панель керування	Цифрова з обертовою ручкою
Покриття кошика для обсмажування	Антипригарне
Розміри кошика для обсмажування (діаметр x висота), мм	Ø190 x 50
Покриття внутрішньої чаші	Антипригарне
Розміри внутрішньої чаші (діаметр x висота), мм	200 x 120
Довжина шнура живлення (мм)	900
Рівень шуму (дБ)	55 – 62
Споживана потужність (Вт)	1300
Вимоги до живлення	220 – 240 В, 50 Гц
Споживана потужність у режимі очікування (Вт)	<0.5
Розміри (Ш x В x Г), мм	261 x 338 x 327
Маса, кг	4,5

Цей виріб відповідає чинним регламентам і стандартам Великої Британії та ЄС.

У РАМКАХ ПОЛІТИКИ ПОСТІЙНОГО ВДОСКОНАЛЕННЯ МИ ЗАЛИШАЄМО ЗА СОБОЮ ПРАВО БЕЗ ПОПЕРЕДЖЕННЯ ЗМІНЮВАТИ КОНСТРУКЦІЮ ТА ТЕХНІЧНІ ХАРАКТЕРИСТИКИ ОБЛАДНАННЯ.

# МУЛЬТИПІЧ І ЇЇ ПРИЛАДДЯ

**Перш ніж починати користуватися мультипіччю, ознайомтеся з її функціями і додатковим приладдям:**

**Внутрішня чаша:** ставте у внутрішню чашу кошик для обсмажування, а потім чашу в мультипіч.

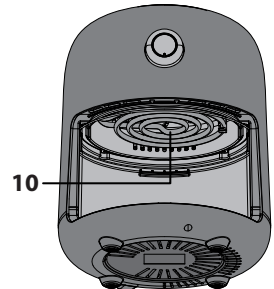
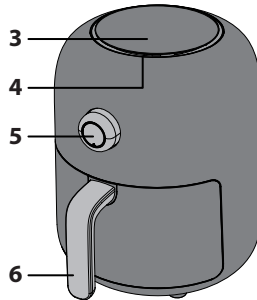
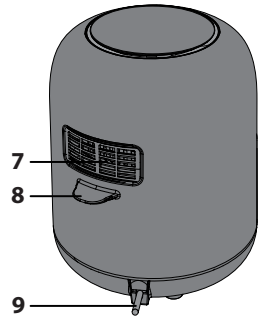
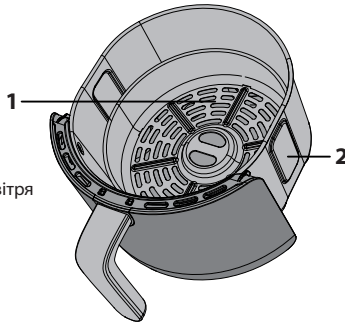
**Кошик для обсмажування:** закладайте продукти у кошик для обсмажування, перш ніж ставити його у внутрішню чашу.

**ПРИМІТКА:** щоб внутрішня чаша не впала на підлогу, перед вийманням кошика для обсмажування її слід поставити на стійку поверхню.

**Отвір для випускання повітря:** з нього під час роботи мультипічі виходить потік гарячого повітря (це нормальне явище). Не підводьте руки й не нахиляйтесь обличчям до цього отвору, щоб не обпектись.

**Ручка:** використовується для виймання і встановлення в мультипіч внутрішньої чаші з кошиком для обсмажування.

1. Кошик для обсмажування
2. Внутрішня чаша
3. Панель керування
4. Повітрязабірник
5. Обертova ручка
6. Ручка кошика для обсмажування
7. Отвір для випускання повітря
8. Ручка для тримання
9. Шнур живлення
10. Нагрівний елемент



## СХЕМА РУХУ ПОВІТРЯ

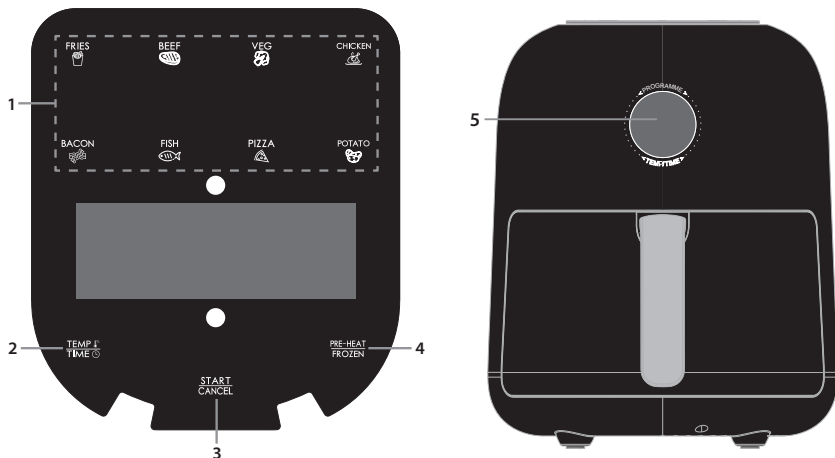
Під час приготування їжі гаряче повітря від нагрівного елемента рухається, як показано на рисунку нижче.

Завдяки цьому продукти протягом встановленого часу рівномірно прогріваються до заданої температури. Не використовуйте жодні матеріали, здатні перешкоджати цьому потоку повітря, наприклад металеву фольгу, і не переповнюйте кошик для обсмажування.



## ПАНЕЛЬ КЕРУВАННЯ

- Кнопки автоматичного приготування** – програми автоматичного приготування, дозволяють вибрати один із 8 варіантів.
- Temperature/Time (Температура/час)** – встановлення температури і часу вручну.
- Start/Cancel (Пуск/Скасувати)** – початок роботи мультиварки або скасування/призупинення роботи.
- Pre-Heat/Frozen (Підігрів/Заморожені продукти)** – попередній підігрівання мультиварки до потрібної температури чи приготування з заморожених продуктів.
- Обертюва ручка** – налаштування часу й температури.



## ПІДГОТОВКА МУЛЬТИПЕЧІ ДО ВИКОРИСТАННЯ

Повністю розпакувавши мультиварку і усунувши з неї всі пакувальні матеріали, перед початком користування нею рекомендується вимити внутрішню чашу і кошик для обсмажування гарячою водою з милом або в посудомийній машині. Після цього слід ретельно висушити все приладдя і скласти мультиварку. Перед користуванням витріть вологою тканиною і просушіть зовнішню поверхню корпусу та внутрішні деталі. Підключіть прилад до електромережі та налаштуйте його на приготування картоплі фрі (не кладіть у нього їжу). Прилад увімкнеться за температури 180°C на 23 хвилини, що дасть змогу випаруватися залишкам, які могли прилипнути до нагрівального елемента під час виробництва. Перш ніж починати користуватися приладом, рекомендується повністю прочитати цю інструкцію.

# ІНСТРУКЦІЯ З ЕКСПЛУАТАЦІЇ

**Мультипіч має декілька режимів роботи:**

**Автоматичне приготування** — можна вибрати одну з 8 наперед заданих програм приготування.

**Приготування з заморожених продуктів** — приготування з заморожених продуктів (тільки овочі, піца і картопля фри).

**Підігрівання** — розігрівання мультипічі до потрібної температури перед приготуванням.

**Зауваження щодо приготування**

- Кошик для обсмажування має бути заповнений продуктами не більше, ніж на 4/5 об'єму.
- Під час приготування можна змінювати температуру і тривалість.
- Щоб призупинити приготування, витягніть внутрішню каструлю з пристрою; коли ви вставите її назад, пристрій автоматично запуститься.
- Щоб припинити приготування, слід натиснути кнопку **START/CANCEL** (ПУСК/СКАСУВАТИ) двічі.
- Під час приготування деякі страви потрібно перемішувати/струшувати: Витягніть внутрішню каструлю з пристрою, перемішайте/струсіть за необхідності, а потім поверніть внутрішню каструлю у фритюрницю; фритюрниця автоматично перезапуститься.
- Переконайтесь у тому, що страва добре приготувалася. Якщо вона не готова, поверніть чашу на місце і продовжте її приготування.
- Щоб внутрішня чаша не впала на підлогу, перед вийманням кошика для обсмажування її слід поставити на жаростійку поверхню, що не хитається.
- У мультипічі продукти можна тільки смажити чи пекти.
- Використовувати її для смаження у фритюрі НЕ МОЖНА.

## Автоматичне приготування

Щоб користуватися мультипіччю було легко і зручно, у ній передбачено 8 програм автоматичного приготування. Їх легко запустити, натиснувши відповідну кнопку на панелі керування.

Нижче наведено приклад приготування яловичини. Змінювати температуру чи час не потрібно, хіба що ви бажаєте, щоб страва була просмажена більше чи менше.



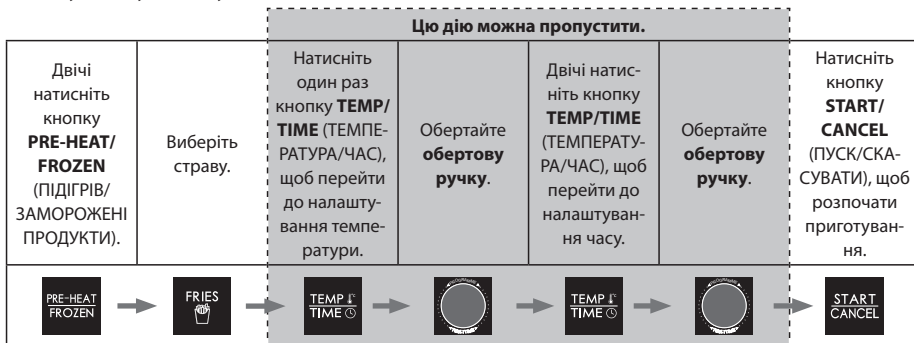
1. Розкласти продукти у кошику для обсмажування слід рівномірно.
2. Поставте кошик для обсмажування у внутрішню чашу, а чашу — у мультипіч.
3. Увімкніть мультипіч в електричну розетку.
4. Виберіть потрібну страву, натиснувши на панелі керування кнопку автоматичного приготування. На світлодіодному дисплеї почнуть блимати значення температури і часу за замовчуванням.
  - a. Якщо потрібно, натисніть один раз кнопку **ТЕМП/TIME** (ТЕМПЕРАТУРА/ЧАС) і встановіть потрібне значення температури, обертаючи **обертову ручку**.
  - b. Якщо потрібно, натисніть кнопку **ТЕМП/TIME** (ТЕМПЕРАТУРА/ЧАС) двічі і встановіть потрібне значення часу, обертаючи **обертову ручку**.
5. Натисніть один раз кнопку **START/CANCEL** (ПУСК/СКАСУВАТИ), щоб розпочати приготування; на дисплеї відобразиться зворотний відлік часу.
6. Коли приготування закінчиться, мультипіч подасть звуковий сигнал і перейде в режим очікування.
7. Обережно вийнявши за ручку внутрішню чашу, одразу ж висипте готову страву з кошика для обсмажування, інакше страва продовжуватиме смажитись і висихати під дією залишкового тепла.

**Примітка.** Змінюючи тривалість у програмах автоматичного приготування, її можна продовжити не більше, ніж на 30 %. Це обмеження встановлено, щоб запобігти пересмажуванню страви.

Страва	Маса	Початкова температура продуктів	Час приготування	Максимальне збільшення тривалості	Перевертання	Час приготування з заморожених продуктів	Температура	Примітки
Картопля фрі	200 г – 500 г	Кімнатна температура	15 – 20	23	Так	26	180	Do not overload the pot.
Яловичина	150 г – 500 г		8 – 12	16	Так	-	200	Можна приготувати до 270 г біфштексів
Овочі	100 г – 400 г		10	13	Так	14	190	Cut up vegetables into pieces 2 x 3cm.
Курятина	800 г – 1000 г		30	39	Так	-	190	Курка ціла чи великими кавалками
Бекон	4 – 6 скиб		9	12	-	-	180	Рівномірно розкласти скиби бекона у кошику для обсмажування
Риба	100 г – 500 г		12	16	Так	-	200	Place fish pieces directly onto the base of the frying basket.
Картопля	Масою по 250 г		40	52	Так	-	200	Покладіть у кошик для обсмажування до 3 картоплин масою по 250 г
Піца	100 г – 400 г		13	17	-	18	160	Place whole or pizza pieces directly in the frying basket.

## Приготування з заморожених продуктів

Щоб готувати з заморожених продуктів, слід дотримуватись вказівок щодо автоматичного приготування, тільки спочатку натиснути кнопку **FROZEN** (ЗАМОРОЖЕНЕ).



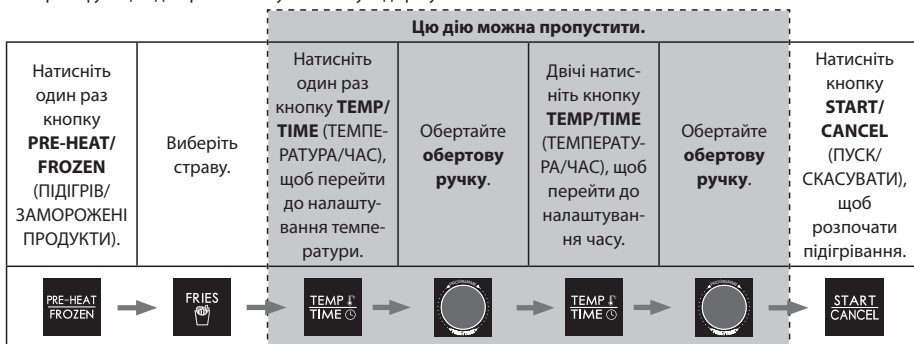
- Розкласти продукти у кошику для обсмажування слід рівномірно.
- Поставте кошик для обсмажування у внутрішню чашу, а чашу — у мультипіч.
- Увімкніть мультипіч в електророзетку.
- Двічі натисніть кнопку **PRE-HEAT/FROZEN** (ПІДІГРІВ/ЗАМОРОЖЕНІ ПРОДУКТИ).
- Виберіть потрібну функцію, натиснувши на панелі керування кнопку функції. На світлодіодному дисплеї почнуть блимати значення температури і часу за замовчуванням.
  - Якщо потрібно, натисніть один раз кнопку **TEMP/TIME** (ТЕМПЕРАТУРА/ЧАС) і встановіть потрібне значення температури, обертаючи **обертову ручку**.
  - Якщо потрібно, натисніть кнопку **TEMP/TIME** (ТЕМПЕРАТУРА/ЧАС) двічі і встановіть потрібне значення часу, обертаючи **обертову ручку**.
- Натисніть один раз кнопку **START/CANCEL** (ПУСК/СКАСУВАТИ), щоб розпочати приготування; на дисплеї відобразиться зворотний відлік часу.
- Коли приготування закінчиться, прилад подасть звуковий сигнал і перейде в режим очікування.
- Натисніть кнопку відкриття та, обережно вийнявши за ручку внутрішню чашу, висипте готову страву з кошика.

З заморожених продуктів можна готувати тільки **КАРТОПЛЮ ФРІ, ОВОЧІ** та **ПІЦУ**.

Готуючи страви з інших заморожених продуктів, слід дотримуватись рекомендацій щодо ручного приготування.

## Підігрів

Щоб мультипеч розігрілася до оптимальної температури для приготування потрібної страви, перед приготуванням в автоматичному чи ручному режимі слід скористатися функцією підігріву. Для цього слід перед вибором функції один раз натиснути кнопку підігріву.



1. Поставте кошик для обсмажування у внутрішню чашу, а чашу — у мультипеч.
2. Увімкніть мультипеч в електричну розетку.
3. Натисніть один раз кнопку **PRE-HEAT/FROZEN** (ПІДІГРІВ/ЗАМОРОЖЕНІ ПРОДУКТИ).
4. Виберіть потрібну страву, натиснувши на панелі керування відповідну кнопку автоматичного приготування. На світлодіодному дисплеї почнуть блимати значення температури й часу за замовчуванням.
  - a. Якщо потрібно, натисніть один раз кнопку **TEMP/TIME** (ТЕМПЕРАТУРА/ЧАС) і встановіть потрібне значення температури, обертаючи **обертову ручку**.
  - b. Якщо потрібно, натисніть кнопку **TEMP/TIME** (ТЕМПЕРАТУРА/ЧАС) двічі і встановіть потрібне значення часу, обертаючи **обертову ручку**.
5. Натисніть кнопку **START/CANCEL** (ПУСК/СКАСУВАТИ).
6. Коли прилад набере задану температуру, він подасть звуковий сигнал.
7. Вийміть внутрішню чашу й рівномірно розкладіть продукти у кошик для обсмажування.
8. Поверніть внутрішню чашу з кошиком для обсмажування в мультипеч.
9. Фритюрниця автоматично увімкнеться, і почнеться зворотний відлік часу.
10. Коли приготування закінчиться, прилад подасть звуковий сигнал і перейде в режим очікування.
11. Витягніть внутрішню каструлю і пам'ятайте, що поведіться з нею обережно і негайно виймайте їжу з фритюрниці, інакше тепло, що залишилося у фритюрниці, продовжуватиме готувати їжу і пересушувати її.

## ПОВОРОТНИЙ ПЕРЕМИКАЧ

Ручка поворотного перемикача мультипечі має декілька функцій, деякі з них дублюють кнопки на панелі керування.

Після увімкнення в електромережу мультипечі входить у режим налаштування функцій, і на дисплеї відображається температура і час для першої програми режиму автоматичного приготування.

Щоб вибрати потрібне меню автоматичного приготування, потрібно, коли на дисплеї блиматиме номер потрібної програми, натиснути ручку поворотного перемикача посередині. Якщо температура і час, відображені на дисплеї, вас влаштовують, натисніть на верхній панелі керування кнопку **START/CANCEL** (ПУСК/СКАСУВАТИ), щоб розпочати приготування.

Якщо потрібно, температуру і час вибраного меню можна змінити, перш ніж починати приготування натисканням кнопки **START/CANCEL** (ПУСК/СКАСУВАТИ).

1. Натисніть ручку — почне блимати дисплей температури.
2. Поверніть ручку, щоб установити потрібну температуру приготування.
3. Натисніть ручку, щоб підтвердити налаштування температури. Почнуть блимати цифри часу.
4. Поверніть ручку, щоб установити потрібну тривалість приготування.

5. Натисніть ручку посередині, щоб розпочати процес приготування.

Щоб скасувати приготування, потрібно натиснути ручку посередині.

## ОБСЛУГОВУВАННЯ В ПЕРІОД КОРИСТУВАННЯ

Під час користування мультипіч не потребує великого обсягу обслуговування. Щоб вона довго й безвідмовно служила, її слід очищати після кожного приготування їжі.

Ця мультипіч не містить деталей, призначених для обслуговування користувачем. Не намагайтеся відремонтувати її самотужки. Мультипіч є досить надійним виробом, проте якщо вона все ж таки вийде з ладу, зверніться у службу підтримки компанії SHARP, координати якої наведено на початку цього посібника користувача.

## ВКАЗІВКИ ЩОДО ЧИЩЕННЯ

**УВАГА!** Щоб запобігти ризику ураження електричним струмом, НЕ ЗАНУРЮЙТЕ МУЛЬТИПІЧ У ВОДУ ЧИ БУДЬ-ЯКІ ІНШІ РІДИНИ.

Щоб мільтипіч довго і безвідмовно працювала, її слід регулярно очищувати. Також регулярне очищення запобігає ризику пожежі. Під час чищення слід дотримуватися таких вказівок:

1. Вийміть вилку живлення з електророзетки. Почекайте, доки мультипіч охолоне.
2. Кошик для обсмажування і внутрішню чашу слід протирати тканиною, змоченою в мильному розчині. Для цього обов'язково слід користуватися нейтральним мильним розчином розчином. Якщо усунути плями на кошику чи внутрішній чаші дуже важко, замочіть ці деталі у теплій воді приблизно на 10 хвилин.
3. Очистьте нагрівні елементи сухою м'якою тканиною.
4. Протріть зовнішню поверхню мультипечі м'якою вологою, а потім сухою тканиною.

**УВАГА!** НЕ КОРИСТУЙТЕСЯ АБРАЗИВНИМИ ЗАСОБАМИ ЧИ БУДЬ-ЯКИМИ МАТЕРІАЛАМИ, здатними дряпати поверхню, для чищення кошика для обсмажування чи внутрішньої чаші. Обов'язково використовуйте лише нейтральний мильний розчин. Абразивні засоби для чищення, жорсткі щітки чи хімічні засоби для чищення пошкоджують покриття цих деталей.

Якесь додаткове обслуговування, крім рекомендованого чищення, не потрібне.

Будь-які інші роботи з обслуговування проводяться в авторизованому сервісному центрі.

## ЗБЕРІГАННЯ

Перш ніж укласти на зберігання, вимкніть мультипіч із розетки, зачекайте, доки вона охолоне й очистьте її. Зберігайте мультипіч у її коробці в сухому чистому місці. Ставити її на зберігання, не дочекавшись, доки вона охолоне, або не вимкнувши з розетки, заборонено. Також заборонено туго обмотувати шнур живлення довкола корпусу мультипечі. Не перегинайте шнур живлення у місці його входження в корпус — він може перетертись і зламатися.

Ставлячи мультипіч на тривале зберігання, переконайтесь у тому, що вона чиста і в ній немає залишків продуктів. Зберігайте мультипіч у сухому місці, наприклад на столі, стільниці чи полиці шафи.

# ПОШУК І УСУНЕННЯ НЕСПРАВНОСТЕЙ

Якщо мультипіч не працює належним чином, дотримуйтесь вказівок, які подано нижче.

Мультипіч не працює	Прилад не увімкнений у розетку або вимикачем.	Переконайтесь у тому, що вилка вставлена в електророзетку, а прилад увімкнений.
	Не встановлено час або температуру.	Задайте час і температуру, а потім натисніть кнопку <b>START/CANCEL</b> (ПУСК/СКАСУВАТИ).
	Внутрішня чаша не зафіксована у приладі належним чином	Вставте внутрішню чашу в мультипіч до клацання.
Приготовані в мультипечі продукти недосмажені.	У кошику для обсмажування забагато продуктів.	Кладіть продукти у кошик меншими порціями — вони просмажуватимуться рівномірніше.
	Задана температура занадто низька.	Задайте необхідне значення температури.
	Замала тривалість приготування.	Задайте необхідну тривалість приготування.
Страви, приготовані у мультипечі, не виходять хрусткими.	Ви готували продукти, призначені для приготування у звичайній фритюрниці.	У мультипечі слід готувати продукти, призначені для приготування в духовці, або ж наносити пензликком на продукти тонкий шар олії, щоб страва вийшла хрусткішою.
Внутрішня чаша з кошиком для обсмажування погано вставляється або зовсім не входить у мультипіч.	У кошику для обсмажування забагато продуктів.	Не переповнюйте кошик для обсмажування.
	Кошик для обсмажування не вставляється у внутрішню чашу.	Притисніть кошик для обсмажування у внутрішній чаші донизу аж до легкого клацання.
Із приладу виходить білий дим.	Для приготування використовуються жирні компоненти.	Під час приготування в мультипечі жирних компонентів у чашу витікає багато жиру. Цей жир може утворювати білий дим, а чаша може перегріватися. Це не впливає ні на стан приладу, ні на кінцевий результат.
	У внутрішній чаші залишився жир після приготування попередньої страви.	Білий дим утворюється через нагрівання жиру у внутрішній чаші; після приготування кожної страви кошик для обсмажування і внутрішню чашу обов'язково слід мити.
Свіжа картопля фрі просмажується в мультипечі нерівномірно.	Використовується картопля невідповідного сорту.	Використовуйте сиру картоплю і переконайтесь у тому, що під час смаження вона залишається твердою.
	Шматочки картоплі не було добре промито перед смаженням.	Ретельно промийте нарізану соломкою картоплю, щоб змити з її поверхні крохмаль.
Щойно обсмажена в мультипечі картопля фрі не виходить хрусткою.	Хрусткість картоплі фрі залежить від кількості і типу олії, а також від кількості води на поверхні шматочків картоплі.	Перш ніж додавати олію, обов'язково добре просушіть нарізану соломкою картоплю.
		Щоб картопля фрі була хрусткішою, нарізуйте її соломкою тонше.
		Щоб картопля фрі була хрусткішою, додавайте трохи більше олії.

Якщо усунути проблеми в роботі не вдалося, зверніться у службу підтримки компанії SHARP, координати якої наведено на початку цього посібника користувача.











Sharp Consumer Electronics Poland sp. z o.o.  
Ostaszewo 57B, 87-148 Łysomice, Poland

SHARP CORPORATION  
1 Takumi-cho, Sakai-ku  
Sakai City, Osaka  
590-8522, Japan

SDA/MAN/0284 V9

[www.sharpconsumer.eu](http://www.sharpconsumer.eu)

**SHARP**